

**INSTALLATION
INSTRUCTIONS**

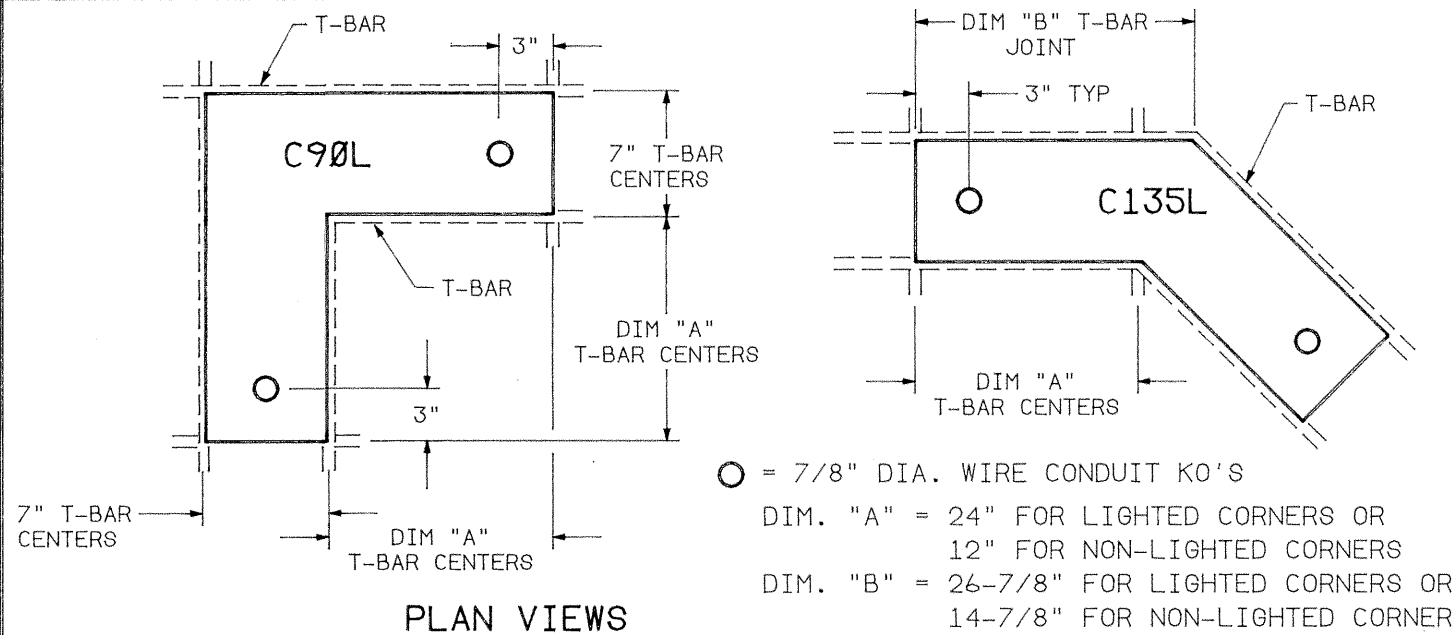
CORNER TYPE _____

**LG-D-66N00 LIGHTED AND
NON-LIGHTED CORNERS**

PART
NO. **510145-2000**

PG. 1
OF 2

DO NOT MODIFY OR ALTER THIS PRODUCT IN ANY WAY, OR INSTALL IN ANY FASHION WHICH IS CONTRARY TO THE INSTRUCTIONS CONTAINED HEREIN.
IF YOU HAVE ANY QUESTIONS REGARDING THIS PRODUCT OR THE INSTALLATION OF IT, PLEASE CALL LITECONTROL ENGINEERING AT 781-294-0100

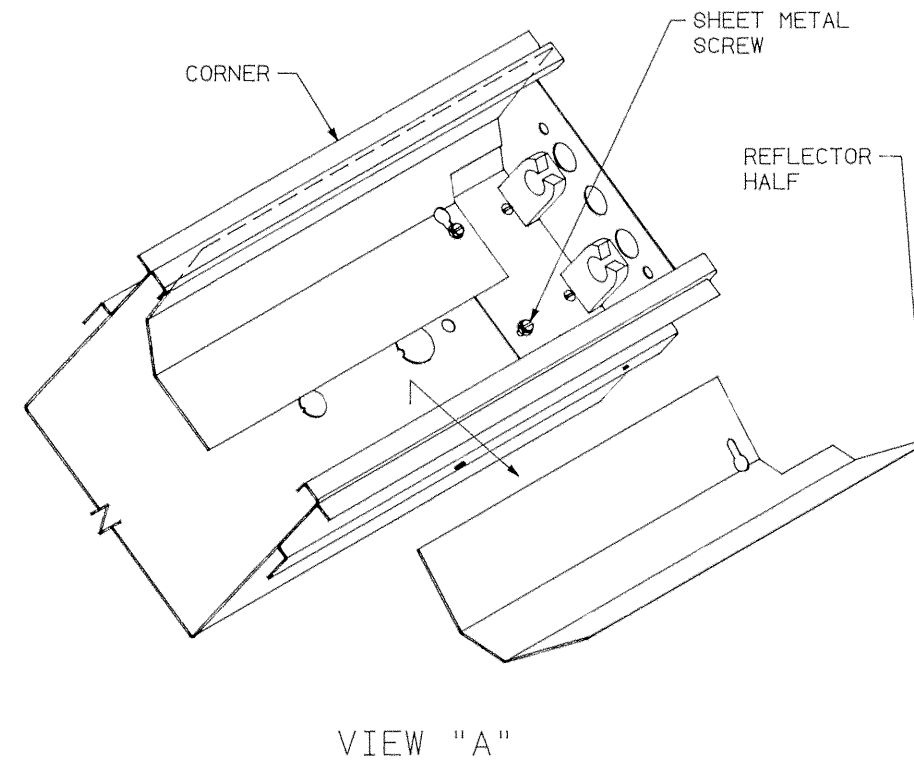
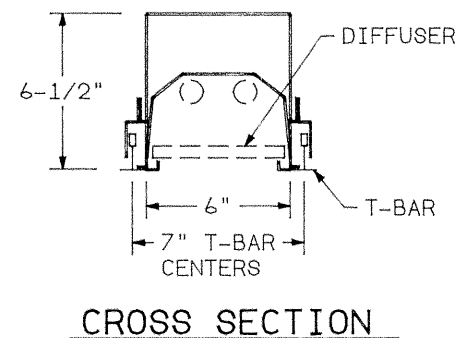


GENERAL NOTES: DIAGRAMS SHOWN ARE FOR LIGHTED CORNERS; NON-LIGHTED CORNERS ARE INSTALLED IN A SIMILAR MANNER.

- A) (READ SHEETS COMPLETELY BEFORE STARTING)
To protect finish from damage, leave wrapping material on corner until installed.
- B) All Ceiling T-bars must be installed prior to installation of fixtures and corners.
- C) Corners are installed first, before fixtures.

INSTRUCTIONS:

1. Remove Reflector Halves from corner by loosening (8) sheet metal screws and shifting them out thru keyholes. See View "A".
2. Remove a 7/8" KO. at wire feed location in top of corner as shown in Plan View above.
3. Lift corner up into ceiling plenum and seat Side Rails onto main T-bars. Attach T-bar Retaining Clips (shipped separately) to each Side Rail with (2) sheet metal screws. (4) brackets are required for each corner: See View "B" on page 2.
1/4" holes have been provided in the side rails for supplementary chain or wire support as may be required by local codes.
- E) Bring wire feed thru KO and make connections in wireway.



4. MOUNTING CORNER TO ADJACENT FIXTURES:

NOTE: Corners are mounted to Intermediate (INT) type fixtures only.

- A) Lift an Intermediate fixture up into ceiling opening and abutt the corner. Loosely bolt this fixture to corner with (4) 1/4-20 x 3/8" long machine screws and nuts thru end headers: See View "B".
 - B) Press a Spine (found in polybag) into each bottom rail at row joint for alignment.
 - C) Level each fixture and align seams at row joint before tightening all screws.
 - D) Attach (2) more T-Bar Retaining Clips at row joint.
Repeat step 4 for installing (INT) fixture against opposite leg of corner.
5. Bring wire feed thru the 7/8" holes in the end headers and make connections.
 6. Replace all Reflector Halves and remove all wrapping material.
 7. Clean fixture exteriors with a general window cleaner.
Install lamps (by others).

INSTALLATION INSTRUCTIONS

PART NO. 510145-2000

CORNER TYPE _____

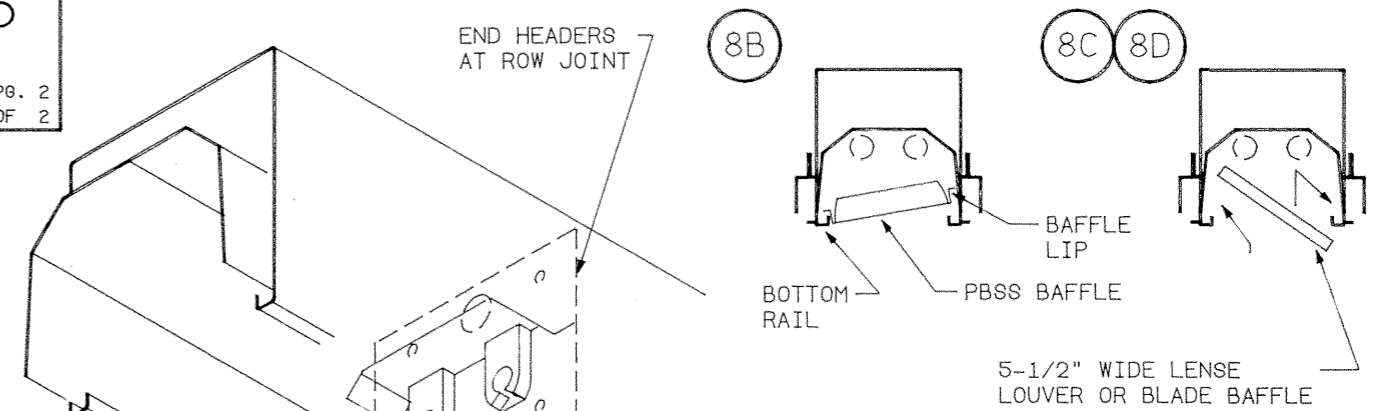
LG-D-66N00 LIGHTED AND NON-LIGHTED CORNERS

Pg. 2 OF 2

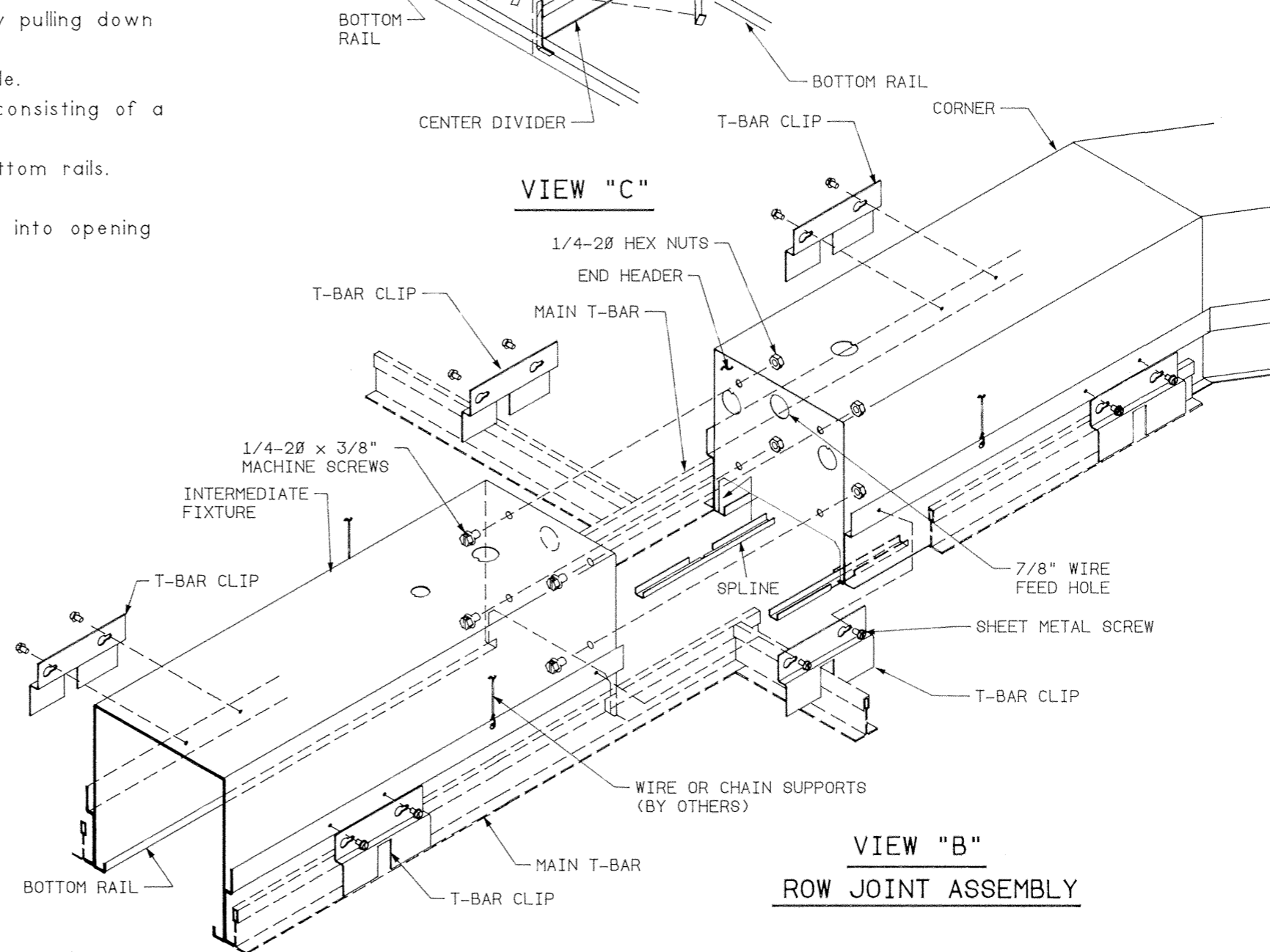
8. DIFFUSER INSTALLATION:

Use caution when installing diffusers to prevent lamp damage.

- A) Center Dividers (found in polybag) are used at each row joint ONLY when Plastic lenses or Louvers are used. Insert Center Divider up thru bottom opening of fixture, rotate into place and then pull down into bottom rails or Splines until seated; See View "C".
- B) PARABOLIC BAFFLES (PBSS or PBSG) are supplied in (3) pieces consisting of a mitred corner baffle and (2) straight leg baffles. Shift mitred baffle into opening first and lower into place by pulling down on baffle until lip sits on bottom rails. Shift each leg baffle into opening and abutt the mitred baffle.
- C) BLADE BAFFLES (BW, BB, BA, BZ) are supplied in (3) pieces consisting of a mitred corner baffle and (2) straight leg baffles. Shift mitred baffle into opening first and rest on top of bottom rails. Shift each leg baffle into opening and abutt mitred baffle.
- D) LENSES and LOUVERS are supplied in (2) mitred halves. Shift into opening and rest on top edge of bottom rails. Lenses are installed with smooth side up.



DIFFUSER INSTALLATION



**VIEW "B"
ROW JOINT ASSEMBLY**