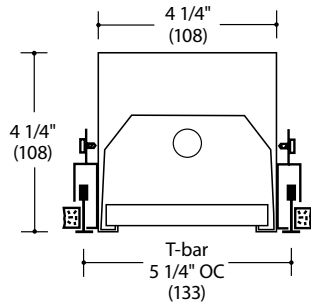




**LG-D-4400**



## Mod™

LG-D-4400, LG-D-4500

Exposed Grid Ceiling Recessed Direct

## Product Description

Recessed linear modular direct luminaire for exposed grid ceilings which offers a variety of shielding options. UL Listed. This fixture is Cradle to Cradle Silver Certified™ by MBDC.

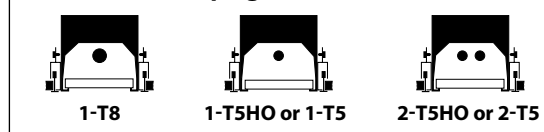
## Ordering Guide

Product, lamping, & length						Options								
LG -	D -	44	2	4	T5HO -	PBSS -	CWM -	IND -	LP/ELB -	TW -	2CWQ -	F -	120	
Mounting	Distribution	Series	Lamp Count	Nominal Length (ft)	Lamp Type	Baffle or Diffuser	Finish	Position	Ballast	Tandem Wiring	Circuiting	Other Options	Volts	
LG Recessed (exposed grid ceiling)	D Direct	44 45	1 → 2 →	2 →	T8	BW PBSS SGL  see Baffle and Diffuser options	CWM (matte white) is standard	IND (T8 available in 6', 8' only) INT EOR  see Position Options	ELB10 is std. for T8 LP/ELB is std. for T5 or T5HO	DA/MK7 DL/ECO DO/HEL  see Ballast Options	-- →	1CWQ	CCEA F LP/EF see Other Options	120 277
			1 → 3 →	3 →							TW →	2CWQ		
			1 → 4 →	4 →										
			2 → 6 →	6 →										
			2 → 8 →	8 →										
			1,2 → 2 →	2 →							T5HO			
			1,2 → 3 →	3 →							T5			
			1,2 → 4 →	4 →										
			2,4 → 6 →	6 →										
			2,4 → 8 →	8 →										
			see notes											

**notes:**  
Lamp count = total number of lamps in the fixture  
Tandem wiring not available for one-lamp cross-section fixtures  
For ordering guide information in shaded areas, choose selection by reading ACROSS the shaded areas for correct specifications.

**LG-D-4424T5HO-PBSS-CWM-IND-LP/ELB-TW-2CWQ-F-120** is a typical catalog number for a 2-lamp (2 lamps in cross-section), 4-foot long high-output T5 fixture, with semi-specular parabolic baffle, matte white finish, individual fixture, low-profile electronic ballast, tandem-wired, pre-wired with two-circuit branch wiring and quick-connects, fuse, 120 volts.

### Cross-section lamping



## Baffle & Diffuser Options

**BW** Blade baffles, matte white finish. 3/8" high x 1/2" OC, steel, regressed.  
**PBSS** Parabolic semi-specular baffles. 1 13/32" high x 2" OC, anodized aluminum.  
**SGL** Soft glow lens. Extruded, frosted acrylic, flush to bottom of fixture housing.

## Position Options

**IND** Individual fixture.  
**INT** Interior fixture in a row.  
**EOR** End-of-run fixture in a row.

## Ballast Options

Specify in place of **ELB10** or **LP/ELB**, contact factory for availability/compatibility with lamping:

**DA/MK7** Advance Mark VII dimming ballast.  
**DL/ECO** Lutron ECO-10 dimming ballast.  
**DO/HEL** Osram Sylvania dimming ballast.

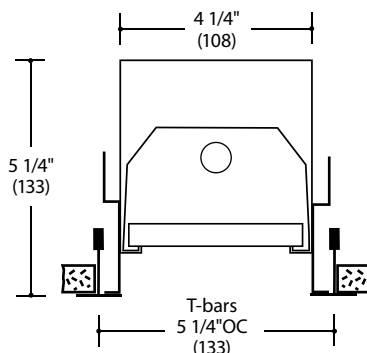
## Tandem Wiring & Circuiting Options

**1CWQ** Fixture is wired with a single-circuit so that all lamps are switched together.  
**TW-2CWQ** Fixtures wired with two circuits. 2-lamps in cross section, the fixture is wired such that the in-line lamps are switched separately.

## Other Options

**CCEA** City of Chicago Environmental Air Modification.  
**F** Fuse. Slow or fast blow, determined by Litecontrol.  
**LP/EF** Low-profile Emergency Fluorescent Ballast. Battery-powered ballast from a UL Listed manufacturer will operate one lamp for 1 1/2 hours.

**LG-D-4500**



### Questions to Ask

1. Row information, including desired fixture lengths?
2. Lamp type? 3. Ballast options?
4. Controls solutions? 5. Other options? 6. 120 or 277 volt?



**Specifications**

**HOUSING.** Die-formed and welded steel, with 3/8" regression at housing bottom for rigidity and appearance. Continuous mounting rail along sides, with bottom flange regressed 1/16", is used as lateral spacing aid between main T-bars, and allows clearance for T-bar supporting wires, and accepts mounting of side clips. Furnished with 6" long, steel splines for insertion at each side of housing at junction of fixtures in rows for precise alignment. End headers have clearance holes for easy row installation and are notched under lamps for more even diffuser luminance and continuous baffle appearance.

**REFLECTOR.** Die-formed steel with high-reflectance white finish.

**END CAPS.** Straddle T-bars and attach to ends of individual fixtures and ends of rows.

**BALLAST.** Electronic Ballast (**ELB10** - for T8 lamping) or Low-profile Electronic Ballast (**LP/ELB** - for T5 or T5HO lamping), high power factor, thermally protected Class P, Sound Rated A, less than 10% THD, manufactured by a UL Listed manufacturer, as available, determined by Litecontrol. Ballasts with a voltage range of 120 to 277 will be used when fixture configuration and ballast availability allow. The minimum number of ballasts will be used.

**LAMPING.** Available in one-lamp T8 and one- and two-lamp T5 or T5HO in cross-section. Easy baffle removal to access/replace lamps without tools.

**TANDEM WIRING.** When selected from Ordering Guide, fixtures wired to switch in-line lamps separately, providing two (two-lamp cross-section fixtures only) levels of light.

**CIRCUITING.** Fixtures are supplied with #12 AWG type THHN wire for branch circuits. One end will have factory-installed push-in quick-connects. The other end will be stripped back 1/2" for quick connection in field. For fixtures to accommodate special circuits such as night light and emergency, etc., in-field wiring will be required. See Pre-wiring Information for details.

**BALLAST DISCONNECT.** Fixture supplied with a ballast disconnect device to enable compliance with the NEC.

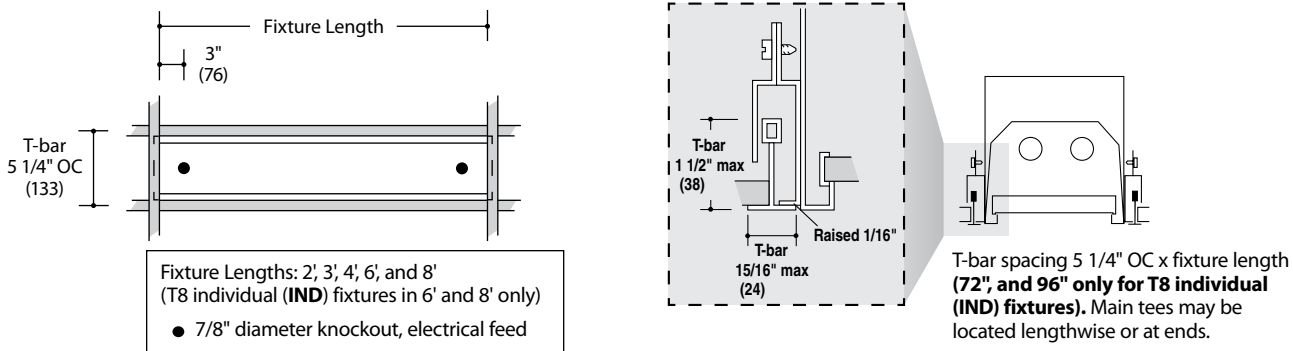
**MOUNTING.** For installation in exposed inverted T-bar grid ceilings (NEMA type G, 1 1/2" high T-bar) only. Side T-bar clips and T-bar end caps provided; field installed by contractor. Knockouts in housing top for wiring. Holes provided in mounting rail for S-hooks of chain supports or guy wires.

**SYSTEM CONNECTORS.** Lighted corners available. Die-formed and welded steel, with 3/8" regression at housing bottom. Baffles or diffusers furnished to match appearance of adjoining fixtures.

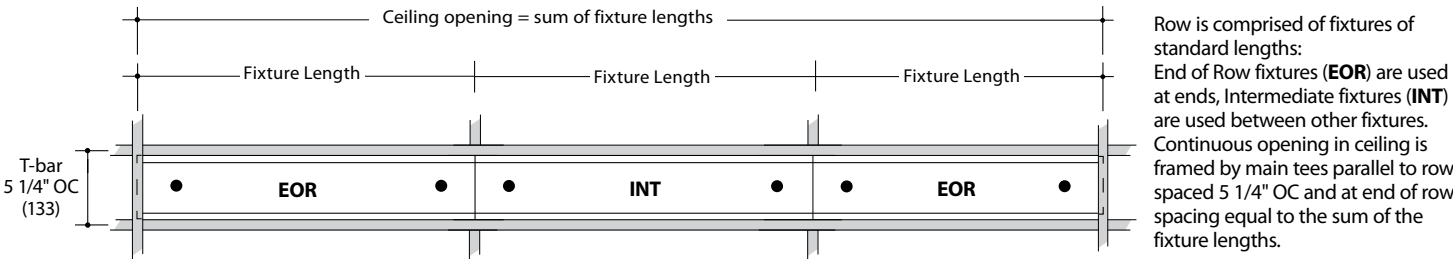
**CERTIFICATION.** Fixture and electrical components are UL and/or CUL Listed (UL LISTED), and bear the I.B.E.W., A.F. of L. label. This fixture is Cradle to Cradle Certified™ Silver by MBDC. Note: Litecontrol reserves the right to change specifications without notice for product development and improvement.

**Planning for installation**

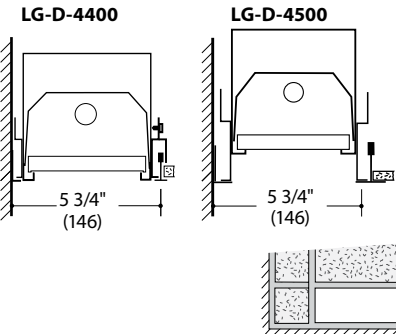
**Individual Fixtures (IND)**



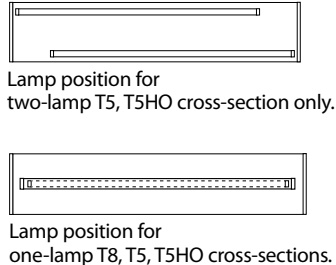
**Row fixtures - End of Row (EOR) Intermediate (INT)**



**Mounting at walls**



**Lamp Position**



LITECONTROL

100 Hawks Avenue Hanson, MA 02341  
781 294 0100 f: 781 293 2849 litecontrol.com



Cradle to Cradle Certified™ is a certification mark of MBDC.

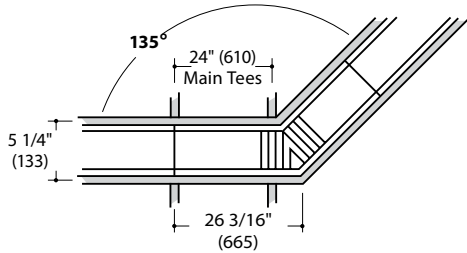
© 2011 LITECONTROL, TS10181-01

System connectors

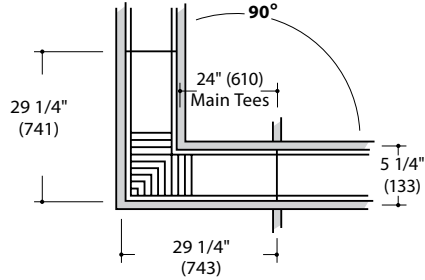
Product, lamping, & length							Options					
LG -	D -	44	2	2	C90L	T5HO-	PBSS -	CWM -	TW -	LP/ELB -	2CWQ-	120
Mounting	Distribution	Series	Lamp Count	Nominal Length (ft)	Angle	Lamp Type	Diffuser	Finish	Ballast	Tandem Wiring	Circuiting	Volts
LG Recessed (exposed grid ceiling)	D Direct	44 45	1 →	2 →	C90L C135L	T8	PBSS BW SGL  see Diffusers	CWM (matte white) is standard	ELB10 is std. for T8 LP/ELB is std. for T5 or T5HO  DA/MK7 DL/ECO DO/HEL  see Ballast Options	-- →	1CWQ	120 277
			1 →	2 →		T5HO T5				TW →	2CWQ	
			2 →	2 →								

LG-D-4422-C90L-T5HO-PBSS-CWM-TW-LP/ELB-2CWQ-120 is a typical catalog number for a 2-lamp (2 lamps in cross-section), 2-foot long high-output T5 90° lighted corner connector, with semi-specular parabolic baffle, matte white finish, tandem-wired low-profile electronic ballast, pre-wired with two-circuit branch wiring and quick-connects, 120 volts.

LG-D-4400 or 4500  
135° Lighted Corner  
C135L



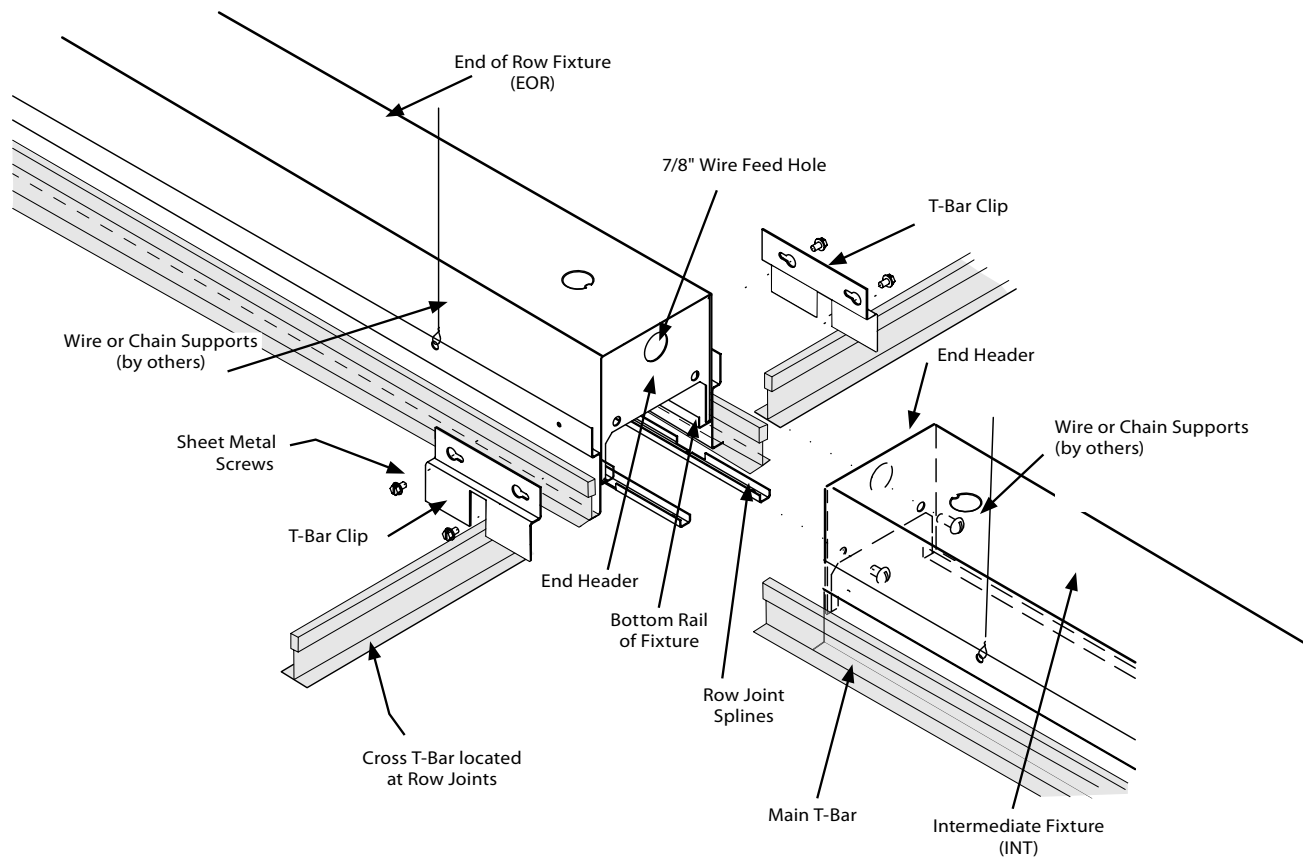
LG-D-4400 or 4500  
90° Lighted Corner  
C90L



Corners are of one-piece construction, ready to install, with diffusers that match adjoining fixtures. Fixtures cannot be butted to form corners.

## General notes for specifiers and contractors

1. Fixtures may be mounted in exposed grid ceilings, individually, or in rows.
2. Suffixes for individual fixtures (IND), row fixtures (INT, EOR) should be shown on electrical and reflected ceiling plans, together with fixture type designations and lengths. Example: B-EOR-2'; B-INT-6'; B-IND-4'. These will be shown on order processing and carton labeling, and will assist with on-the-job installation.
3. Electrical and ceiling contractors should both understand that this system is not a standard troffer construction (due to continuous light feature), so coordination between the two trades is essential.
4. All main tees and cross tees must be rigidly attached to each other (i.e. with angles and pop rivets, by others), so main tees will not twist or pivot under fixture weight. Additional supporting means may be necessary and required by local codes, to provide adequate support of ceiling grid in fixture areas. Knockouts are located in housing top for wiring. Access openings and cover plates are not provided.
5. Lighted corners (90° and 135°) are available. If lighted corners are part of the installation, corners should be installed before fixtures. Both fixtures and corners must be inserted up through adjacent grid opening. Clearance required between top of fixture and structure above varies with fixture length and ceiling opening. Cross tees may be temporarily removed if plenum height is restrictive.
6. Electrical contractor must attach T-bar clips, supplied by Litecontrol, after the fixtures have been installed.
7. Installation instructions for this fixture and all Litecontrol fixtures are available at [litecontrol.com](http://litecontrol.com). Instructions are also provided with every fixture shipment.



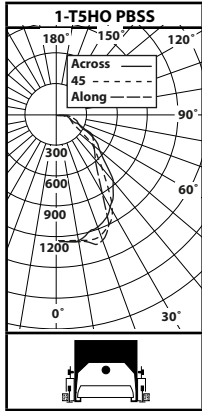
LITECONTROL

100 Hawks Avenue Hanson, MA 02341  
781 294 0100 f: 781 293 2849 [litecontrol.com](http://litecontrol.com)

Click on  
Quick Find **44lgd**  
**45lgd**  
[litecontrol.com](http://litecontrol.com)



Photometric data T5HO



CANDLEPOWER SUMMARY						
ANGLE	0	22.5	45	67.5	90	OUTPUT LUMENS
90	7	3	7	7	5	
85	7	5	7	5	5	7
80	7	7	5	3	5	
75	5	7	5	7	8	7
70	7	7	7	7	13	
65	8	5	20	44	57	40
60	33	39	76	161	234	
55	127	124	195	295	348	194
50	325	298	299	376	417	
45	545	537	405	421	436	360
40	734	763	525	482	475	
35	877	931	744	566	560	471
30	981	1041	1002	789	716	
25	1061	1103	1170	1093	1010	502
20	1119	1154	1235	1275	1254	
15	1171	1189	1243	1302	1308	350
10	1210	1210	1238	1263	1267	
5	1236	1223	1228	1245	1236	118
0	1230	1230	1230	1230	1230	

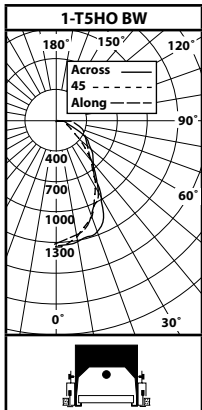
LG-D-4414T5HO-PBSS 45.4% Efficiency Litecontrol Certified Test Report #58016340																					
RCC	80				70				50				30				10				0
RW	70	50	30	10	70	50	30	10	50	30	10	50	30	10	50	30	10	50	30	10	0
0	.54	.54	.54	.54	.53	.53	.53	.53	.50	.50	.50	.48	.48	.48	.46	.46	.46	.45			
1	.51	.50	.48	.47	.50	.49	.48	.47	.47	.46	.45	.45	.44	.44	.44	.43	.42	.42			
2	.48	.46	.44	.42	.47	.45	.43	.41	.43	.42	.40	.42	.41	.40	.41	.40	.39	.38			
3	.45	.42	.39	.37	.44	.41	.39	.37	.40	.38	.36	.39	.37	.36	.38	.36	.35	.34			
4	.42	.38	.35	.33	.42	.38	.35	.33	.37	.34	.33	.36	.34	.32	.35	.33	.32	.31			
5	.40	.35	.32	.30	.39	.35	.32	.30	.34	.31	.29	.33	.31	.29	.32	.30	.29	.28			
6	.37	.32	.29	.27	.36	.32	.29	.27	.31	.28	.26	.30	.28	.26	.30	.28	.26	.25			
7	.35	.30	.26	.24	.34	.29	.26	.24	.29	.26	.24	.28	.26	.24	.27	.25	.24	.23			
8	.32	.27	.24	.22	.32	.27	.24	.21	.26	.23	.21	.26	.23	.21	.25	.23	.21	.20			
9	.30	.25	.21	.19	.29	.24	.21	.19	.24	.21	.19	.23	.21	.19	.23	.21	.19	.18			
10	.28	.23	.19	.17	.27	.22	.19	.17	.22	.19	.17	.21	.19	.17	.21	.19	.17	.16			

Floor Cavity Reflectance .20

ZONAL LUMEN SUMMARY			
ZONE	LUMENS	% LAMP	% LUMINAIRE
180-90°	0	.00	.00
90-0°	2044	45.44	100.00
180-0°	2044	45.44	100.00

LUMINANCE SUMMARY (fL)			
ANGLE	0°	45°	90°
45°	2235	1667	1796
55°	642	990	1767
65°	56	135	392
75°	56	56	92
85°	222	222	167



CANDLEPOWER SUMMARY						
ANGLE	0	22.5	45	67.5	90	OUTPUT LUMENS
90	5	7	5	5	7	
85	7	15	20	8	11	23
80	46	47	45	59	57	
75	88	86	86	96	111	101
70	137	130	137	150	195	
65	174	176	185	220	285	203
60	229	224	234	301	384	
55	282	286	299	371	464	298
50	338	338	377	444	519	
45	410	430	475	522	579	380
40	538	573	625	604	659	
35	695	722	799	787	787	482
30	839	857	957	1020	1028	
25	983	991	1087	1184	1235	501
20	1113	1113	1183	1287	1339	
15	1230	1228	1269	1349	1380	365
10	1336	1334	1357	1386	1393	
5	1419	1404	1419	1432	1420	135
0	1441	1441	1441	1441	1441	

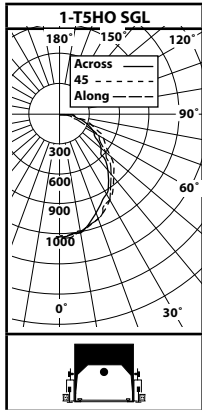
LG-D-4414T5HO-BW 55.2% Efficiency Litecontrol Certified Test Report #58016300																					
RCC	80				70				50				30				10				0
RW	70	50	30	10	70	50	30	10	50	30	10	50	30	10	50	30	10	50	30	10	0
0	.66	.66	.66	.66	.64	.64	.64	.64	.61	.61	.61	.59	.59	.59	.56	.56	.56	.55			
1	.61	.59	.57	.56	.60	.58	.56	.55	.56	.54	.53	.54	.53	.52	.52	.51	.50	.49			
2	.57	.53	.50	.48	.56	.52	.49	.47	.50	.48	.46	.49	.47	.45	.47	.46	.44	.43			
3	.53	.48	.44	.42	.52	.47	.44	.41	.46	.43	.41	.44	.42	.40	.43	.41	.39	.38			
4	.49	.44	.40	.36	.48	.43	.39	.36	.42	.38	.36	.40	.38	.35	.39	.37	.35	.34			
5	.45	.39	.35	.32	.44	.39	.35	.32	.38	.34	.31	.37	.33	.31	.36	.33	.31	.30			
6	.42	.36	.32	.29	.41	.35	.31	.28	.34	.31	.28	.34	.30	.28	.33	.30	.28	.27			
7	.39	.33	.29	.26	.39	.32	.28	.25	.32	.28	.25	.31	.27	.25	.30	.27	.25	.24			
8	.37	.30	.26	.23	.36	.29	.25	.23	.29	.25	.22	.28	.25	.22	.27	.24	.22	.21			
9	.34	.27	.23	.20	.33	.27	.23	.20	.26	.23	.20	.26	.22	.20	.25	.22	.20	.19			
10	.32	.25	.21	.18	.31	.25	.21	.18	.24	.20	.18	.24	.20	.18	.23	.20	.18	.17			

Floor Cavity Reflectance .20

ZONAL LUMEN SUMMARY			
ZONE	LUMENS	% LAMP	% LUMINAIRE
180-90°	0	.00	.00
90-0°	2483	55.20	100.00
180-0°	2483	55.20	100.00

LUMINANCE SUMMARY (fL)			
ANGLE	0°	45°	90°
45°	1681	1956	2384
55°	1424	1519	2353
65°	1195	1277	1961
75°	986	968	1244
85°	222	656	384



CANDLEPOWER SUMMARY						
ANGLE	0	22.5	45	67.5	90	OUTPUT LUMENS
90	7	7	3	5	7	
85	20	20	20	11	13	28
80	75	70	65	54	54	
75	135	124	117	106	104	126
70	205	197	174	168	158	
65	278	267	247	228	221	248
60	358	345	321	298	293	
55	443	430	397	373	366	361
50	532	519	483	451	441	
45	625	605	571	542	527	444
40	709	690	664	626	612	
35	800	781	747	718	701	470
30	883	859	832	807	789	
25	950	934	905	892	872	421
20	1009	989	974	965	950	
15	1053	1041	1030	1027	1015	292
10	1085	1079	1072	1072	1067	
5	1110	1098	1098	1100	1093	105
0	1109	1109	1109	1109	1109	

LG-D-4414T5HO-SGL 55.4% Efficiency Litecontrol Certified Test Report #58016990																					
RCC	80				70				50				30				10				0
RW	70	50	30	10	70	50	30	10	50	30	10	50	30	10	50	30	10	50	30	10	0
0	.66	.66	.66	.66	.64	.64	.64	.64	.62	.62	.62	.59	.59	.59	.57	.57	.57	.55			
1	.61	.59	.57	.55	.60	.58	.56	.54	.55	.54	.53	.53	.52	.51	.51	.50	.49	.48			
2	.56	.53	.49	.46	.55	.51	.48	.46	.49	.47	.45	.48	.46	.44	.46	.44	.43	.42			
3	.52	.47	.43	.40	.51	.46	.42	.39	.45	.41	.39	.43	.40	.38	.42	.39	.38	.36			
4	.48	.42	.38	.34	.47	.41	.37	.34	.40	.36	.34	.39	.36	.33	.38	.35	.33	.32			
5	.44	.38	.33	.30	.43	.37	.33	.29	.36	.32	.29	.35	.31	.29	.34	.31	.28	.27			
6	.41	.34	.29	.26	.40	.33	.29	.26	.32	.29	.26	.31	.28	.25	.31	.28	.25	.24			
7	.38	.31	.26	.23	.37	.30	.26	.23	.29	.25	.23	.29	.25	.22	.28	.25	.22	.21			
8	.35	.28	.23	.20	.34	.27	.23	.20	.27	.23	.20	.26	.22	.20	.25	.22	.20	.19			
9	.32	.25	.21	.17	.31	.25	.20	.17	.24	.20	.17	.23	.20	.17	.23	.20	.17	.16			
10	.30	.23	.18	.16	.29	.22	.18	.16	.22	.18	.15	.21	.18	.15	.21	.18	.15	.14			

Floor Cavity Reflectance .20

ZONAL LUMEN SUMMARY			
ZONE	LUMENS	% LAMP	% LUMINAIRE
180-90°	0	.00	.00
90-0°	2492	55.39	100.00
180-0°	2492	55.39	100.00

LUMINANCE SUMMARY (fL)			
ANGLE	0°	45°	90°
45°	2562	2350	2170
55°	2238	2014	1858
65°	1909	1704	1525
75°	1512	1314	1171
85°	654	656	440