

**INSTALLATION
INSTRUCTIONS**

FIXTURE TYPE _____

END CAP
W-A-3400

PART
NO. 510383-0000

PG. 1
OF 1

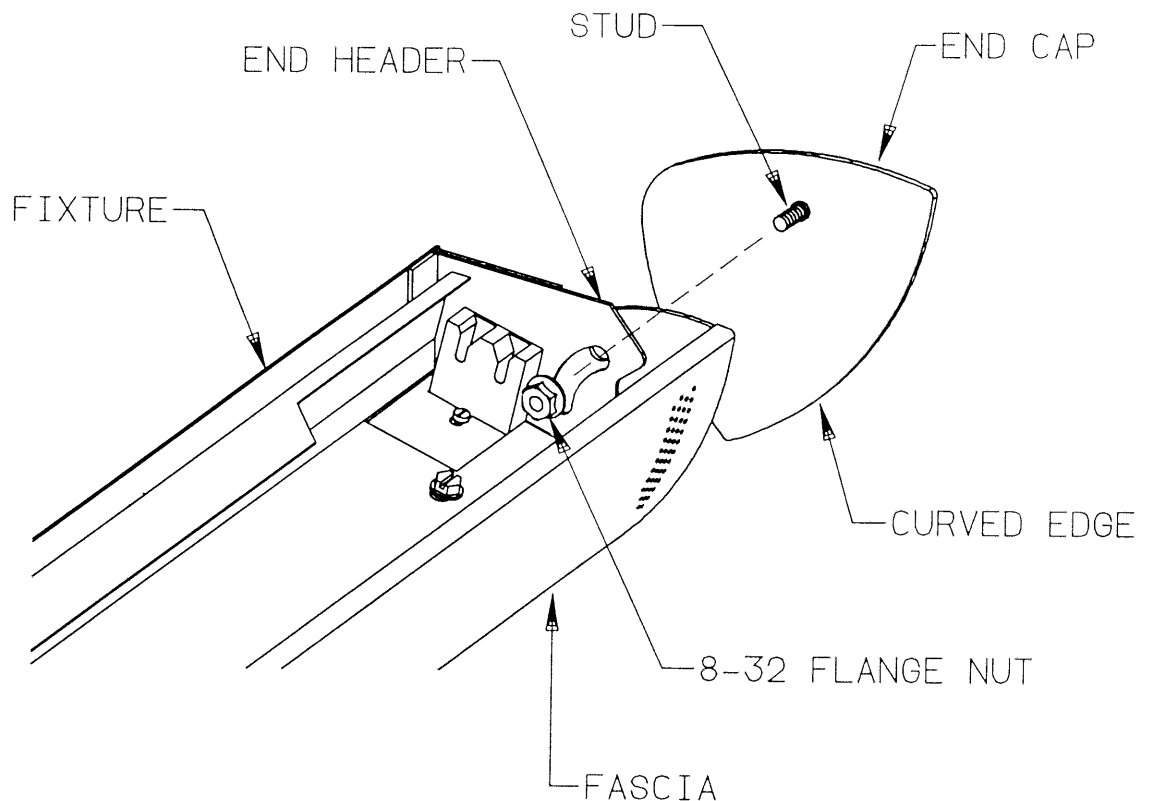
DO NOT MODIFY OR ALTER THIS PRODUCT IN ANY WAY, OR INSTALL IN ANY FASHION WHICH IS CONTRARY TO THE INSTRUCTIONS CONTAINED HEREIN.
IF YOU HAVE ANY QUESTIONS REGARDING THIS PRODUCT OR THE INSTALLATION OF IT, PLEASE CALL LITECONTROL ENGINEERING AT 781-294-0100.

GENERAL NOTES:

1. This installation sheet is used with fixture instruction sheet 510380.
2. Fascia's must be installed before attaching End Caps.
3. End Caps are installed at both ends of an individual fixture or at each end of a row of fixtures.

INSTRUCTIONS:

1. After Fascia's have been installed, insert End Cap stud thru end of fascia into fixture end header and loosely secure with 8-32 flange nut.
2. Align curved edge of End Cap with curved end of fascia and tighten nut.



LITECONTROL

100 HAWKS AVENUE - PO BOX 100 - HANSON MA 02341, (781-294-0100)