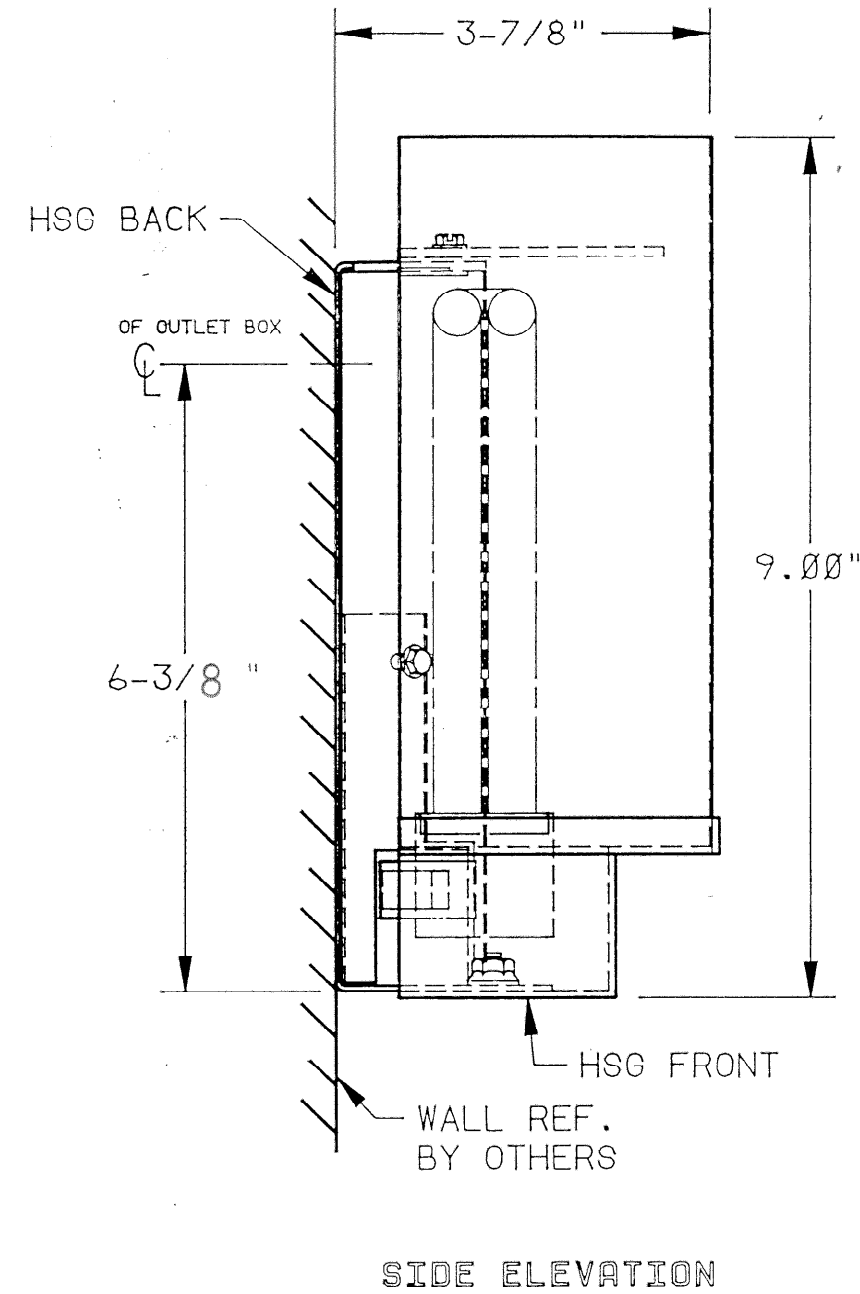


DO NOT MODIFY OR ALTER THIS PRODUCT IN ANY WAY, OR INSTALL IN ANY FASHION WHICH IS CONTRARY TO THE INSTRUCTIONS CONTAINED HEREIN. IF YOU HAVE ANY QUESTIONS REGARDING THIS PRODUCT OR THE INSTALLATION OF IT, PLEASE CALL LITECONTROL ENGINEERING AT 781-294-0100.

INSTRUCTIONS:

READ SHEETS COMPLETELY BEFORE STARTING INSTALLATION:

1. REMOVE PACKAGING AROUND FIXTURE.
2. REMOVE HSG FRONT BY LOOSING (2) #8 HEX FLANGE NUTS. (SEE ISOMETRIC VIEW ON PAGE 2)
3. REMOVE REFLECTOR FROM HOUSING BY REMOVING (2) SHEET METAL SCREWS.
4. MOUNT HOUSING BACK TO ELECTRICAL OUTLET BOX (2" X 3" SWITCH BOX OR "WORK BOX") AND WALL*, WHILE BRINGING FEED WIRES THROUGH THE 7/8" DIAMETER HOLE, USE HOLES SHOWN IN THE HOUSING BACK VIEW, ON PAGE 2.
 - * NOTE: MOUNT FIXTURE TO WALL WITH CORRECT ANCHORING TO ENSURE FIXTURE WILL NOT PULL AWAY FROM WALL WHEN FINISHED.
5. LEVEL FIXTURE ON WALL.
6. MAKE ALL WIRING CONNECTIONS IN HOUSING WIREWAY. RE-ATTACH THE REFLECTOR AND HSG FRONT ASSY PREVIOUSLY REMOVED IN STEPS 2 AND 3.
7. INSTALL LAMP(S) 18W/7T4/Q/G24q-2 OR 26W/7T4/Q/G24q-3 (BY OTHERS) AND CLEAN EXTERIOR OF FIXTURE WITH A GENERAL WINDOW CLEANER.
8. UPLITE LENSE OPTION: WHEN ORDERED WITH THIS OPTION LENSE CAN BE ATTACHED TO THE TOP OF FIXTURE WITH #8-32 MACHINE SCREWS AS SHOWN IN ISOMETRIC VIEW.



INSTALLATION
INSTRUCTIONS

FIXTURE TYPE _____

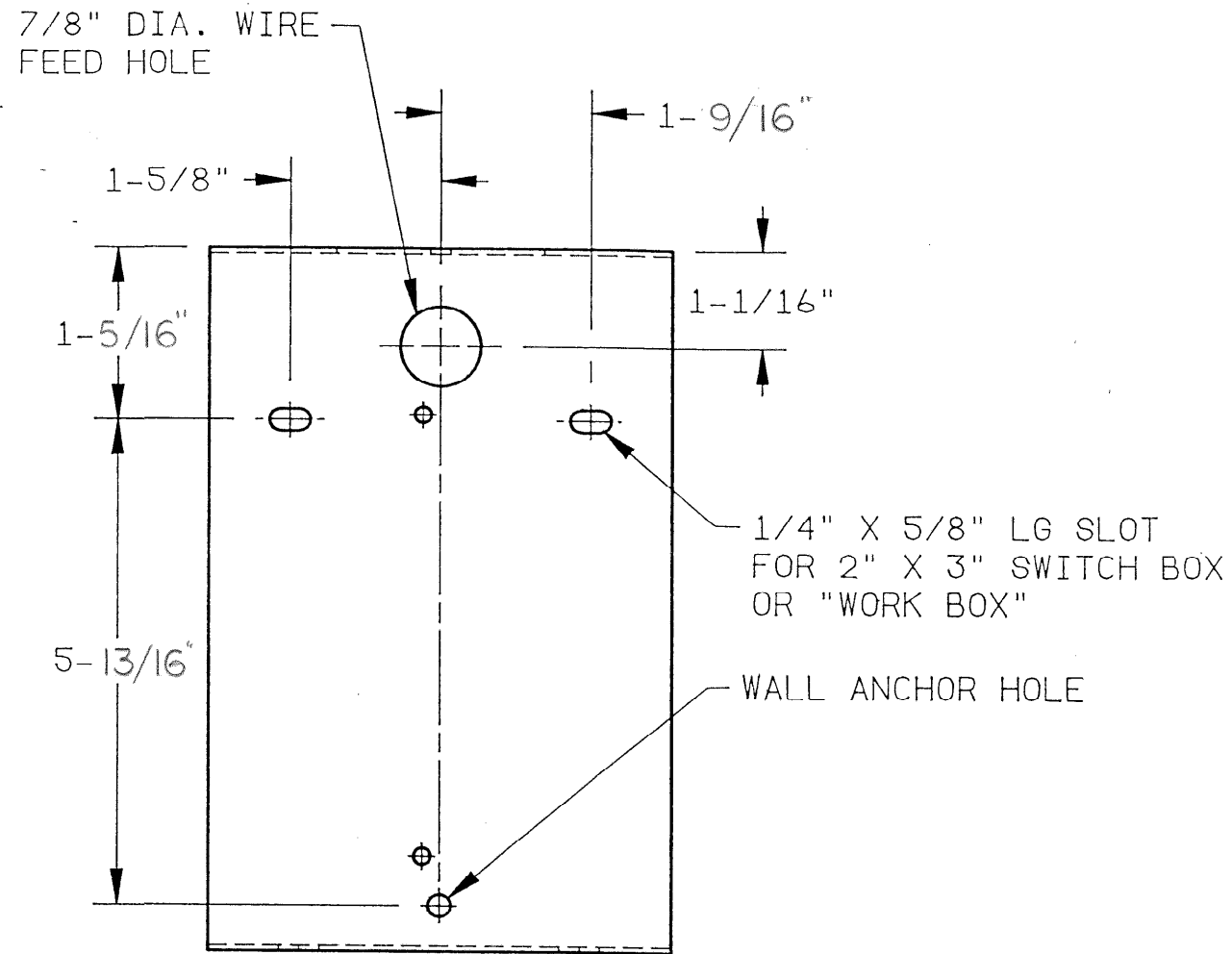
W-ID-55S
ADA SCNCE

P/C 510337-5000

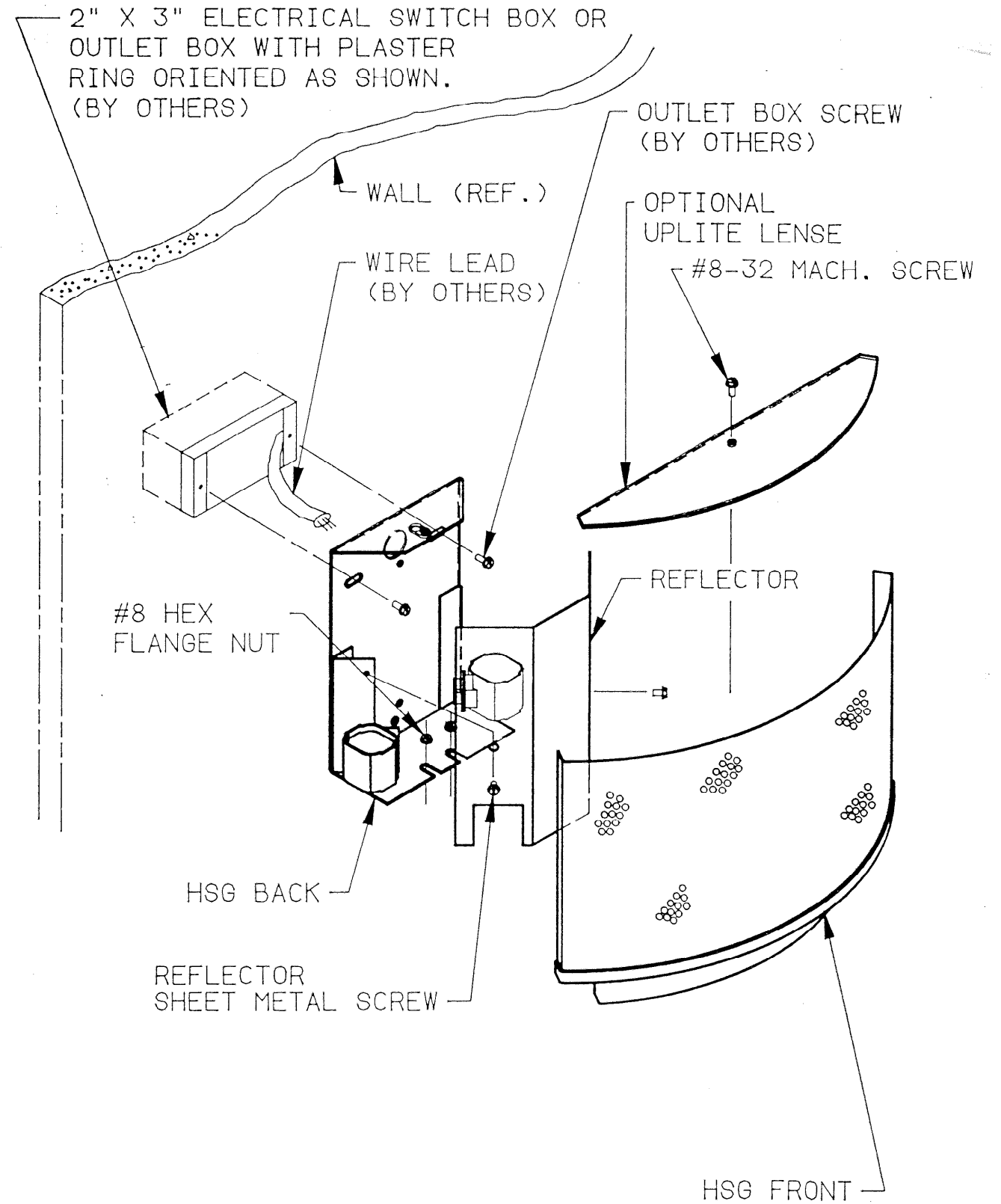
DATE: 11-18-02

PG. 2 OF 2

DO NOT MODIFY OR ALTER THIS PRODUCT IN ANY WAY, OR INSTALL IN ANY FASHION WHICH IS CONTRARY TO THE INSTRUCTIONS CONTAINED HEREIN. IF YOU HAVE ANY QUESTIONS REGARDING THIS PRODUCT OR THE INSTALLATION OF IT, PLEASE CALL LITECONTROL ENGINEERING AT 781-294-0100.



HOUSING BACK



ISOMETRIC VIEW