

INSTALLATION
INSTRUCTIONS

FIXTURE TYPE _____

WALLSLOT 8400
R/POSITION FIXTURE

P/C 510578-0000

PG. 1 OF 3

DO NOT MODIFY OR ALTER THIS PRODUCT IN ANY WAY, OR INSTALL IN ANY FASHION WHICH IS CONTRARY TO THE INSTRUCTIONS CONTAINED HEREIN.
IF YOU HAVE ANY QUESTIONS REGARDING THIS PRODUCT OR THE INSTALLATION OF IT, PLEASE CALL LITECONTROL ENGINEERING AT 781-294-0100.

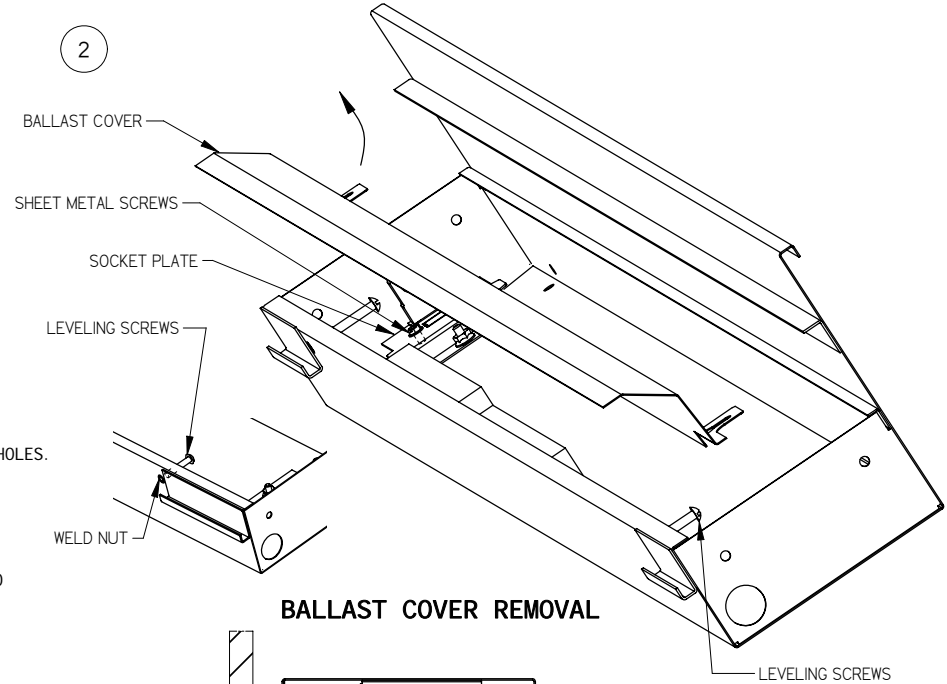
NOTES: PRIOR TO STARTING, REFER TO ROW LAYOUT FOR LOCATION OF FIXTURE TYPES WITHIN THE ROW.

- A. WALL SURFACE SHOULD BE FINISHED A MINIMUM OF 7" ABOVE CEILING AND CEILING GRID OR DRYWALL INSTALLED.
- B. SUPPORT RAILS, DIFFUSER WALL ANGLES AND OPTIONAL WALL COLOR SHIELDS ARE SHIPPED SEPARATELY AND INSTALLED BEFORE FIXTURES ARE MOUNTED, REFER TO INSTRUCTION SHEETS 510573, 510576 AND 510577.
- C. DRYWALL CEILING SPLINE RUNNERS ARE SHIPPED SEPARATELY AND ARE INSTALLED BEFORE FIXTURES; SEE STEP 4.
- D. DIFFUSERS AND SYSTEM CONNECTORS ARE SHIPPED SEPARATELY AND ARE INSTALLED AFTER FIXTURES ARE HUNG.

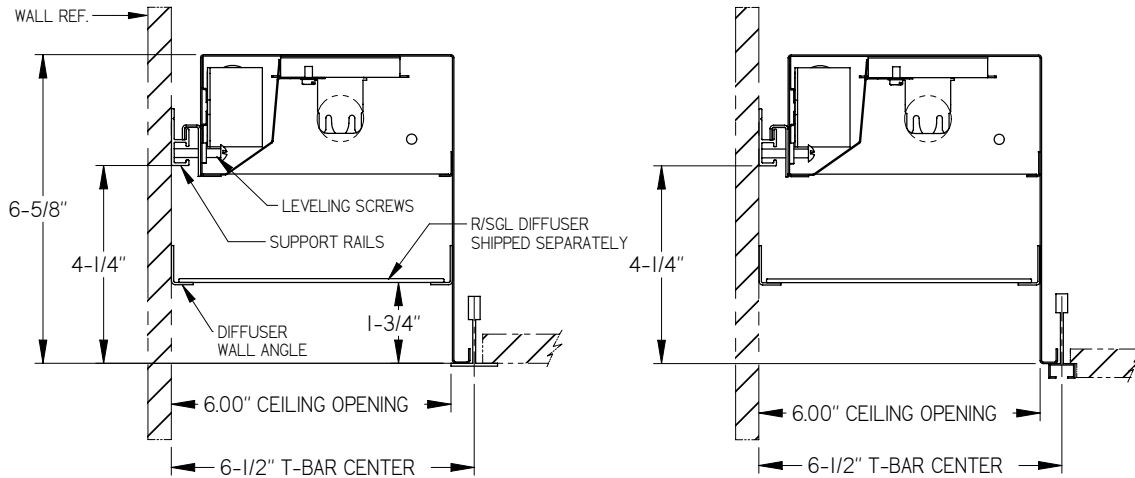
INSTRUCTIONS:

IMPORTANT: FIXTURE ELEVATION IS BASED ON CEILING TYPE BEING USED. SEE END VIEWS BELOW.

1. MOUNT SUPPORT RAILS AND DIFFUSER WALL ANGLES TO WALL SURFACE PER INSTRUCTION SHEET 510573 AND 510577. OPTIONAL WALL COLOR SHIELDS ARE USED WHEN PAINTED WALL SURFACE IS A COLOR OTHER THAN WHITE. REFER TO INSTRUCTION SHEET 510576.
2. REMOVE BALLAST COVERS FROM FIXTURE BY LOOSENING TWO SHEET METAL SCREWS AND SHIFTING COVER OUT THRU KEYHOLES. THREAD #10-24 x 1" LONG LEVELING SCREWS (FOUND IN POLYBAG) INTO EACH WELDNUT APPROXIMATELY 1/4". TWO LEVELING SCREWS ARE REQUIRED FOR EACH FIXTURE.
3. REMOVE 7/8" KO IN TOP OF HOUSING IF ELECTRICAL FEED IS BEING BROUGHT IN THRU TOP OF FIXTURE OTHERWISE FEED MAY BE BROUGHT INTO 7/8" HOLES IN END HEADERS. SEE VIEW ON PAGE 3.
4. **FOR DRYWALL/PLASTER CEILINGS ONLY:** PEEL OFF ADHESIVE BACKING ON BOTTOM OF SPLINE RUNNERS AND ATTACH TO TOP SURFACE OF DRYWALL FLUSH WITH FINISHED EDGE AS SHOWN BELOW AND ON PAGE 2. SPLINE RUNNERS MUST RUN CONTINUOUSLY ALONG OPENING AND ARE FIELD CUT TO SUIT.

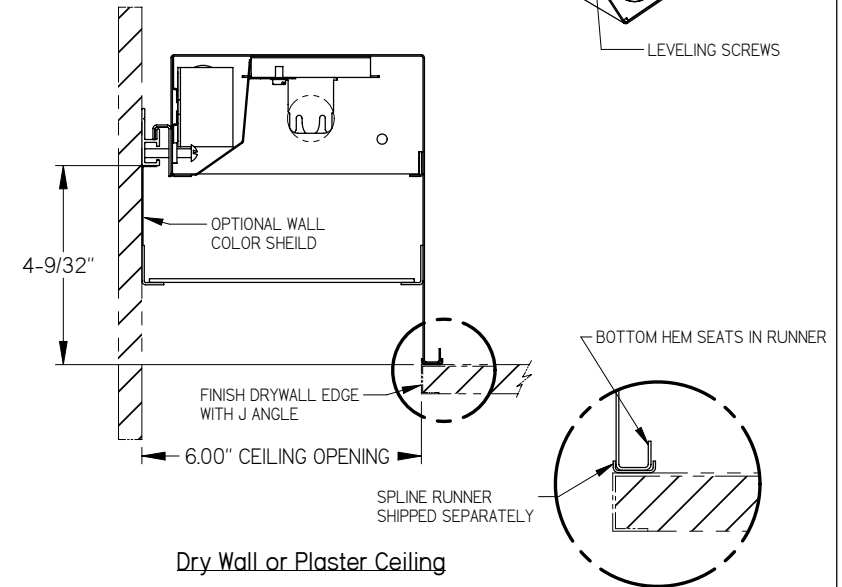


BALLAST COVER REMOVAL



15/16" Exposed T-Bar Ceiling

9/16" SCREW SLOT T-Bar Ceiling



Dry Wall or Plaster Ceiling

INSTALLATION
INSTRUCTIONS

FIXTURE TYPE _____

WALLSLOT 8400
R/POSITION FIXTURE

P/C 510578-0000

PG. 2 OF 3

DO NOT MODIFY OR ALTER THIS PRODUCT IN ANY WAY, OR INSTALL IN ANY FASHION WHICH IS CONTRARY TO THE INSTRUCTIONS CONTAINED HEREIN.
IF YOU HAVE ANY QUESTIONS REGARDING THIS PRODUCT OR THE INSTALLATION OF IT, PLEASE CALL LITECONTROL ENGINEERING AT 781-294-0100.

INSTRUCTIONS CONTINUED:

- LIFT FIXTURES UP INTO CEILING OPENING AND HOOK ONTO SUPPORT RAIL, TURN LEVELING SCREWS UNTIL FIXTURE IS LEVEL. SEE VIEW A. REPEAT THIS STEP FOR EACH FIXTURE IN ROW.
GUY WIRES MAY BE ADDED THRU HOLES IN TOP OF FIXTURE TO OVERHEAD STRUCTURE FOR ADDITIONAL SUPPORT AS SHOWN ON PAGE 3.
- CENTRALLY LOCATE ROW OF FIXTURES WITHIN THE SPACE. THE SPACE BETWEEN THE ENDS OF THE FIXTURES AND OPPOSITE WALLS WILL BE FILLED IN WITH THE SYSTEM CONNECTORS. SEE PAGE 3.
- MAKE ELECTRICAL CONNECTIONS IN THE FIXTURE WIREWAY AND ROW MOUNT EACH FIXTURE TOGETHER WITH (2) #8-32 x 3/8" LONG MACHINE SCREWS AND NUTS (SHIPPED IN POLYBAG). SEE ROW JOINT DETAIL.
- FOR GRID CEILINGS ONLY:** SNAP T-BAR CLIPS (SHIPPED SEPARATELY) OVER T-BARS UNTIL THEY ENGAGE BOTTOM HEM OF FIXTURE.
TWO CLIPS ARE REQUIRED FOR EACH 24", 36" AND 48" LENGTH FIXTURES AND THREE CLIPS FOR 72" & 96" FIXTURES.
- INSTALL ALL SYSTEM CONNECTORS (SHIPPED SEPARATELY) TO CLOSE OFF ROW PER INSTRUCTION SHEET 530574.
- AFTER SYSTEM CONNECTOR INSTALLATION HAS BEEN COMPLETED, REPLACE ALL BALLAST COVERS AND INSTALL LAMPS BY INSERTING LAMP PINS INTO SOCKETS UNTIL THEY SNAP IN PLACE.
- FIXTURES WITH SGL LENS DIFFUSER ARE INSTALLED BY LIFTING AND SHIFTING LENS ONTO DIFFUSER WALL ANGLES AS SHOWN ON PAGE 3. SGL LENSES ARE SHIPPED SEPARATELY IN 96" LENGTHS AND RUN THE FULL LENGTH OF THE OPENING.
A SEPARATE 24" LENGTH PIECE HAS BEEN PROVIDED FOR FIELD CUTTING WITH SAW TO SUIT ANY EXTRA OPENING IN ROW.

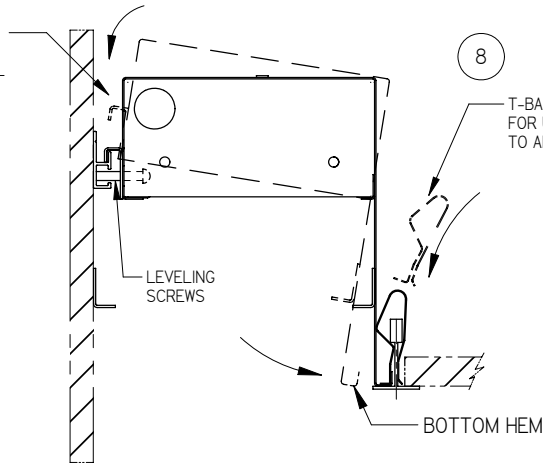
SPLINE RUNNER SHIPPED IN 48" LENGTHS
FIELD CUT TO SUIT FULL
LENGTH OF OPENING

PEEL OFF TAPE BACKING FROM BOTTOM
OF SPLINE RUNNER AND SEAT FLUSH
WITH EDGE OF DRYWALL.
ALIGN EACH SECTION OF RUNNER END TO END
AND SAWCUT OFF EXTRA LENGTH.

**SPLINE RUNNER VIEW
DRYWALL OR PLASTER
CEILINGS ONLY**

INSERT FIXTURE UP THRU
CEILING OPENING
AND HOOK ONTO SUPPORT RAIL

5

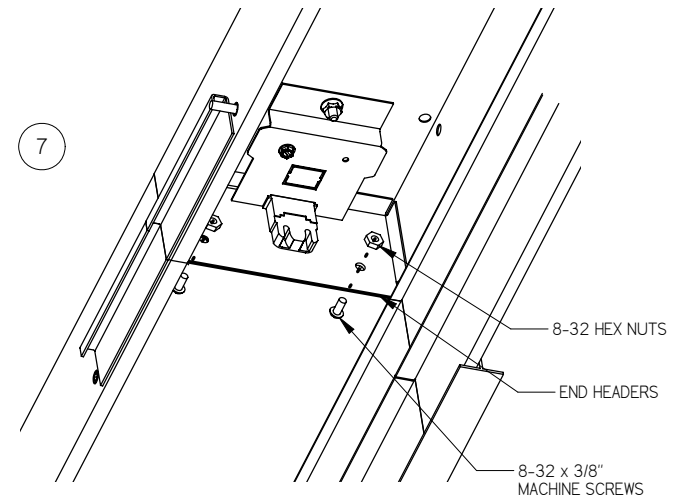


VIEW A

8

T-BAR CLIPS
FOR USE IN GRID CEILINGS
TO ALIGN SIDES OF FIXTURES

7



ROW JOINT DETAIL

INSTALLATION
INSTRUCTIONS

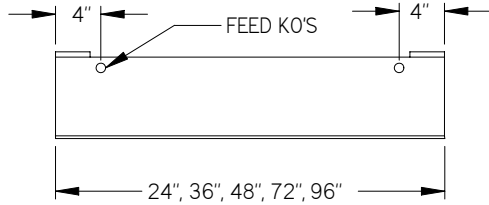
FIXTURE TYPE _____

WALLSLOT 8400
R/POSITION FIXTURE

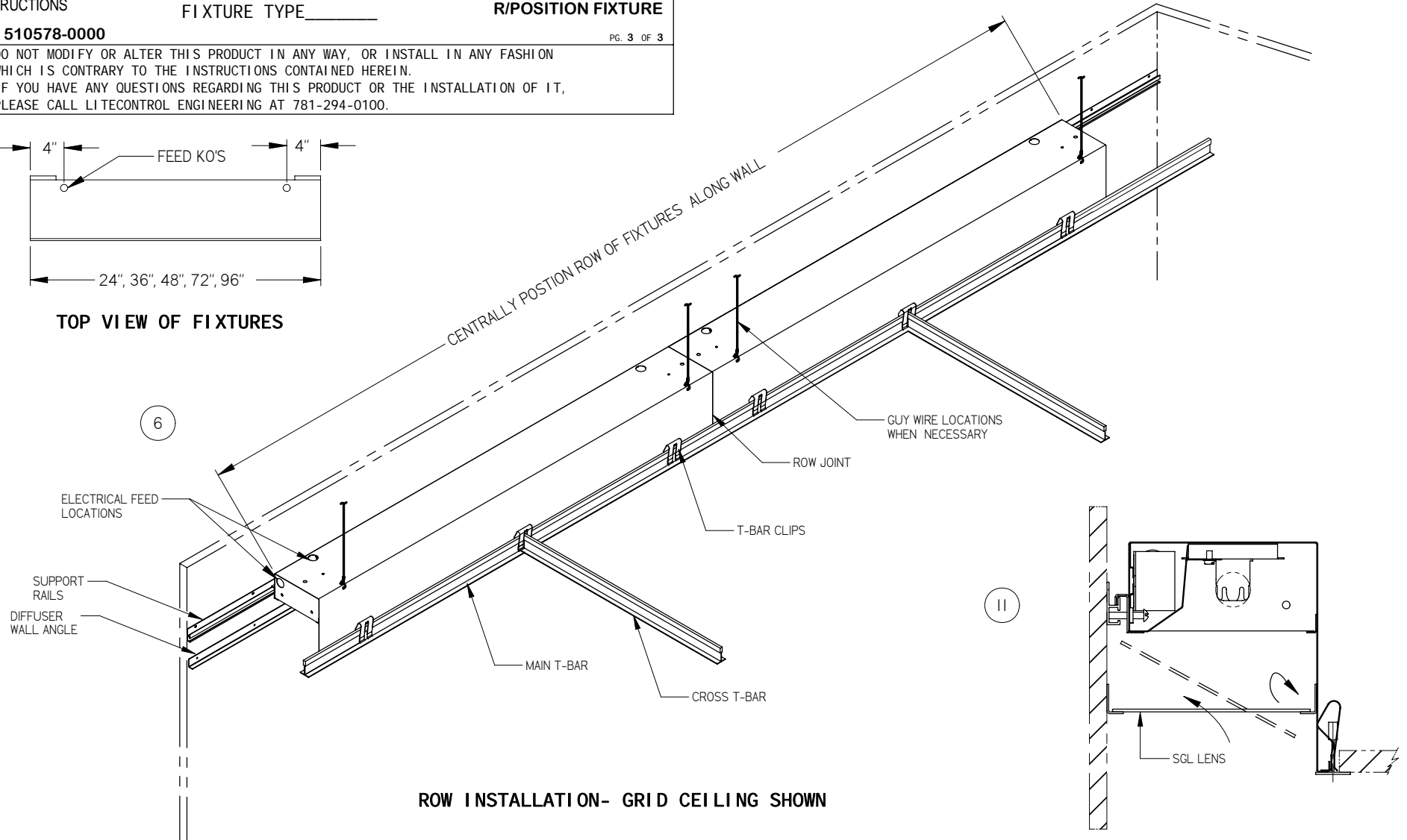
P/C 510578-0000

PG. 3 OF 3

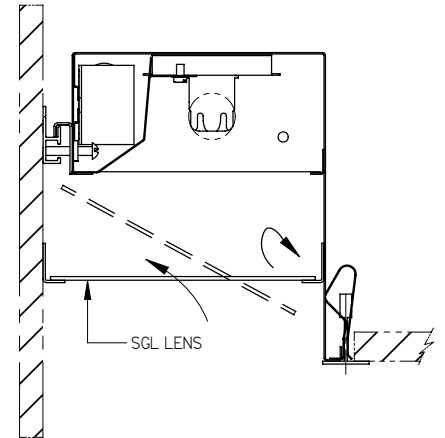
DO NOT MODIFY OR ALTER THIS PRODUCT IN ANY WAY, OR INSTALL IN ANY FASHION WHICH IS CONTRARY TO THE INSTRUCTIONS CONTAINED HEREIN.
IF YOU HAVE ANY QUESTIONS REGARDING THIS PRODUCT OR THE INSTALLATION OF IT, PLEASE CALL LITECONTROL ENGINEERING AT 781-294-0100.



TOP VIEW OF FIXTURES



ROW INSTALLATION- GRID CEILING SHOWN



DIFFUSER INSTALLATION