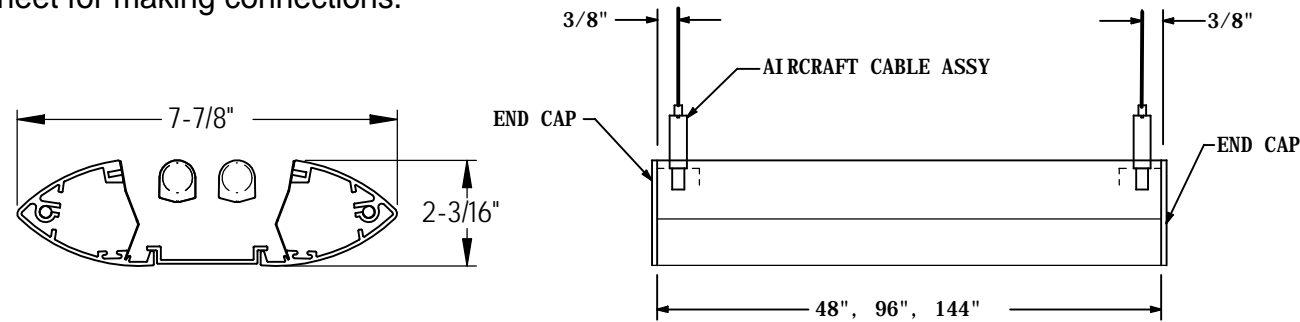


DO NOT MODIFY OR ALTER THIS PRODUCT IN ANY WAY, OR INSTALL IN ANY FASHION WHICH IS CONTRARY TO THE INSTRUCTIONS CONTAINED HEREIN.
IF YOU HAVE ANY QUESTIONS REGARDING THIS PRODUCT OR THE INSTALLATION OF IT, PLEASE CALL LITECONTROL ENGINEERING AT 781-294-0100.

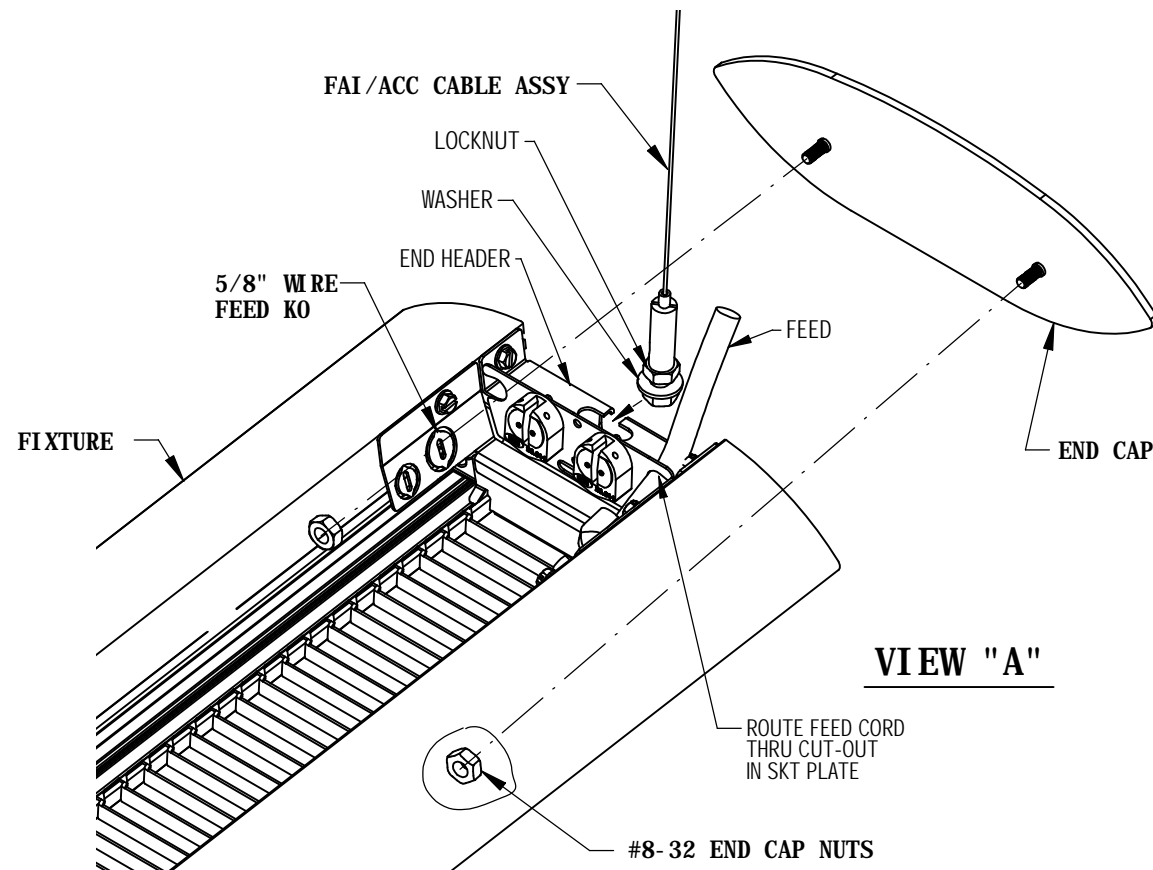
GENERAL NOTES: Read Instructions completely before starting.

- A) Leaving protective foam wrapping on fixtures until mounting has been completed will protect finish from damage.
- B) Fixtures are supplied with factory installed Branch Circuit wiring. Refer to supplemental instruction sheet for making connections.



CROSS SECTION

SIDE VIEW- INDIVIDUAL FIXTURES



VIEW "A"

INSTRUCTIONS:

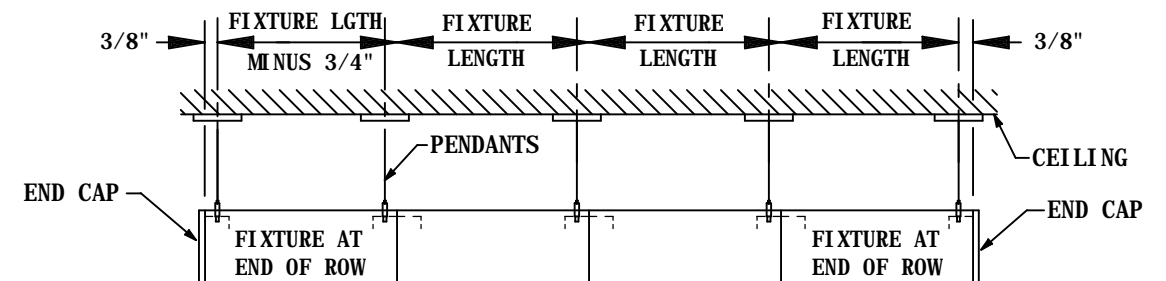
1. MOUNTING INDIVIDUAL FIXTURES: (Aircraft Cable Assy's are shipped separately)

- A) Locate pendants (aircraft cables) along a straight line in ceiling per dimensions shown in Side View; (Refer to Pendant Instruction Sheet).
- B) Peel back foam wrapping from both ends of fixture. Remove a 5/8" KO in Socket plate for wire feed.
- C) Lift fixture up and mount both ends of this fixture to pendants (aircraft cables) in ceiling. Bring wire feed into fixture route feed cord through cut-out in socket plate as shown and make connections to branch circuit wiring.
- D) Attach an End Cap (shipped separately) to both ends of fixture by inserting End Cap studs thru holes in End Headers. Secure with (2) 8-32 hex nuts making sure end caps are flush with bottom and sides of fixture.
- E) Level fixture up or down by threading cable studs into nuts. Level fixture horizontally by sliding cable assy from side to side end header slot. Tighten all locknuts after fixtures are level.

Go TO STEP 5 ON PAGE 2.

2. MOUNTING ROWS OF FIXTURES:

- A) Locate pendants (aircraft cables) along a straight line in ceiling as shown in Side View below. Refer to pendant instruction sheet. Peel back foam wrapping from both ends of all fixtures in row.
- B) Starting with a fixture at one end of row, Lift fixture up and mount to pendants (aircraft cables) in ceiling. per Step 1C above.

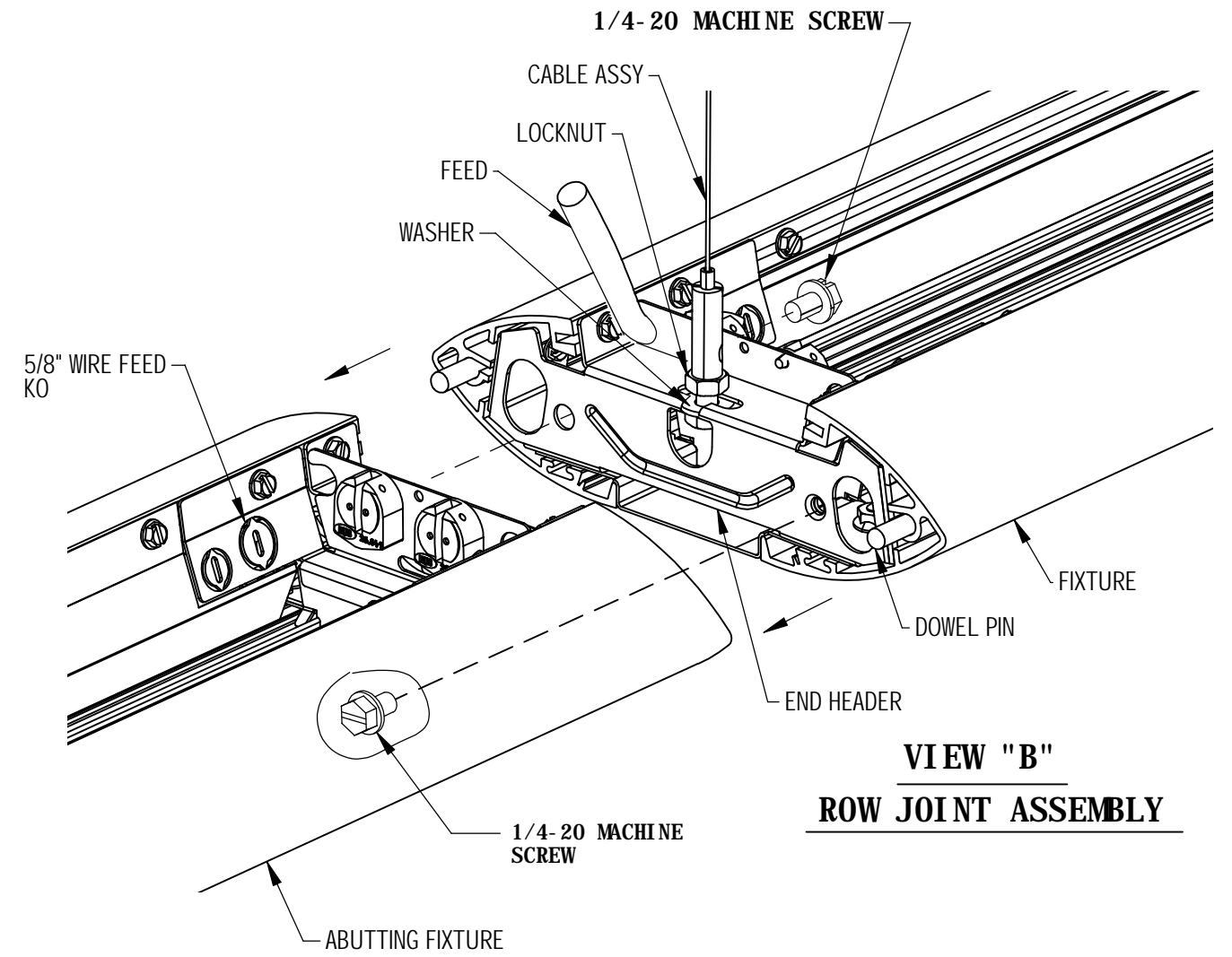


SIDE VIEW - PENDANT LOCATIONS FOR ROW MOUNTED FIXTURES

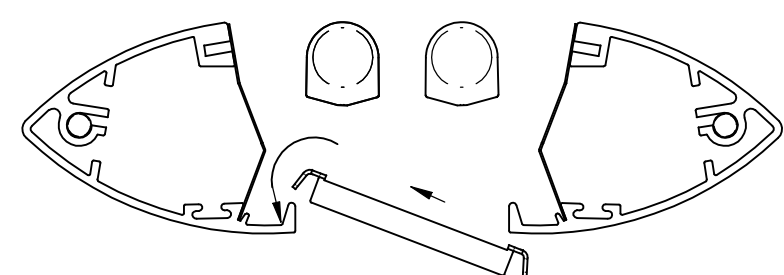
DO NOT MODIFY OR ALTER THIS PRODUCT IN ANY WAY, OR INSTALL IN ANY FASHION WHICH IS CONTRARY TO THE INSTRUCTIONS CONTAINED HEREIN. IF YOU HAVE ANY QUESTIONS REGARDING THIS PRODUCT OR THE INSTALLATION OF IT, PLEASE CALL LITECONTROL ENGINEERING AT 781-294-0100.

Instructions con't:

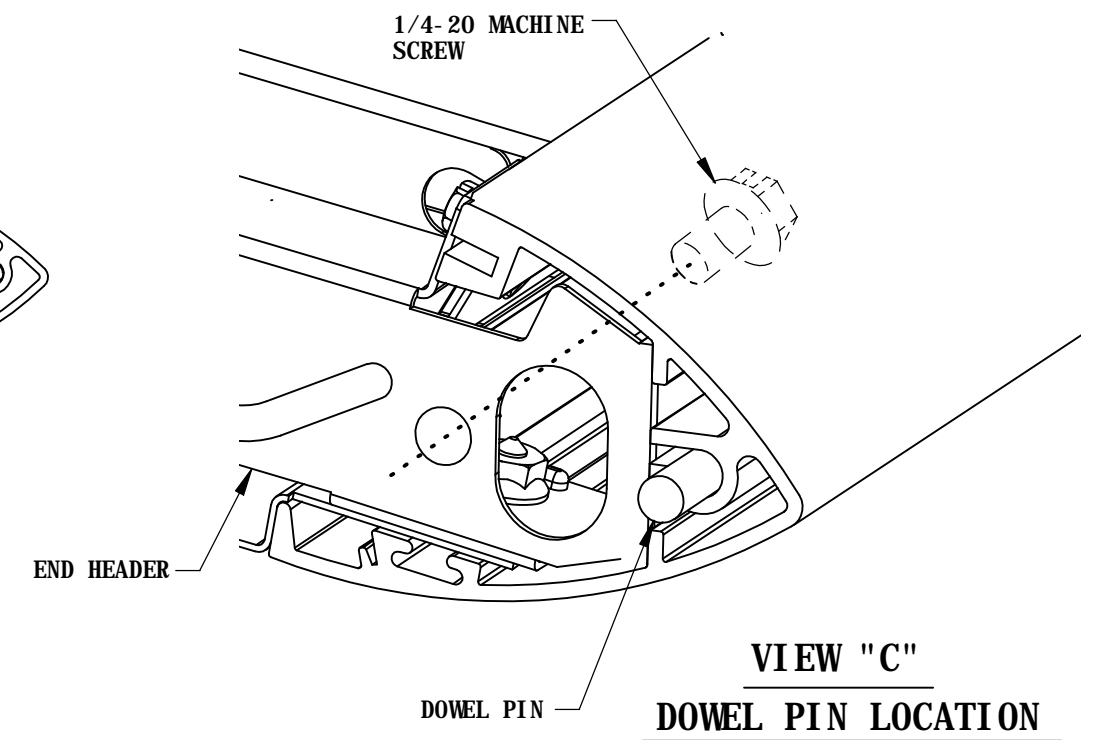
- 2C) Remove a 5/8" KO in socket plate for wire feed.
 - D) Insert (2) dowel pins (found in polybag) into ends of housing so that half of pin extends out end of fixture. See View "C".
 - E) Lift the next fixture up in the row, insert one end into dowel pins and mount the other end to pendants (aircraft cable assy in the ceiling). Loosely attach fixtures together at joint using (2) 1/4-20 mach screws as shown in VIEW "B".
 - F) Level fixture up or down by threading cable studs into nuts .
Level fixture horizontally by sliding cable assy from side to side end header slot.
Tighten all locknuts after fixtures are level. Tighten all 1/4-20 mounting hardware.
 - G) Repeat steps D, E and F for each additional fixture in row.
Level row and align seams at each joint before tightening all screws.
3. At each row joint, make wiring connections between fixtures and push wiring back into fixture wireway.
4. Mount an End Cap at each end of row per step 1E.
5. Remove all foam wrapping material from fixtures.
6. **BAFFLE INSTALLATION:** (Baffles are shipped separately, refer to instruction sheet 510564 for installation).
- A) Baffles are shipped in a protective plastic bag to keep them free from dirt during installation of fixtures and should be left on until installation.
7. Raise and secure all pendant canopies.
8. Install lamps (by others) and clean exterior surfaces of fixture(s) with a general window cleaner.



VIEW "B"
ROW JOINT ASSEMBLY



BAFFLE INSTALLATION



VIEW "C"
DOWEL PIN LOCATION