

INSTALLATION  
INSTRUCTIONS

FIXTURE TYPE \_\_\_\_\_

P-I/P-ID 5500  
DUST COVER OPTION

P/C 510552-0000

DATE: 04/07/08

PG. 1 OF 1

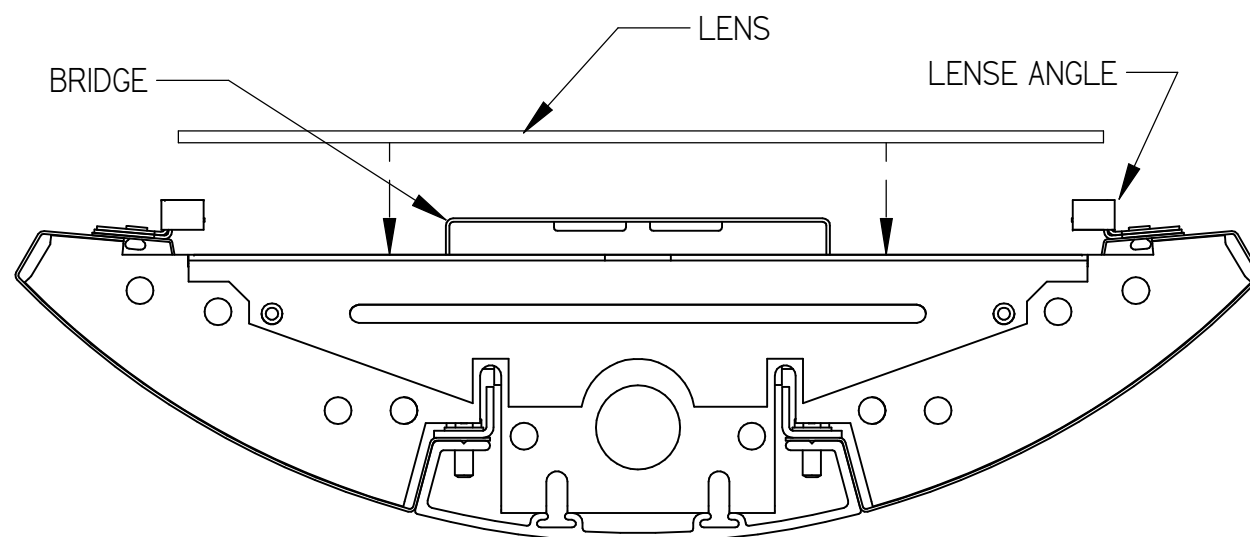
DO NOT MODIFY OR ALTER THIS PRODUCT IN ANY WAY, OR INSTALL IN ANY FASHION WHICH IS CONTRARY TO THE INSTRUCTIONS CONTAINED HEREIN.  
IF YOU HAVE ANY QUESTIONS REGARDING THIS PRODUCT OR THE INSTALLATION OF IT, PLEASE CALL LITECONTROL ENGINEERING AT 781-294-0100.

**GENERAL NOTE: Read Instructions completely before starting.**

Lens is installed after fixtures have been mounted and lamps are installed in fixture. (Lenses are shipped separately.)

**INSTRUCTIONS:**

1. REMOVE BRIDGE BY ROTATING AND SHIFTING OUT OF SLOTS IN REFLECTOR. SEE DETAIL A.
2. INSTALL LAMPS AND REPLACE BRIDGE.
3. SEAT LENS ON TOP OF LENS ANGLES



END VIEW

