

## Mod 44 Recessed Wall/Wash

LG-WWD-4400  
Exposed Grid Ceiling  
Recessed Wall Wash Direct

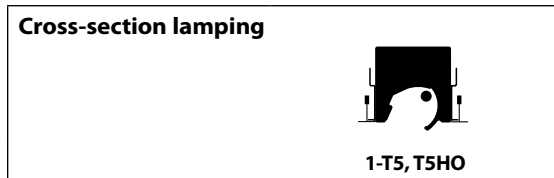
### Product Description

A recessed fixture for grid ceilings with an optical system designed to provide uniform wall wash lighting. The WWD-4400 has a low-profile housing (nominally 4" x 4") and uses T5 or T5HO lampping. The fixture can be row-configured for continuous run installations along a wall, and has an optional regressed lens that completely shields the lamp from view. UL Listed. This fixture is Cradle to Cradle Silver Certified<sup>CM</sup> by MBDC.

### Ordering Guide

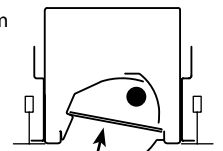
Product, Lamping & Length					Options							
<b>LG -</b>	<b>WWD -</b>	<b>44</b>				<b>CWM -</b>						
Mounting	Distribution	Series	Lamp Count*	Nominal Length (ft)	Lamp Type	Diffuser	Finish	Position	Ballast	Other options	Volts	
<b>LG</b> Recessed (exposed grid ceiling)	<b>WWD</b> Wall Wash Direct	<b>44</b>	1 → 2 → see notes	2, 3, 4 6, 8	<b>T5</b> <b>T5HO</b>  (not available in T8)	-- <b>SGL</b>	<b>CWM</b> (Matte White) is standard	<b>IND</b> <b>INT</b> <b>EOR/LH</b> <b>EOR/RH</b>	<b>LP/ELB</b> is std. <b>DA/MK7</b> <b>DL/ECO</b> <b>DO/HEL</b>  see <b>Ballast Options</b>	<b>F</b> <b>CCEA</b>  see <b>Other options</b>	<b>120</b> <b>277</b>	
<p><b>notes:</b> *Lamp Count = total number of lamps in the fixture For Ordering guide information in shaded areas, choose selection by reading ACROSS the shaded areas for correct specifications.</p>												

**LG-WWD-4414T5-CWM-IND-LP/ELB-F-120** is a typical catalog number for a 1-lamp, 4-foot long T5 fixture, Matte White finish, individual fixture with an electronic ballast, optional fuse, 120 volts.



### Diffuser

**SGL** Soft Glow Lens. Extruded, frosted acrylic lens regressed at an angle above the ceiling to soften view of lamp from directly below while minimizing visibility from normal viewing angles.



Soft Glow Lens

### Position

**IND** Individual fixture.  
**INT** Intermediate fixture in a row.  
**EOR/LH** Left hand end-of-row fixture in a row.  
**EOR/RH** Right hand end-of-row fixture in a row.

### Ballast

Specify in place of **LP/ELB**, contact factory for availability/compatibility with lamping:

**DA/MK7** Advance Mark VII dimming ballast.  
**DL/ECO** Lutron ECO-10 dimming ballast.  
**DO/HEL** Osram Sylvania dimming ballast.

### Other Options

**F** Fuse. Slow or fast blow, determined by Litecontrol.  
**CCEA** City of Chicago Environmental Air Modification.

### Questions to Ask

1. Row information, including desired fixture length?
2. Diffuser type? 3. Other options? 4. 120 or 277 volt?



## Specifications

**HOUSING.** Die-formed and welded steel, with 3/8" regression at housing bottom for rigidity and appearance. Continuous mounting rail along sides, with bottom flange regressed 1/16", is used as a lateral spacing aid between main T-bars, allows clearance for T-bar supporting wires, and accepts mounting of side clips. Furnished with 6" long, steel splines for insertion at each side of housing at junction of fixtures in rows for precise alignment. End headers have clearance holes for easy row installation.

**REFLECTOR.** Formed semi-specular high reflectance aluminum primary optic. Formed steel wall-side reflector painted gray. Painted, extruded aluminum room-side reflector shield extends below the ceiling and includes a pre-installed alignment spline that is slid between adjoining fixtures in the field.

**END CAPS.** Straddle T-bars and attach to ends of individual fixtures and ends of rows.

**BALLAST.** Low-profile Electronic Ballast (LP/ELB), high power factor, thermally protected Class P, Sound Rated A, less than 10% THD, manufactured by a UL-Listed manufacturer, as available, determined by Litecontrol. Ballasts with a voltage range of 120 to 277 will be used when fixture configuration and ballast availability allow. The minimum number of ballasts will be used.

**LAMPING.** Available in one-lamp T5 or T5HO in cross-section.

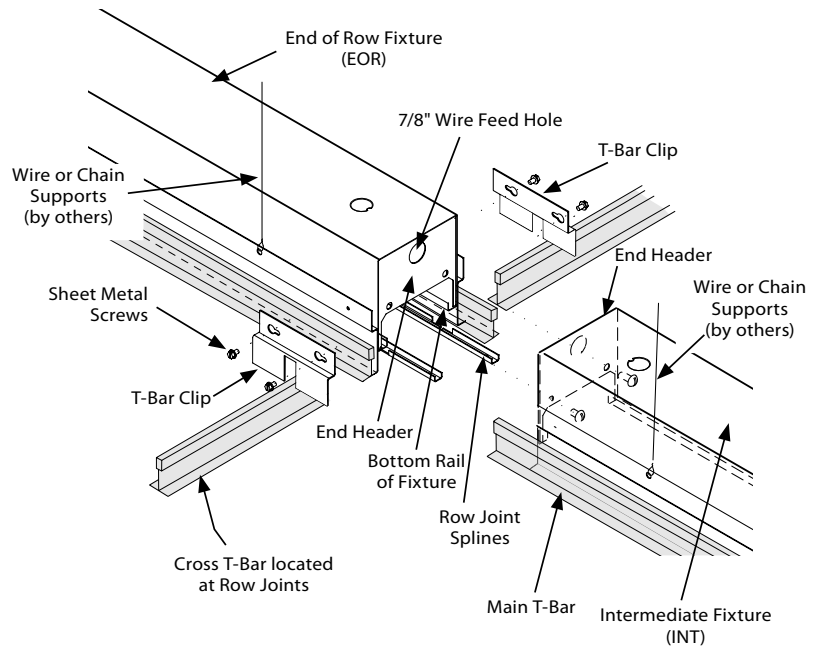
**BALLAST DISCONNECT.** Fixture supplied with a ballast disconnect device to enable compliance with the NEC.

**MOUNTING.** For installation in exposed inverted T-bar grid ceilings (NEMA type G, 1 1/2" high T-bar) only. Side T-bar clips and T-bar end caps provided; field installed by contractor. Knockouts in housing top for wiring. Holes provided in mounting rail for S-hooks of chain supports or guy wires.

**CERTIFICATION.** Fixture and electrical components are UL and/or CUL Listed (UL LISTED), and bear the I.B.E.W., A.F. of L. label. This fixture is Cradle to Cradle Certified<sup>CM</sup> Silver by MBDC. Note: Litecontrol reserves the right to change specifications without notice for product development and improvement.

## General notes for specifiers and contractors

1. Fixtures may be mounted in exposed grid ceilings, either as individual units, or in rows, for continuous light.
2. Suffixes for individual fixtures (IND), and row fixtures (INT, EOR/LH, EOR/RH) should be shown on electrical and reflected ceiling plans, together with fixture type designations and lengths. Example: B-EOR/LH-2', B-INT-6'; B-IND-4'. These will be shown on order processing and carton labeling, and will assist with on-the-job installation.
3. Electrical and ceiling contractors should understand that this system is not a standard troffer construction (due to continuous light feature), so coordination between the two trades is essential.
4. All main tees and cross tees must be rigidly attached to each other (i.e. with angles and pop rivets, by others), so main tees will not twist or pivot under fixture weight. Additional supporting means may be necessary and required by local codes, to provide adequate support of ceiling grid in fixture areas. Knockouts are located in housing top for wiring. Access openings and cover plates are not provided.
5. Electrical contractor must attach T-bar clips, supplied by Litecontrol, after the fixtures have been installed.
6. Installation instructions for this fixture and all Litecontrol fixtures are available from your Litecontrol representative or by contacting the factory. Instructions are also provided with every fixture shipment.

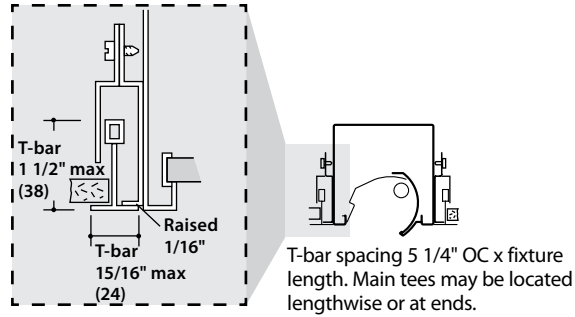


LITECONTROL

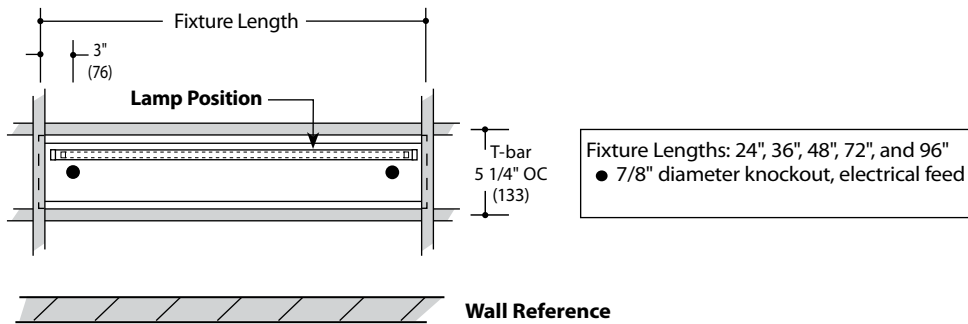
100 Hawks Avenue Hanson, MA 02341  
781 294 0100 f: 781 293 2849 litecontrol.com



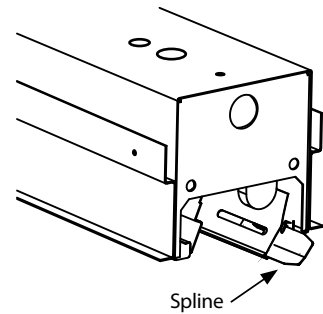
## Planning for installation



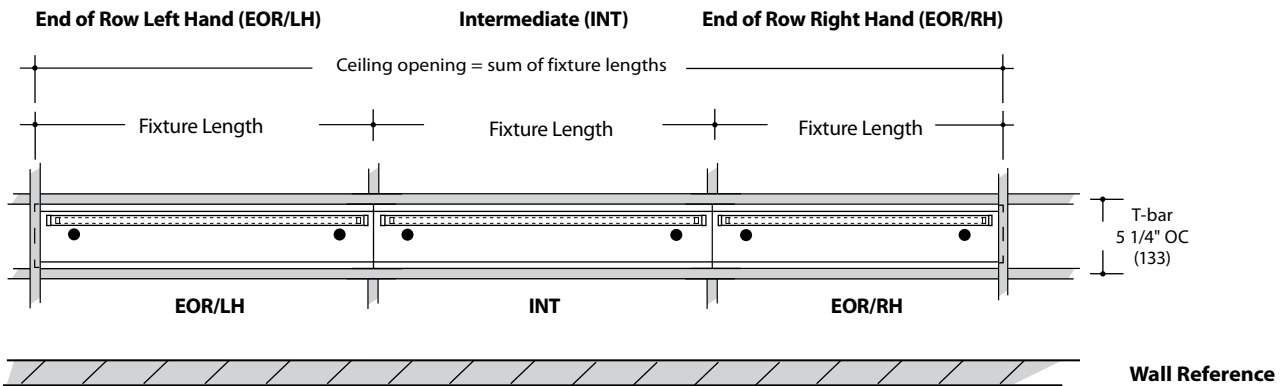
### Individual Fixtures (IND)



### Spline Detail



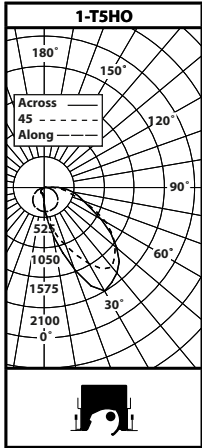
### Row fixtures



Row is comprised of fixtures of standard lengths:

End of Row fixtures (EOR/LH & EOR/RH) are used at ends, Intermediate fixtures (INT) are used between other fixtures. Continuous opening in ceiling is framed by main tees parallel to row, spaced 5 1/4" OC and at end of row, spacing equal to the sum of the fixture lengths.

Photometric data



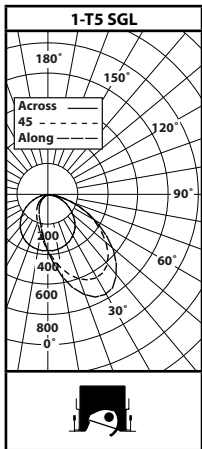
CANDLEPOWER SUMMARY						
ANGLE	0	45	90	135	180	
90	3	3	6	138	223	
85	2	2	25	271	379	
80	6	9	61	377	503	
75	32	23	103	489	607	
70	36	47	147	722	718	
65	52	64	182	970	890	
60	60	86	219	1220	1132	
55	84	111	249	1425	1388	
50	95	130	278	1581	1619	
45	104	121	306	1702	1812	
40	119	120	332	1802	1932	
35	120	115	353	1729	2011	
30	109	120	374	1520	2068	
25	113	128	386	1300	1883	
20	122	142	394	1089	1537	
15	128	150	407	916	1180	
10	141	181	414	724	884	
5	230	300	420	563	617	
0	418	418	418	418	418	

LG-WWD-4414T5HO 68.7% Efficiency																		
Litecontrol Certified Test Report #66016000																		
RCC	80				70				50				30				10	0
RW	70	50	30	10	70	50	30	10	50	30	10	50	30	10	50	30	10	0
RCR																		
0	82	82	82	82	80	80	80	80	76	76	76	73	73	73	70	70	69	
1	73	69	66	63	71	68	65	62	65	62	60	62	60	58	60	58	56	55
2	66	59	54	49	64	58	53	49	55	51	48	53	50	46	51	48	45	44
3	59	51	45	40	57	50	44	39	48	43	39	46	42	38	44	40	37	36
4	54	44	38	33	52	44	37	32	42	36	32	40	35	31	38	34	31	29
5	49	39	32	27	47	38	32	27	37	31	27	35	30	26	34	30	26	24
6	45	35	28	23	43	34	28	23	33	27	23	31	26	23	30	26	22	21
7	41	31	24	20	40	30	24	20	29	24	20	28	23	19	27	23	19	18
8	38	28	22	17	37	27	21	17	27	21	17	26	21	17	25	20	17	15
9	35	25	19	15	34	25	19	15	24	19	15	23	18	15	23	18	15	13
10	33	23	17	13	32	23	17	13	22	17	13	21	17	13	21	16	13	12

Floor Cavity Reflectance .20

ZONAL LUMEN SUMMARY			
ZONE	LUMENS	% LAMP	% LUMINAIRE
180-90°	0	0	0
90-0°	3093	69	100
180-0°	3093	69	100

LUMINANCE SUMMARY (cd/m <sup>2</sup> )			
ANGLE	0°	45°	90°
45°	1464	1704	4309
55°	1458	1927	4323
65°	1225	1508	4288
75°	1231	885	3963
85°	228	228	2856



CANDLEPOWER SUMMARY						
ANGLE	0	45	90	135	180	
90	1	1	1	30	41	
85	1	1	16	49	59	
80	1	1	45	95	86	
75	0	3	74	158	147	
70	5	11	104	226	222	
65	9	17	135	295	304	
60	17	37	166	372	391	
55	29	55	197	444	482	
50	45	74	228	513	572	
45	63	91	257	572	649	
40	78	109	285	615	711	
35	95	127	306	637	757	
30	113	147	326	641	767	
25	134	169	342	625	752	
20	158	196	354	593	704	
15	187	225	364	546	637	
10	232	266	370	491	552	
5	292	312	374	428	456	
0	369	369	369	369	369	

LG-WWD-4414T5-SGL 49.3% Efficiency																		
Litecontrol Certified Test Report #68316600																		
RCC	80				70				50				30				10	0
RW	70	50	30	10	70	50	30	10	50	30	10	50	30	10	50	30	10	0
RCR																		
0	59	59	59	59	57	57	57	57	55	55	55	52	52	52	50	50	50	49
1	53	51	49	47	52	50	48	46	48	46	45	46	45	43	44	43	42	41
2	49	44	41	38	47	44	40	38	42	39	37	40	38	36	39	37	35	34
3	44	39	35	32	43	38	34	31	37	33	31	35	33	30	34	32	30	29
4	40	34	30	27	39	34	30	26	33	29	26	31	28	26	30	28	25	24
5	37	31	26	23	36	30	26	23	29	25	22	28	25	22	27	24	22	21
6	34	28	23	20	33	27	23	20	26	22	20	25	22	19	25	22	19	18
7	32	25	21	17	31	24	20	17	24	20	17	23	20	17	22	19	17	16
8	29	23	18	15	29	22	18	15	22	18	15	21	18	15	20	17	15	14
9	27	21	17	14	27	20	16	14	20	16	14	19	16	14	19	16	14	13
10	26	19	15	12	25	19	15	12	18	15	12	18	15	12	17	14	12	11

Floor Cavity Reflectance .20

ZONAL LUMEN SUMMARY			
ZONE	LUMENS	% LAMP	% LUMINAIRE
180-90°	0	0	0
90-0°	1286	49	100
180-0°	1286	49	100

LUMINANCE SUMMARY (cd/m <sup>2</sup> )			
ANGLE	0°	45°	90°
45°	1141	1648	4653
55°	647	1228	4397
65°	273	515	4089
75°	0	148	3660
85°	147	147	2350