

INSTALLATION INSTRUCTIONS

P/C 510588-0000

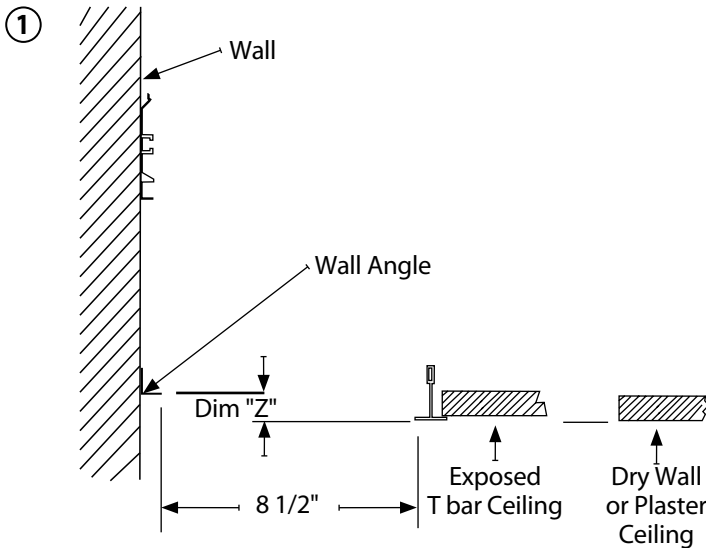
Fixture Type

Wall/Slot 85N

Diffuser Wall Angle

Do not modify or alter this product in any way, or install in any fashion which is contrary to the instructions contained herein. If you have any questions regarding this product or the installation of it, please call Litecontrol Engineering at 781 294 0100.

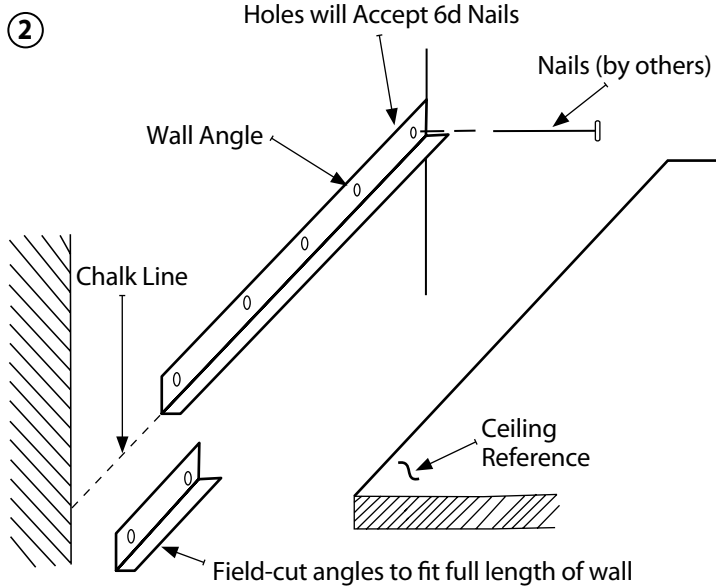
Note: Wall angles are shipped in 96" lengths - sawcut to suit field condition.



Wall Angle Table		
Type	Diffuser Position	Dim "Z"
85N00	None	Wall Angle is Not Used
	"S"	1 3/4"
	"R"	3/4"

Instructions:

1. Chalk a level line at height above ceiling per dimension "Z" at the correct diffuser position shown in table.
2. Place bottom edge of wall angle on chalk line and nail to wall using a minimum of (6) nails per 96" length. Shim behind wall angles, when necessary to maintain a uniform diffuser opening of 8 1/2".
3. Mitre cut and butt wall angles at corners.



3

Plan Views

