

INSTALLATION
INSTRUCTIONS

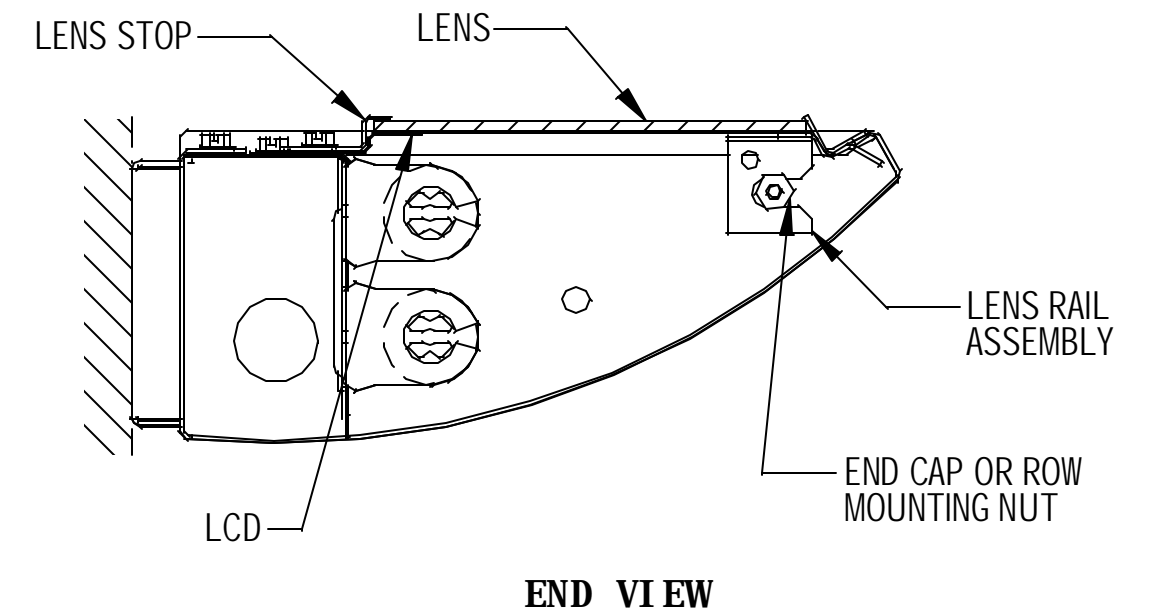
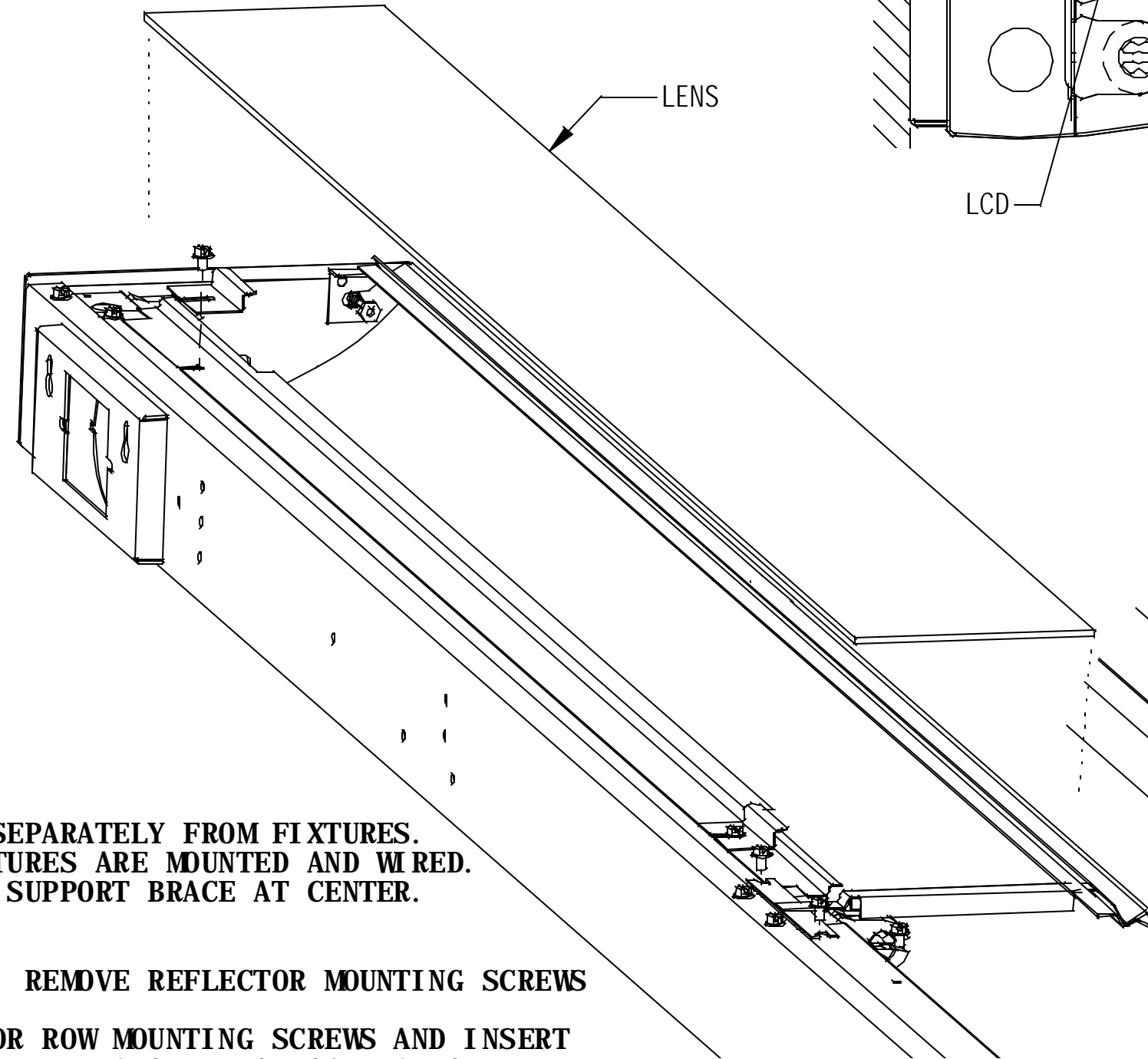
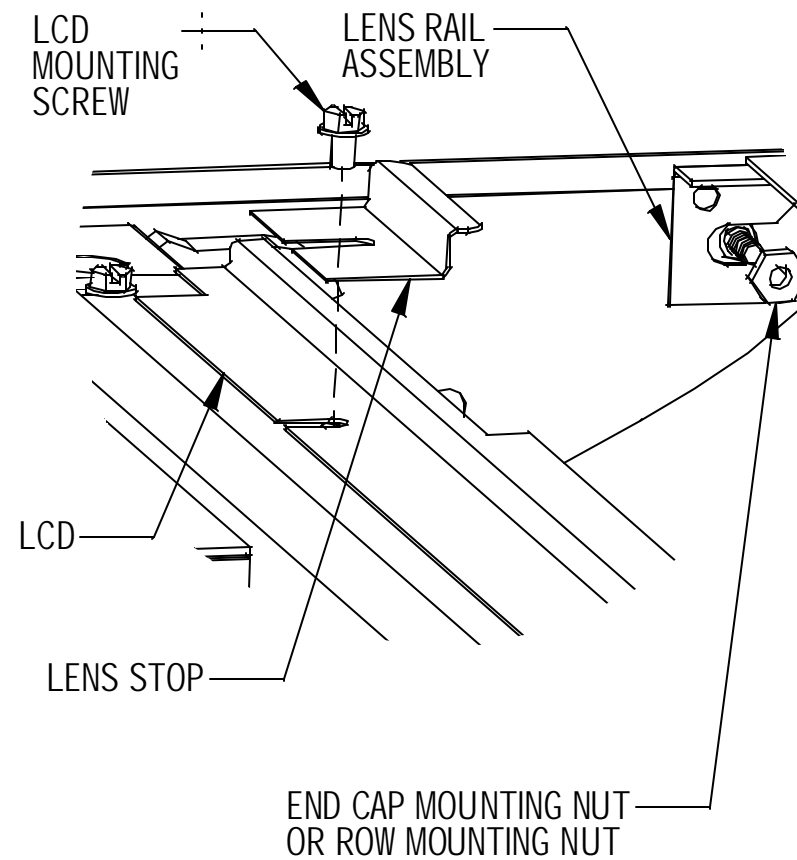
W-AI-9600 LENSE KIT

FIXTURE TYPE _____

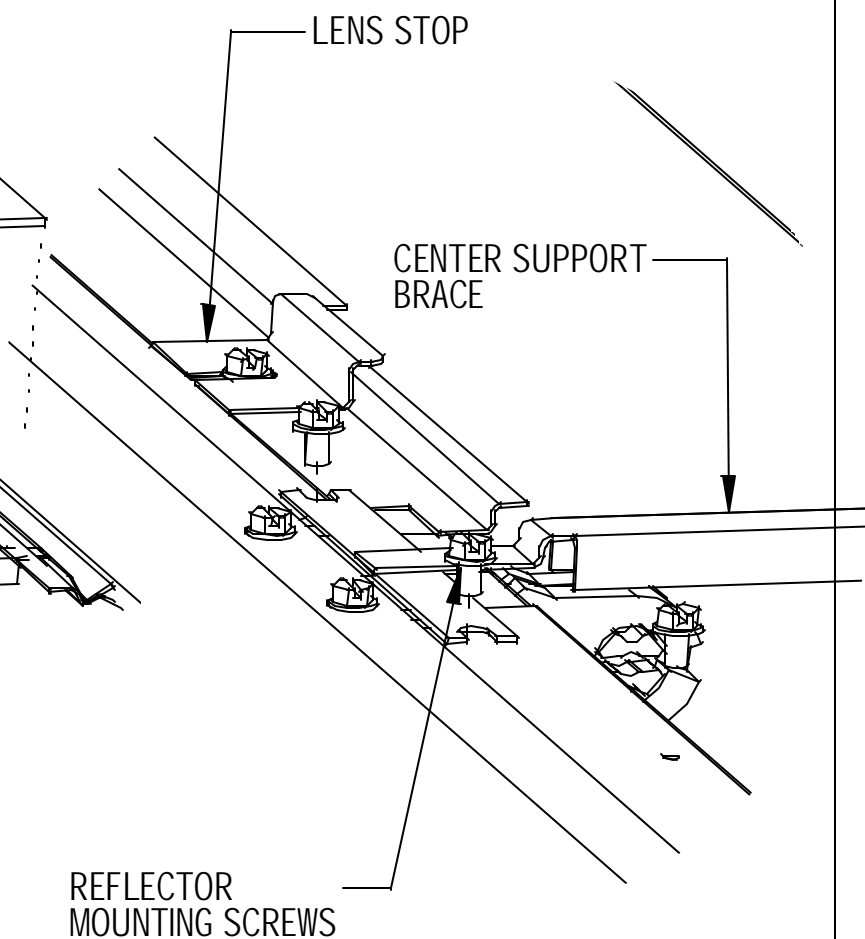
P/C 500187-1000

PG. 1 OF 1

DO NOT MODIFY OR ALTER THIS PRODUCT IN ANY WAY, OR INSTALL IN ANY FASHION WHICH IS CONTRARY TO THE INSTRUCTIONS CONTAINED HEREIN.
IF YOU HAVE ANY QUESTIONS REGARDING THIS PRODUCT OR THE INSTALLATION OF IT, PLEASE CALL LITECONTROL ENGINEERING AT 781-294-0100.



END VIEW



GENERAL NOTES:

- A) LENSES AND LENS KITS ARE SHIPPED SEPARATELY FROM FIXTURES.
- B) LENS KITS ARE INSTALLED AFTER FIXTURES ARE MOUNTED AND WIRED.
- C) 6' AND 8' LONG FIXTURES REQUIRE A SUPPORT BRACE AT CENTER.

INSTRUCTIONS:

- 1. AT THE CENTER OF 6' & 8' FIXTURES, REMOVE REFLECTOR MOUNTING SCREWS AND ATTACH CENTER SUPPORT BRACE.
- 2. LOOSEN HEX NUTS ON END CAP STUDS OR ROW MOUNTING SCREWS AND INSERT LENS RAIL ASSEMBLY AS SHOWN. TIGHTEN NUTS AFTER ATTACHING RAIL.
- 3. INSERT LAMPS: REST LENSE ON TOP OF LCD AND RAIL ASSY AS SHOWN.
- 4. LOOSEN THE SHEET METAL SCREWS HOLDING THE LCD AND INSERT LENS STOPS AT BOTH ENDS OF EACH LCD.

LITECONTROL

100 HAWKS AVENUE - HANSON MA 02341, (781-294-0100)

FORM B520140-4