

**INSTALLATION  
INSTRUCTIONS**

PART NO. 510404-3000

FIXTURE TYPE \_\_\_\_\_

P-I-5900  
FIXTURE ASSEMBLY

PG. 1  
OF 2

DO NOT MODIFY OR ALTER THIS PRODUCT IN ANY WAY, OR INSTALL IN ANY FASHION WHICH IS CONTRARY TO THE INSTRUCTIONS CONTAINED HEREIN.  
IF YOU HAVE ANY QUESTIONS REGARDING THIS PRODUCT OR THE INSTALLATION OF IT, PLEASE CALL LITECONTROL ENGINEERING AT 781-294-0100.

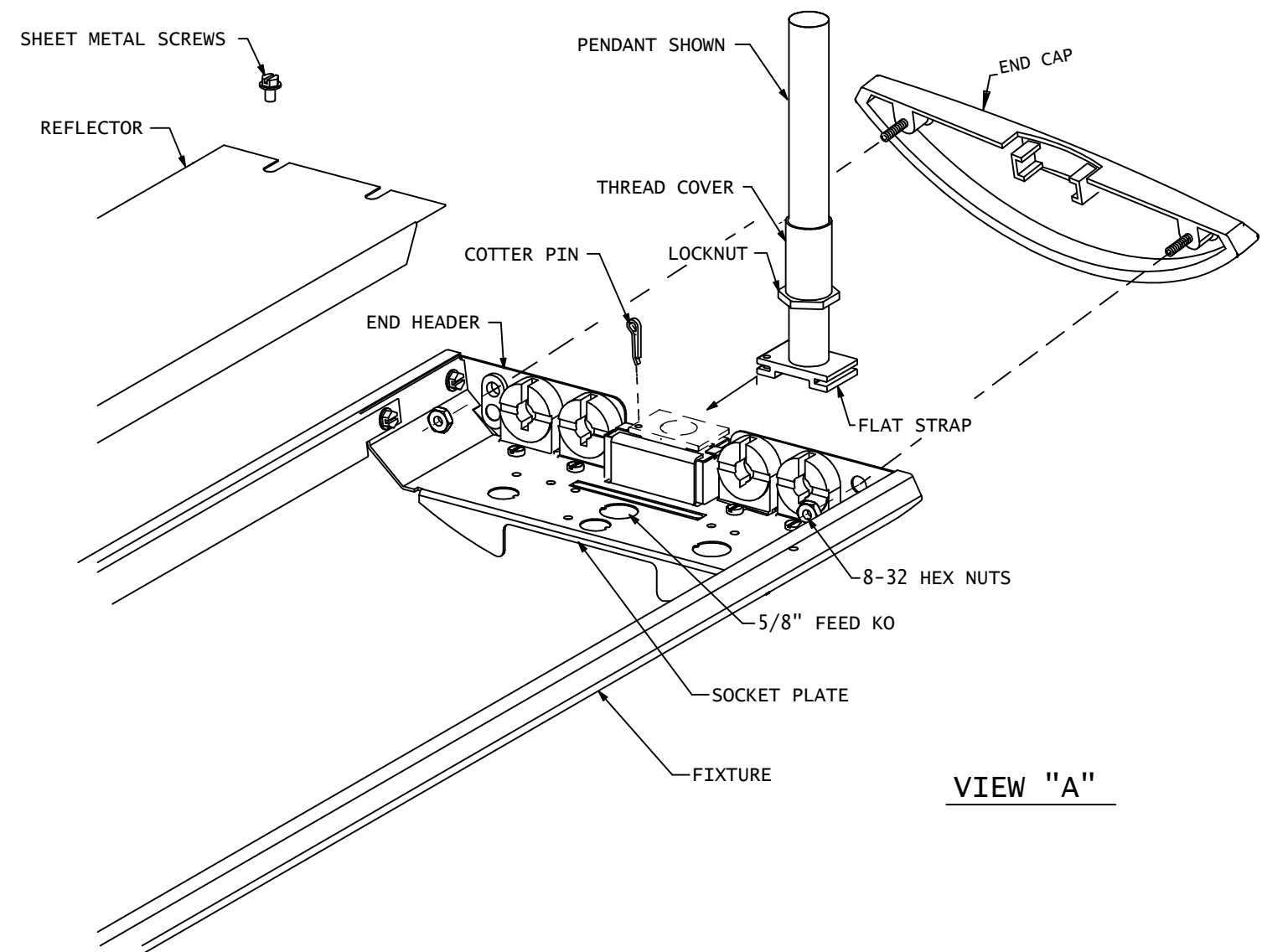
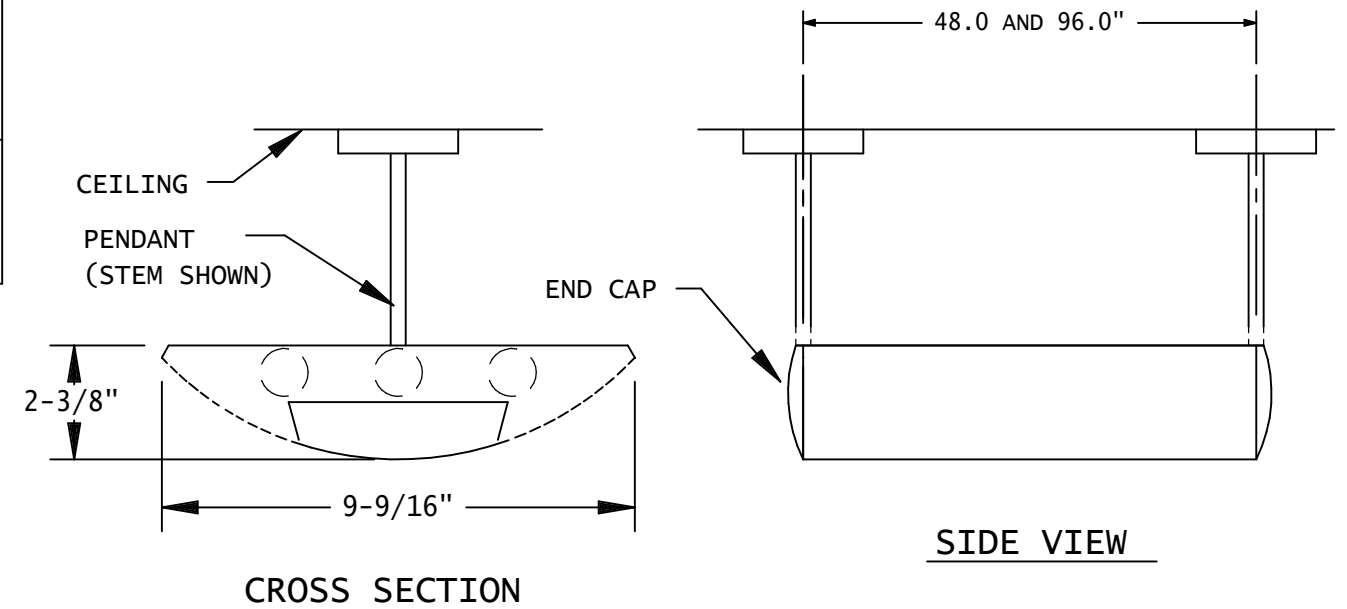
General Notes: Read Instructions completely before starting.

- A. Reflector and lamp types available may vary within this fixture family but the general installation is the same for all P-I-5900 fixtures.
- B. Leaving foam wrapping on fixtures until mounting has been completed will help protect finish from damage.

**INSTRUCTIONS:**

1. Peel back foam wrapping from fixture and lift reflectors out by removing (1) sheet metal screw at one end and loosening (1) screw at other end of reflector. See View "A".
2. **MOUNTING INDIVIDUAL FIXTURES:** (Pendants are shipped separately)
  - A) Locate pendants (stems or aircraft cables) along a straight line in ceiling per dimensions shown in SIDE VIEW. (Refer to pendant instruction sheet).
  - B) Peel back foam wrapping from both ends of fixture. Remove one 5/8" DIA knockout in housing socket plate for wire feed if aircraft cables are being used to hang fixture (feed may be run inside stems when they are used).
  - C) Slide grooves on sides of Flat Strap onto end of Housing End Header at both ends of fixture. Insert Cotter Pin thru hole in each Strap and Header.
  - D) Slide a Thread Cover onto stems (when used) and thread a locknut onto stem or aircraft cable stud. Thread Pendants into Flat Straps; See View "A".
  - E) Lift fixture and mount pendants to ceiling. Level fixture up or down by threading stems or cable studs into Flat Straps. Tighten locknuts after fixture is level.
  - F) Bring wire feed into fixture and make wiring connections.
  - G) Attach End Cap (shipped separately) by inserting studs on End Cap thru holes in End Headers and aligning grooves on Flat Strap with grooves on End Cap. Secure to fixture end with (2) #8-32 hex nuts.

GO TO STEP 5 ON PAGE 2.



**LITECONTROL**

100 HAWKS AVENUE - HANSON MA 02341, (781-294-0100)