

INSTALLATION INSTRUCTIONS

FIXTURE TYPE _____

P-ID-9700

PART NO. 510347-4000

PG. 1 OF 2

DO NOT MODIFY OR ALTER THIS PRODUCT IN ANY WAY, OR INSTALL IN ANY FASHION WHICH IS CONTRARY TO THE INSTRUCTIONS CONTAINED HEREIN. IF YOU HAVE ANY QUESTIONS REGARDING THIS PRODUCT OR THE INSTALLATION OF IT, PLEASE CALL LITECONTROL ENGINEERING AT 781-294-0100.

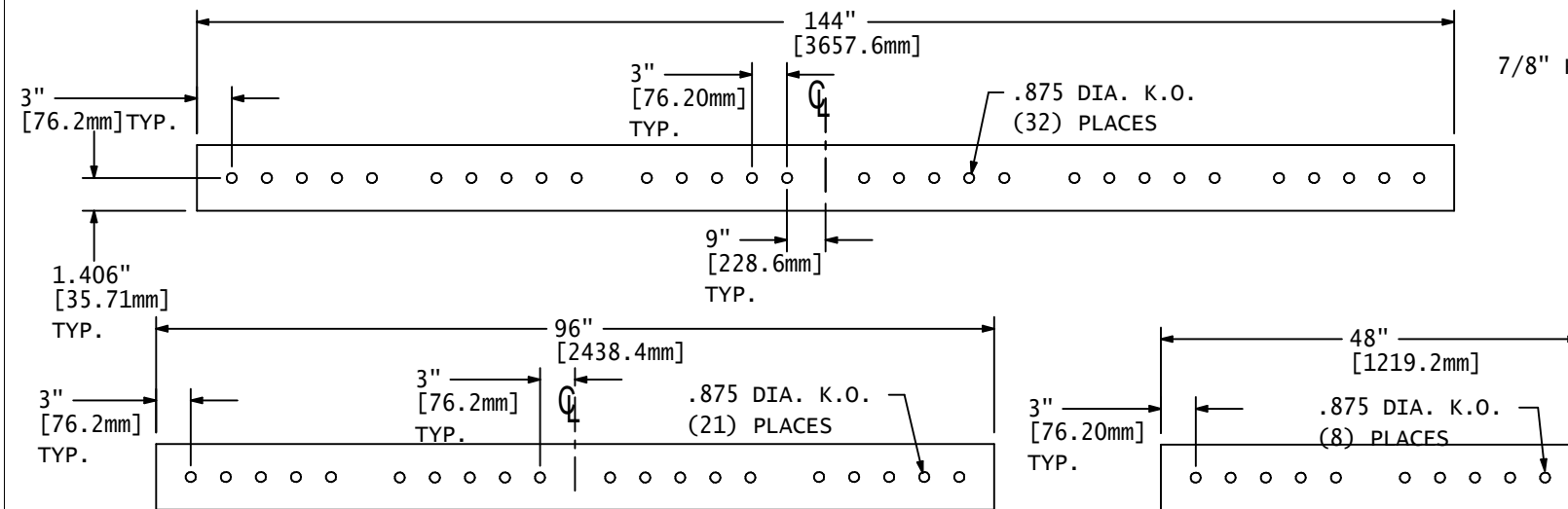
GENERAL NOTE: (READ SHEETS COMPLETELY BEFORE STARTING)

Leave protective shipping inserts and wrapping material on fixture until fixtures are mounted: This will protect finish from damage.

INSTRUCTIONS:

1. Remove Ballast covers from fixture.
2. **MOUNTING INDIVIDUAL FIXTURES:** (Pendants are shipped separately)
 - A) Locate pendants (stems or aircraft cables) along a straight line in ceiling per dimensions shown in Side View and Plan View; (Refer to pendant instruction sheet).
 - B) Peel back foam wrapping from both ends of fixture. Remove 7/8" DIA KO'S in housing top one for wire feed if aircraft cables are being used to hang fixture (or feed may be run inside stems when they are used); and two for pendant (stem) locations See PLAN VIEWS.
 - C) Thread a locknut onto pendant, thread Pendant through 7/8" hole in housing top into flat strap located inside of housing See VIEW "A" Repeat this step at opposite end of fixture.
 - D) Attach an End Cap (shipped separately) to both ends of fixture by inserting end cap studs thru holes in end headers. Secure with (2) 8-32 hex nuts making sure caps are flush with ends of housing.
 - E) Lift fixture up and mount pendants to ceiling. Bring wire feed into fixture and make connections.
 - F) Level fixture up or down by threading stems or cable studs into Flat Straps. Tighten all locknuts after fixtures are level.

GO TO STEP 5 ON PAGE 2.



PLAN VIEWS

HOUSING TOPS

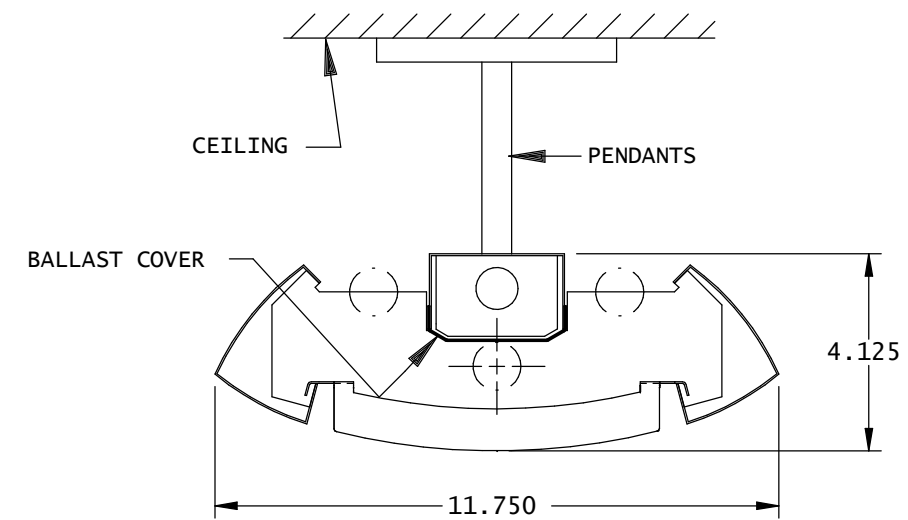
○ = KNOCKOUTS FOR PENDANT LOCATIONS

LITECONTROL

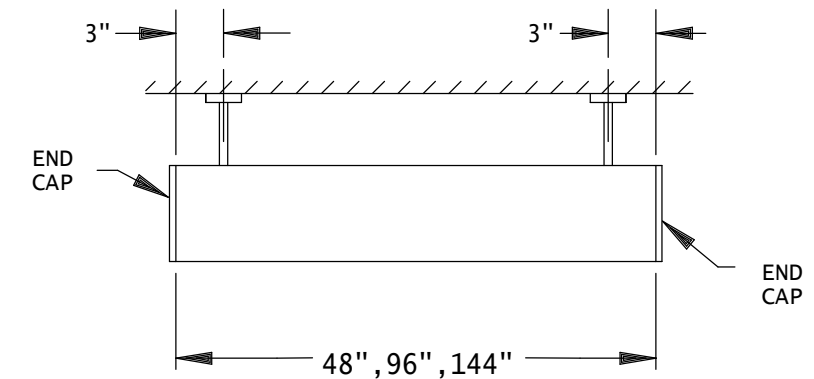
100 HAWKS AVENUE - PO BOX 100 -

HANSON MA 02341, (781-294-0100)

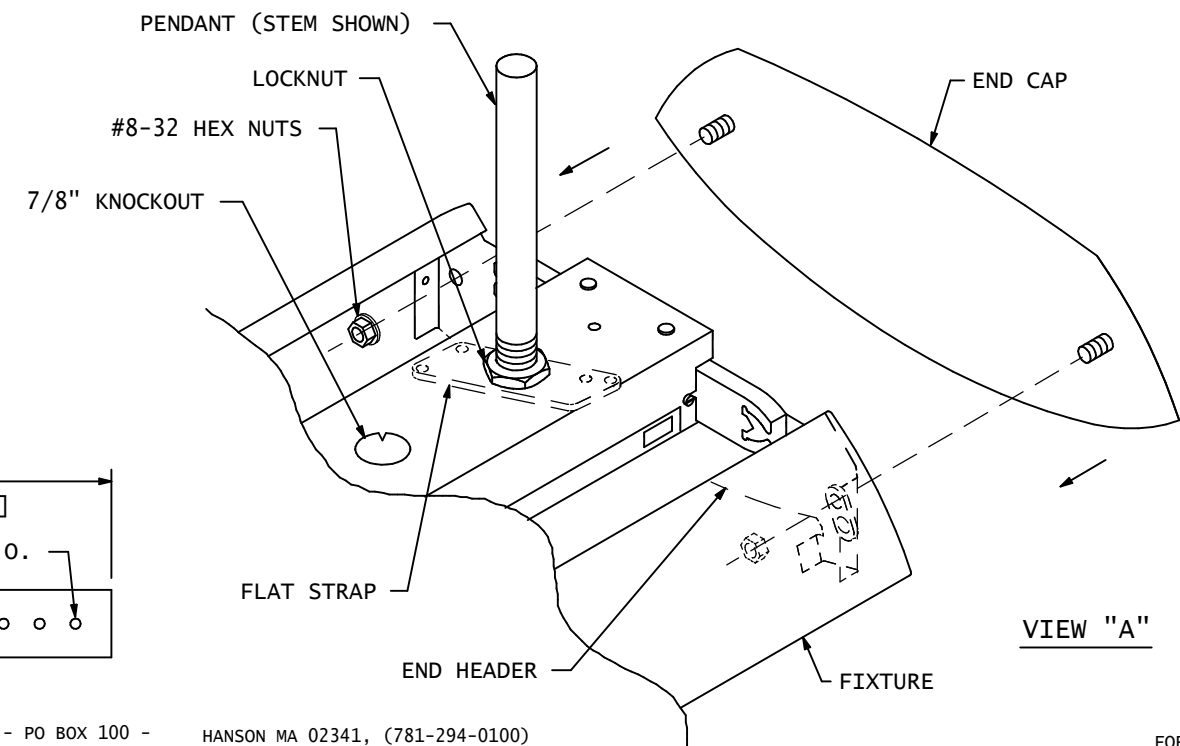
FORM B520140-2



CROSS SECTION



ELEVATION VIEW-PENDANT LOCATIONS FOR INDIVIDUAL FIXTURES



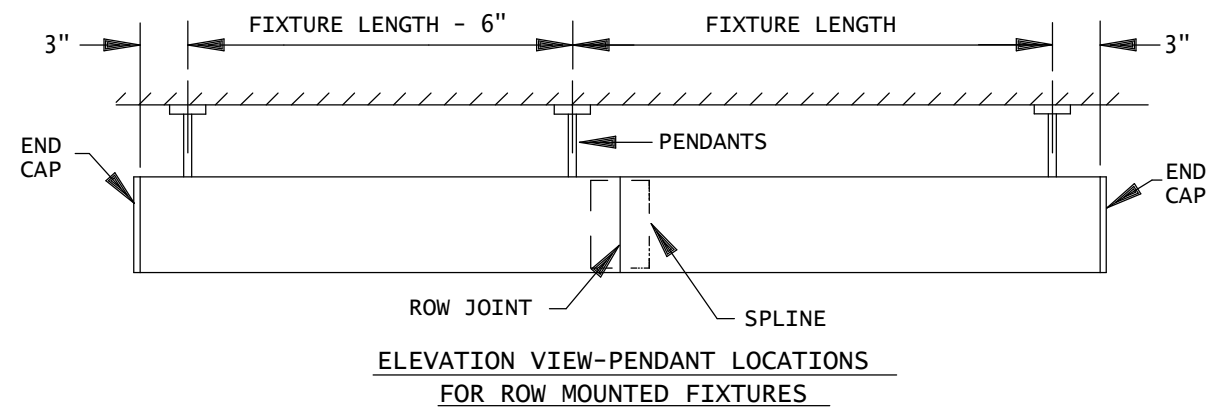
INSTALLATION INSTRUCTIONS

PART NO. 510347-4000

FIXTURE TYPE _____

P-ID-9700

PG. 2 OF 2

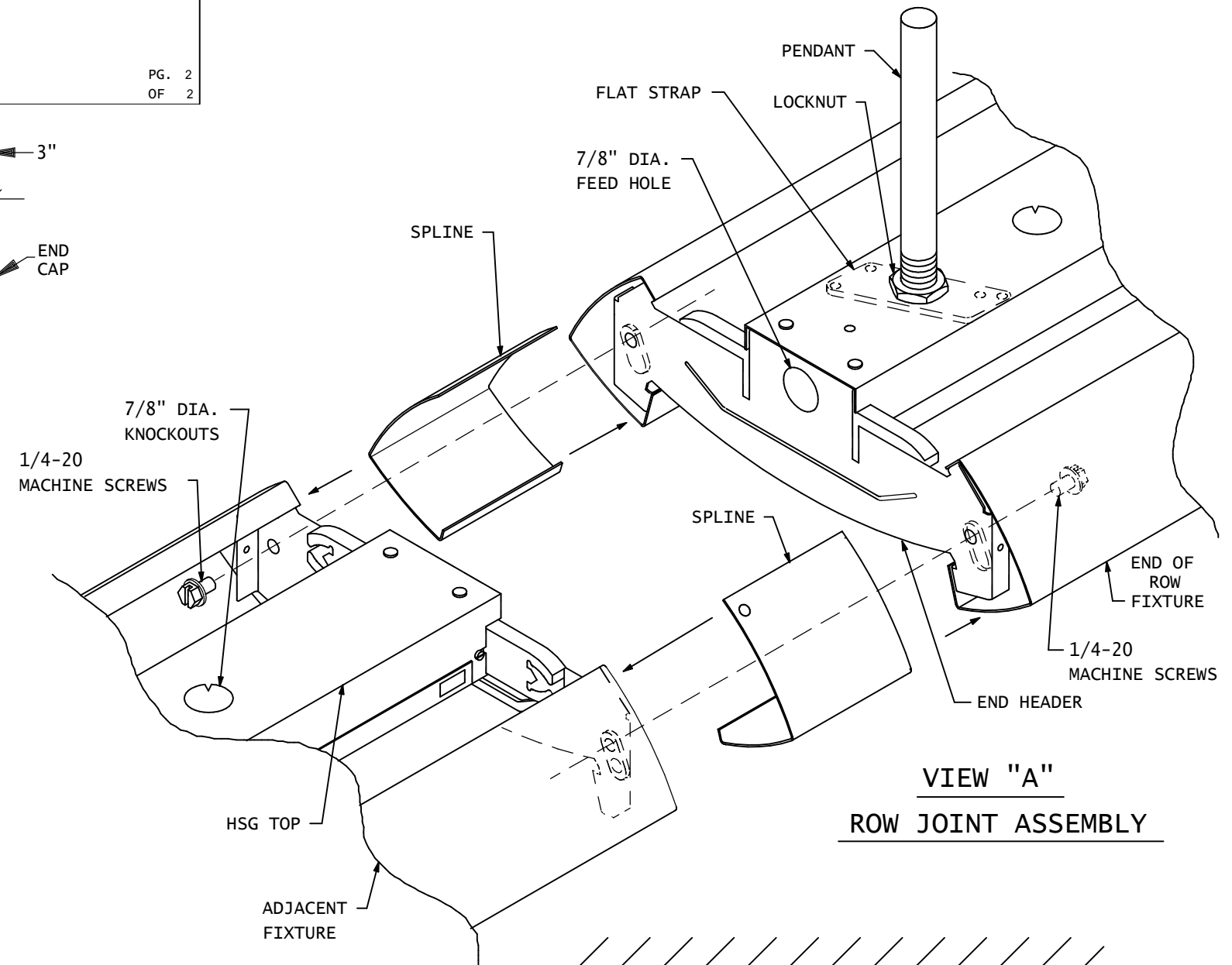


3. MOUNTING ROWS OF FIXTURES:

- A) Locate pendants (stems or aircraft cables) along a straight line in ceiling as shown in Side View above and Plan Views on sheet 1: (Refer to pendant instruction sheet). Peel back foam wrapping from both ends of all fixtures in row.
- B) Starting with a fixture at one end of row, slide two Splines into housing sides approximately 1-1/2", attach Flat Straps, Locknuts and a Pendants to housing top per step 2C on page 1.
Mount an End Cap to both end of row fixtures per step 2D.
- C) Lift fixture up and mount pendants to ceiling.
- D) Attach Locknut, Pendant, and Flat Strap to one end of the next fixture in the row. Align the opposite end of this fixture with Splines in end of row fixture, slide Splines into fixture and mount fixtures together loosely at end headers using 1/4-20 screws supplied in Polybag.
- E) Level fixtures up or down by threading stems or cable studs into Flat Straps: Repeat steps D and E for each additional fixture in row.
Level row and align seams at each joint before tightening all screws and nuts.

- 4. Bring wire feed thru the 7/8" holes in the end headers and make connections.
- 5. Replace all Ballast Covers.
- 6. Remove all shipping inserts and foam wrapping material.
Install lamps (by others).
- 7. **BAFFLE INSTALLATION: (Shipped Separately)**
Use caution when installing baffles to prevent lamp damage.

- a. Attach steel wire baffle retainers to holes in baffle.
 - b. Blade BAFFLES (BW or BA) are shifted into fixture opening and lowered into place by pulling down on baffle until lip sits on bottom rails in housing sides. SEE CROSS SECTION
8. Clean fixture exterior surfaces with a general window cleaner.



**CROSS SECTION
BAFFLE INSTALLATION**

