

**INSTALLATION INSTRUCTIONS**

FIXTURE TYPE \_\_\_\_\_

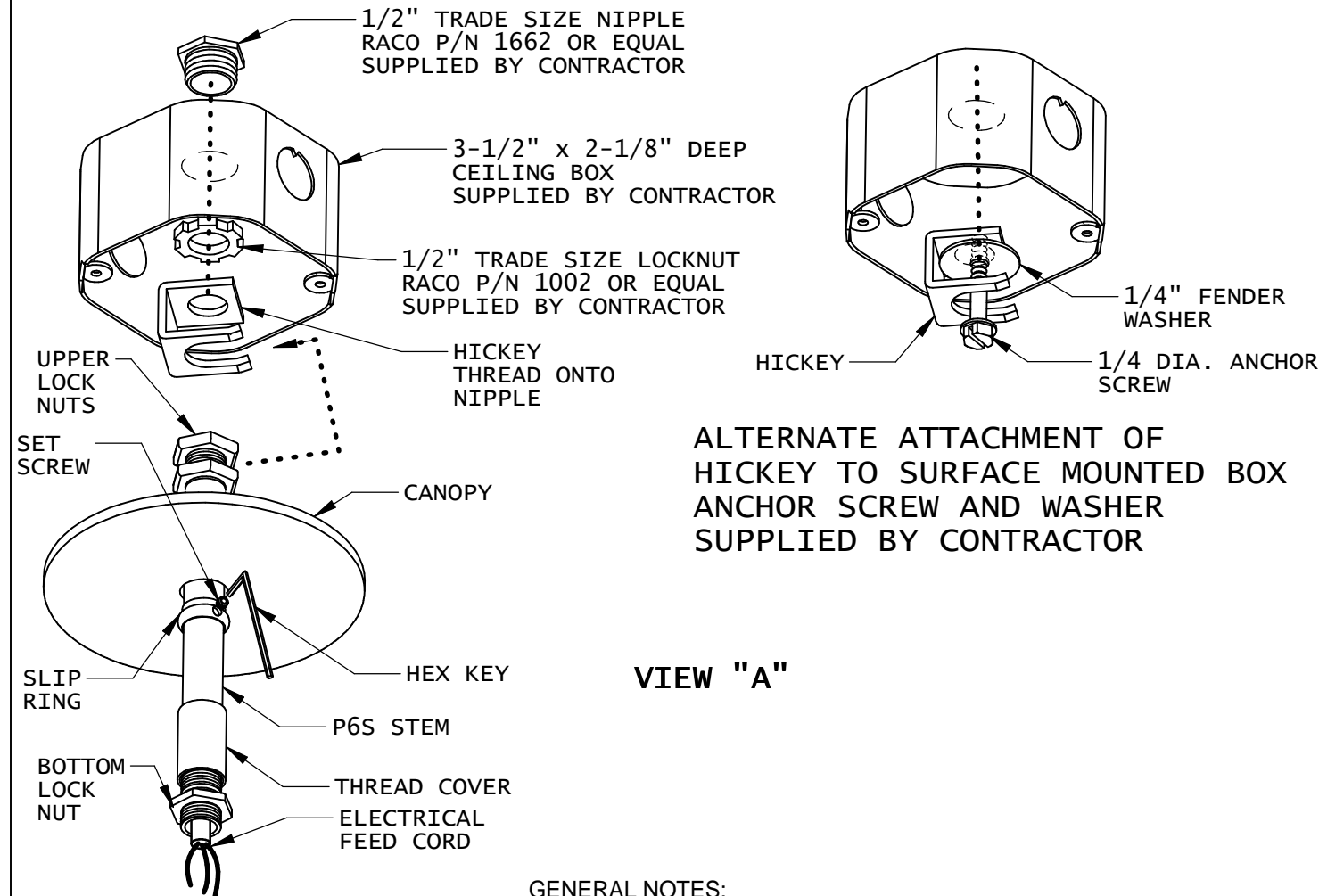
**P6S STEM ASSEMBLY P-D-0500**

P/C 510442-2000

DATE: 08-16-07

PG. 1 OF 1

DO NOT MODIFY OR ALTER THIS PRODUCT IN ANY WAY, OR INSTALL IN ANY FASHION WHICH IS CONTRARY TO THE INSTRUCTIONS CONTAINED HEREIN. IF YOU HAVE ANY QUESTIONS REGARDING THIS PRODUCT OR THE INSTALLATION OF IT, PLEASE CALL LITECONTROL ENGINEERING AT 781-294-0100.



**ALTERNATE ATTACHMENT OF HICKEY TO SURFACE MOUNTED BOX ANCHOR SCREW AND WASHER SUPPLIED BY CONTRACTOR**

**VIEW "A"**

GENERAL NOTES:

1. The P6S stem assemblies are made to install directly into a 3-1/2" x 2-1/8" deep octagonal outlet box mounted flush to ceiling. Refer to Fixture Instruction sheet for stem locations. Mounting Hickey is supplied by Litecontrol for attachment to outlet box as shown in View "A". 1/2" Trade size fittings are supplied by contractor.

**WARNING:**

1. The National Electric Code requires that any fixture weighing more than 50 pounds be independently supported of an outlet box.
2. Fixtures in rows must be supported by a minimum of one stem (or cable) at the junction of every two fixtures plus one at each end of row. This is considered equivalent to two stems or cables per fixture by "Underwriters Laboratories",
3. These fixture supports are to be used only in conjunction with LITECONTROL products for which they were furnished: DO NOT use them for support of other items or in any fashion contrary to this instruction sheet.

PRE-ASSEMBLING STEMS: (Refer to View "A")

1. Slide Canopy, Slip Ring and Thread Cover onto stem and thread Locknut onto bottom of stem. Loosely thread set screw into Slip Ring with Hex Key provided.
2. Stems longer than 102" are provided in 2 sections coupled together with NPSC coupling. See View "B".
3. Mount Hickey to inside of outlet box as shown in View "A".
4. Electrical Feed Cord is bulk packaged and shipped separately. Cut off enough cord to run from outlet box to inside of fixture and add 12". Make wiring connections in outlet box and let cord hang down.

INSTALLATION OF STEMS TO FIXTURES.

1. Refer to instructions packaged with fixture to prepare it for hanging and location of pendants.

**A) INDIVIDUALLY MOUNTED FIXTURES:**

Remove the 7/8" knockouts at both ends of fixture. Slide Pendant strap into both ends of fixture as shown in View "C" and attach to underside of housing with one # 8-32 hex head machine screw.

**B) ROW OF FIXTURES:**

A Pendant strap is attached to the fixture at the end of the row (where an End Cap is located) per step A above. At row joint end of this fixture, another Pendant strap is attached with (1) #8-32 hex head screw and positioned so that half of it extends out from the end. Abutting fixture is slid onto this strap and secured with another #8-32 screw. See View "D".

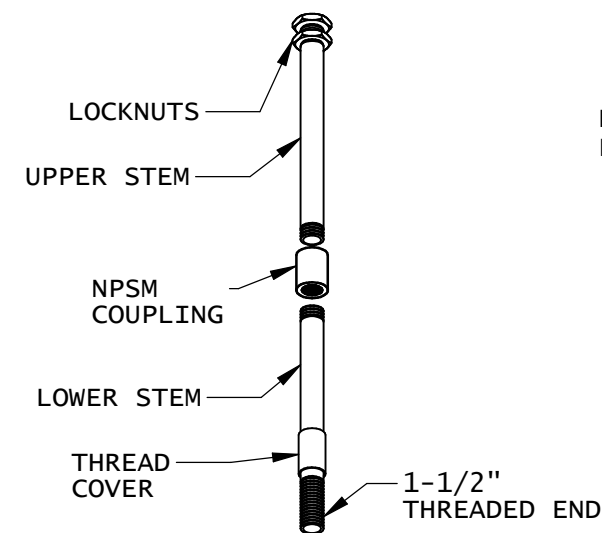
Note: Remove the 7/8" knockouts in fixtures at Stem locations only. Repeat this step for each additional fixture in row.

2. Thread stems into Pendant straps and lift fixture up until upper locknuts hook onto hickey. Note: Run feed cord down thru center of stem during this step. Tighten lower locknuts against hickey.

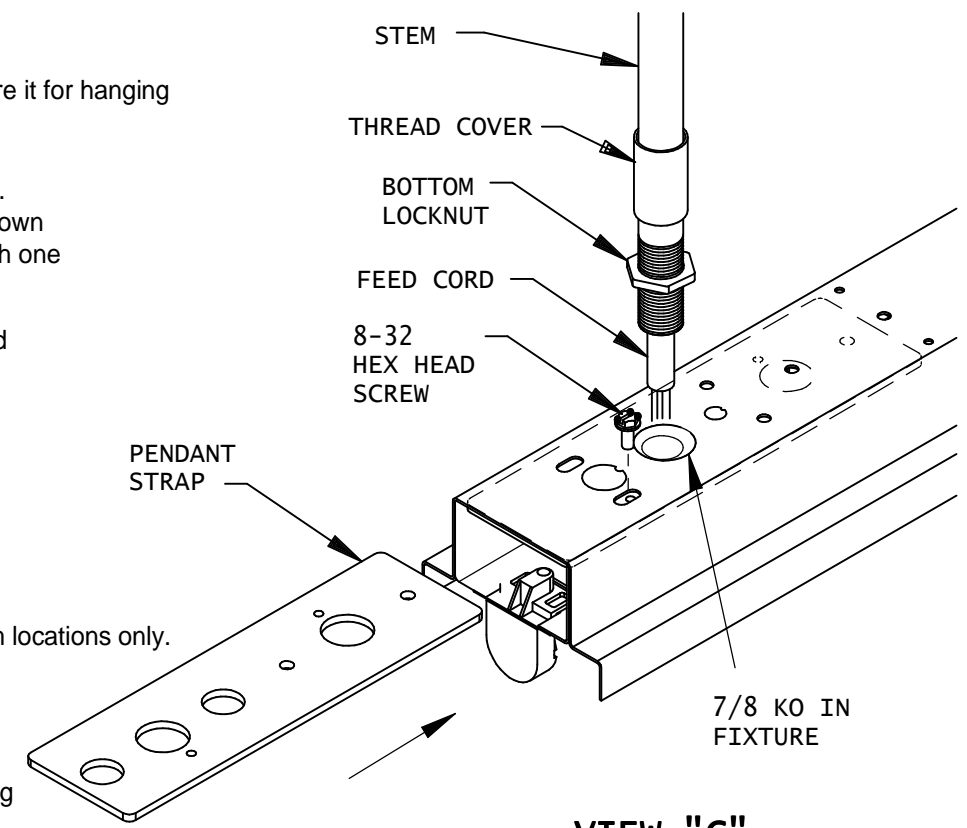
3. Approximately 1" of vertical adjustment is available for leveling fixtures, by threading stem up or down in straps. Tighten bottom locknuts after leveling fixtures and slide Thread Covers down against locknut.

CANOPY INSTALLATION: (Refer to view "A")

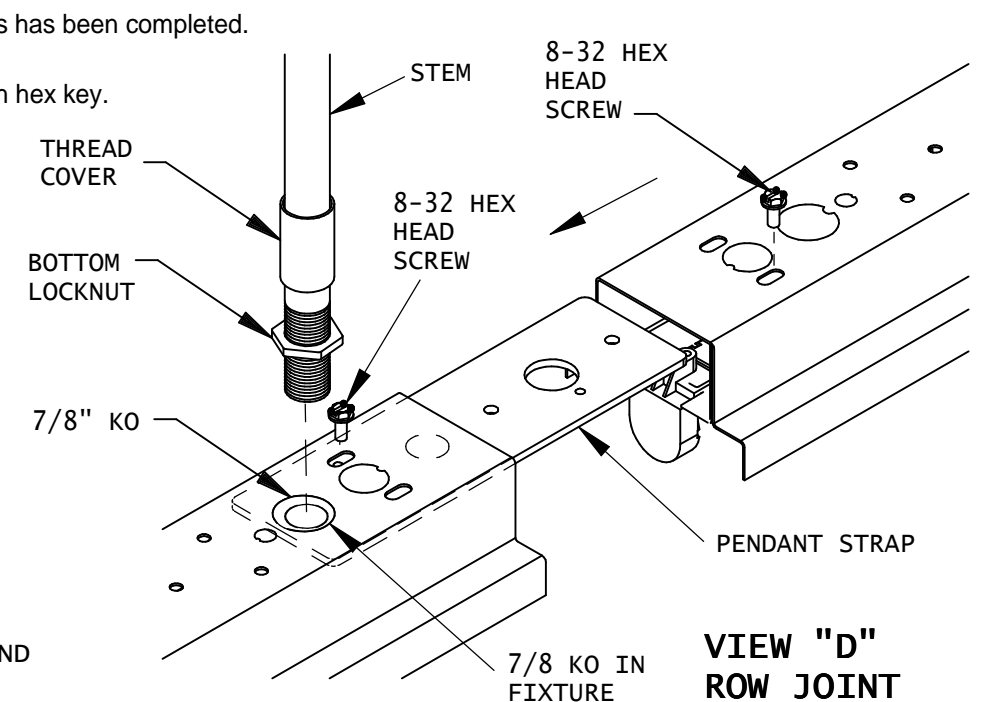
1. Canopies are installed after wiring in outlet boxes has been completed.
2. Slide Canopy up flush against ceiling and with Slip-ring up against canopy, tighten setscrew with hex key.



**VIEW "B"**



**VIEW "C"**



**VIEW "D" ROW JOINT**