

INSTALLATION INSTRUCTIONS

PART NO. 510319-5000

FIXTURE TYPE _____

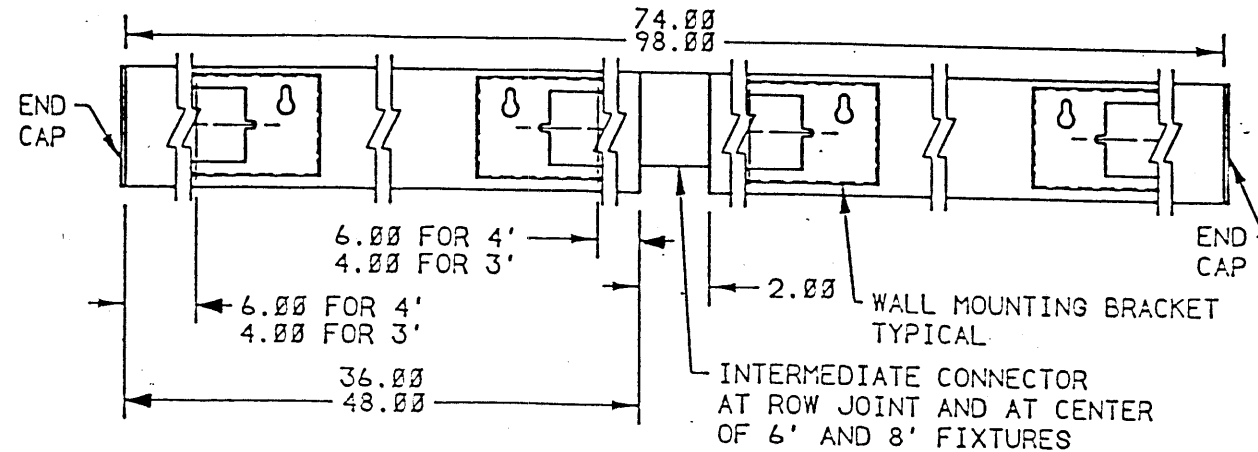
FIXTURE W-AI-5500

Pg. 1 OF 3

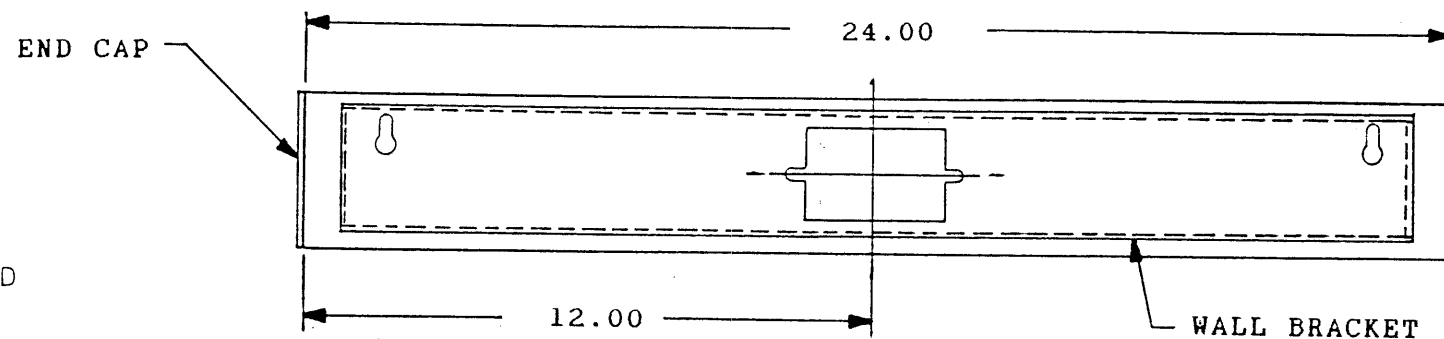
DO NOT MODIFY OR ALTER THIS PRODUCT IN ANY WAY, OR INSTALL IN ANY FASHION WHICH IS CONTRARY TO THE INSTRUCTIONS CONTAINED HEREIN. IF YOU HAVE ANY QUESTIONS REGARDING THIS PRODUCT OR THE INSTALLATION OF IT, PLEASE CALL LITECONTROL ENGINEERING AT 781-294-0100

INSTRUCTIONS: (READ ALL INSTRUCTIONS BEFORE INSTALLATION)

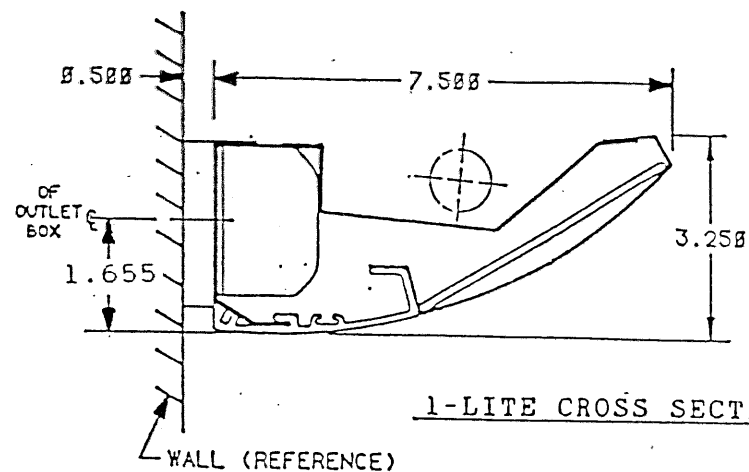
1. SEE SIDE VIEW DETAILS FOR LOCATIONS OF WALL MOUNTING BRACKET(S) AND WIRING HOLES.
2. NOTE: WALL BRACKET(S) (W-AI-5500-WALL BRKT-CWM ARE SHIPPED SEPARATELY) SHOULD BE MOUNTED PRIOR TO INSTALLING FIXTURE(S) REFER TO INSTRUCTION SHEET B510320. (2) BRACKETS PER 3' AND 4' FIXTURES AND (4) BRACKET(S) PER 6' AND 8' FIXTURE ARE REQUIRED.
3. LIFT REFLECTOR(S) OUT OF FIXTURE BY REMOVING #8 SHEET METAL SCREWS. REMOVE HAREWARE POLYBAG FROM INSIDE OF FIXTURE.
4. MOUNTING FIXTURE:
 - A. FOR INDIVIDUAL FIXTURES: REMOVE 2" DIA K.O. IN BACK OF HOUSING AT FEED POSITION. LIFT FIXTURE ON TO WALL BRACKET STUDS AND SECURE WITH 1/4-20 FLANGE NUTS. BRING GROUNDED FEED INTO FIXTURE WIREWAY AND MAKE WIRING CONNECTIONS.
 - B. FOR ROW MOUNTING: START WITH END OF ROW FIXTURE AND MOUNT INTERMEDIATE CONNECTOR (SHIPPED SEPARATELY) TO ONE END FIXTURE OF WITH 1/4-20 MACHINE SCREWS (PER INSTRUCTION SHEET B510318). LIFT FIXTURE ONTO WALL BRACKET(S) AND ATTACH LOOSELY WITH 1/4-20 HEX FLANGE NUTS. MOUNT INTERMEDIATE CONNECTOR TO THE NEXT FIXTURE IN ROW. LIFT FIXTURE ONTO WALL BRACKET(S) AND ATTACH LOOSELY WITH 1/4-20 HEX FLANGE NUTS. ATTACH FIXTURE TO INTERMEDIATE CONNECTOR OF ADJOINING FIXTURE WITH 1/4-20 MACHINE SCREWS (NOTE TAKE CARE TO ALIGN RADIAL EDGES OF FIXTURES WITH RADIAL EDGES OF INTERMEDIATE CONNECTOR). REPEAT FOR NEXT FIXTURES IN ROW. WHEN COMPLETE ROW HAS BEEN INSTALLED, LEVEL FIXTURES AND TIGHTEN WALL BRACKET MOUNTING HARDWARE.



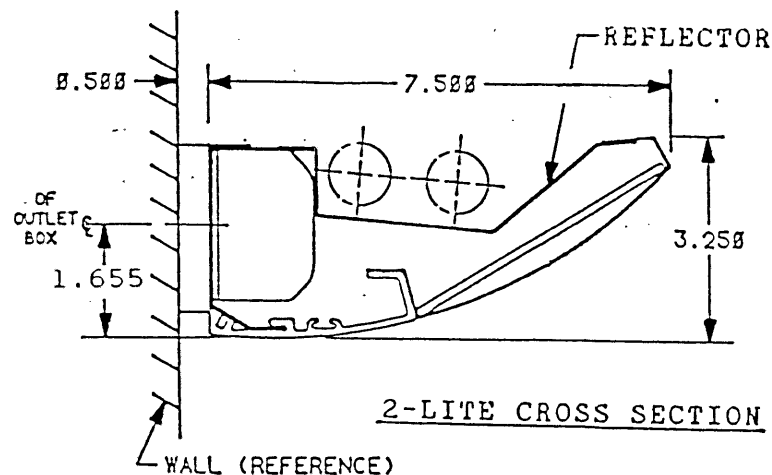
BACK VIEW



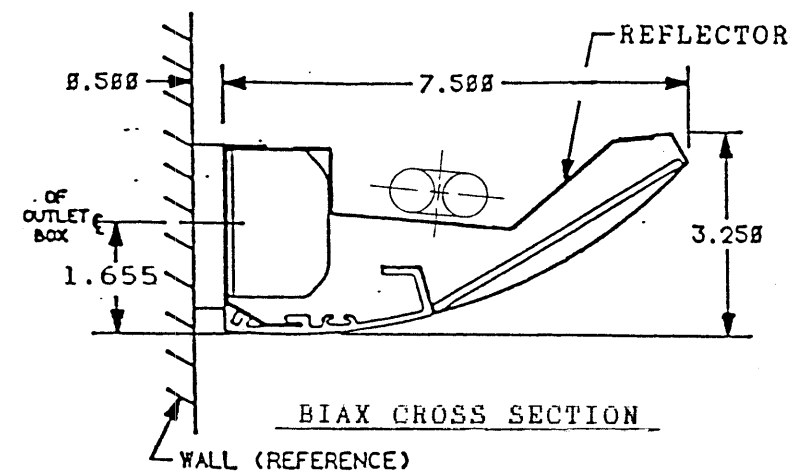
BACK VIEW (2' FIXTURE)



1-LITE CROSS SECTION



2-LITE CROSS SECTION



BIAX CROSS SECTION

LITECONTROL

100 HAWKS AVENUE - PO BOX 100 - HANSON MA 02341,

**INSTALLATION
INSTRUCTIONS**

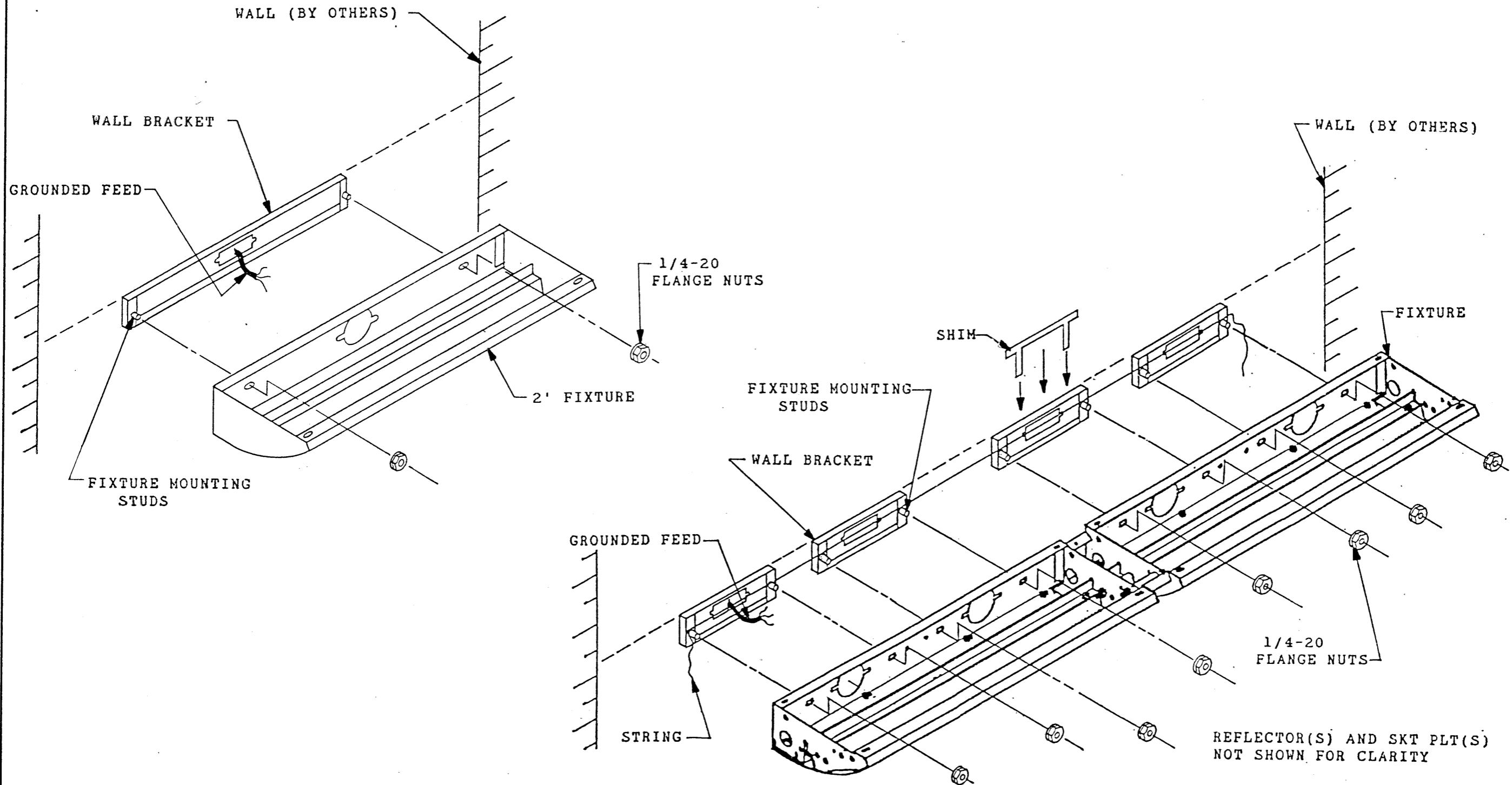
FIXTURE TYPE _____

**FIXTURE
W-AI-5500**

PART
NO. 510319-5000

PG. 2
OF 3

DO NOT MODIFY OR ALTER THIS PRODUCT IN ANY WAY, OR INSTALL IN ANY FASHION WHICH IS CONTRARY TO THE INSTRUCTIONS CONTAINED HEREIN.
IF YOU HAVE ANY QUESTIONS REGARDING THIS PRODUCT OR THE INSTALLATION OF IT, PLEASE CALL LITECONTROL ENGINEERING AT 781-294-0100



INSTALLATION INSTRUCTIONS

FIXTURE TYPE _____

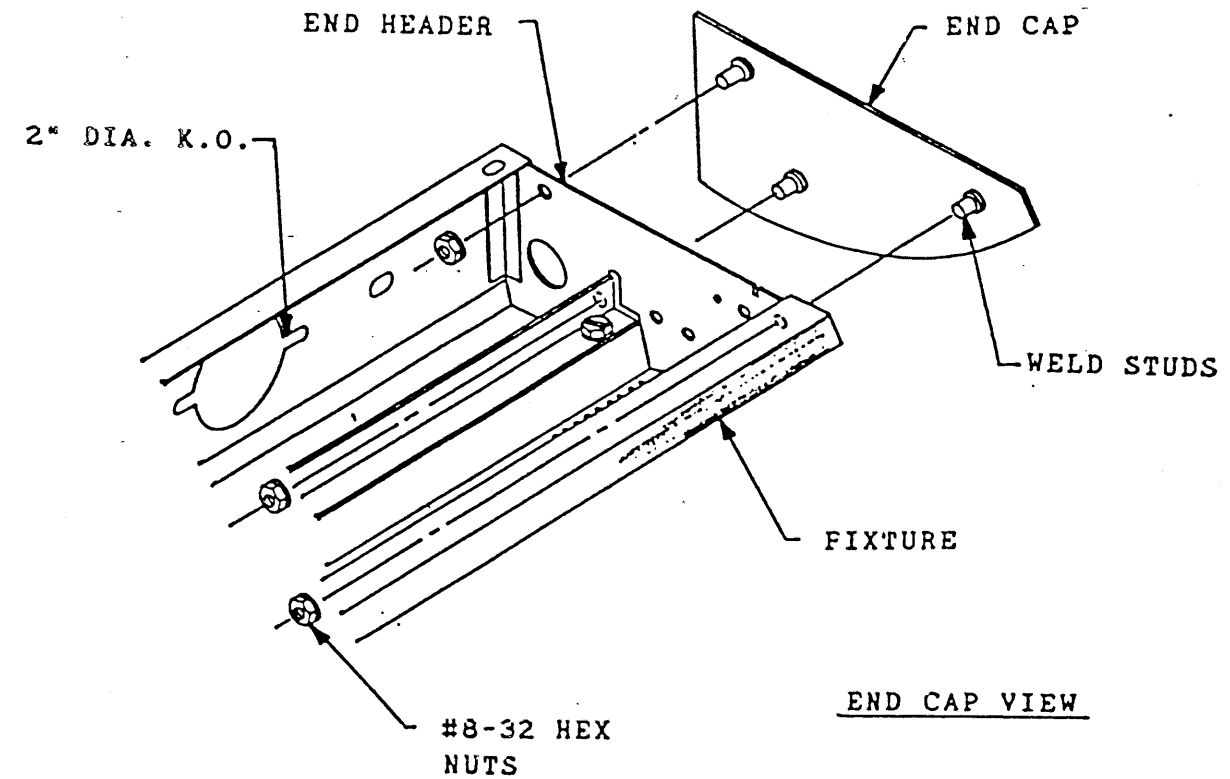
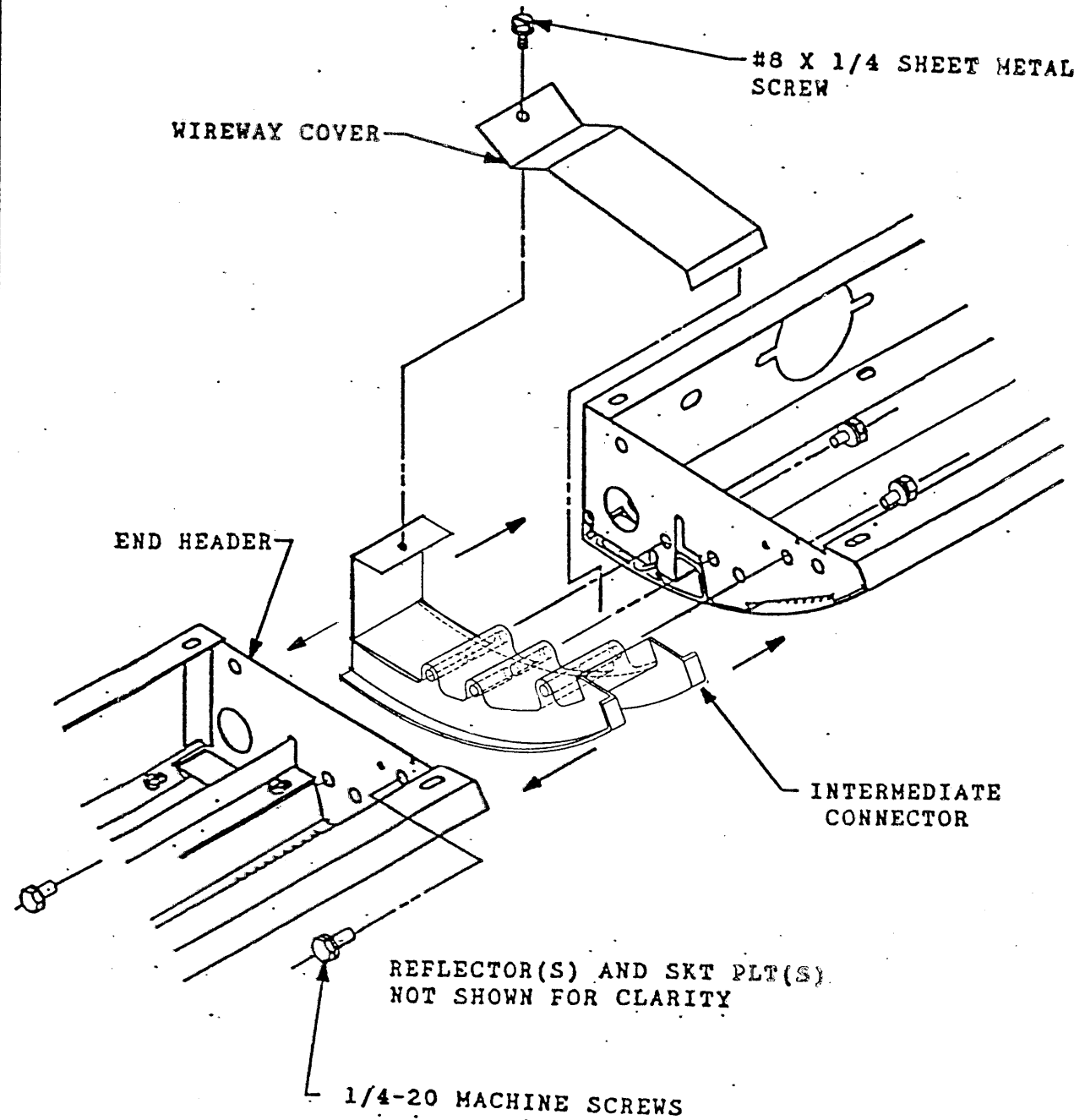
FIXTURE W-AI-5500

PART NO. 510319-5000

Pg. 3
OF 3

DO NOT MODIFY OR ALTER THIS PRODUCT IN ANY WAY, OR INSTALL IN ANY FASHION WHICH IS CONTRARY TO THE INSTRUCTIONS CONTAINED HEREIN. IF YOU HAVE ANY QUESTIONS REGARDING THIS PRODUCT OR THE INSTALLATION OF IT, PLEASE CALL LITECONTROL ENGINEERING AT 781-294-0100

5. ATTACH END CAPS PER INSTRUCTION SHEET A510317. (NOTE END CAPS ARE SHIPPED SEPARATELY.) SEE END CAP VIEW.
6. REPLACE REFLECTOR(S) IN FIXTURE.
7. INSTALL LAMPS (LAMPS BY OTHERS).
8. CLEAN FIXTURE EXTERIOR WITH A GENERAL WINDOW CLEANER (I.E. WINDEX)



ORIGINAL