

Mod™

LG-D-66N

Exposed Grid Ceiling Recessed Direct

Product Description

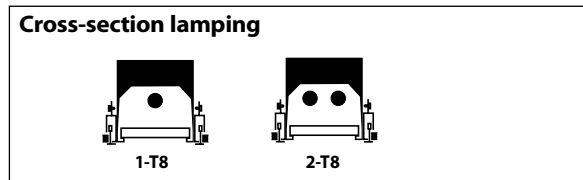
Recessed linear modular direct luminaire for exposed grid ceilings which offers a variety of shielding options. UL Listed. This fixture is Cradle to Cradle Silver Certified™ by MBDC.

Ordering Guide

Product, Lamping, & Length					Options							
LG -	D -	66N			T8 -		CWM -					
Mounting	Distribution	Series	Lamp Count	Nominal Length(ft)	Lamp Type	Baffle or Diffuser	Finish	Position	Ballast	Tandem Wiring	Other options	Volts
LG Recessed (exposed grid ceiling)	D Direct	66N	1, 2 →	2	T8	BW FP PARSS (1-lamp) PAT.19 PBSS XA see Baffle and Diffuser Options	CWM (matte white) is standard	IND INT EOR see Position Options	ELB10 is standard DA/MK7 DL/ECO DO/HEL see Ballast Options	-- TW	CCEA EF F see Other options	120 277
			1, 2 →	3								
			1, 2 →	4								
			2, 4 →	6								
			2, 4 →	8								
			see notes									

notes:
Lamp Count = total number of lamps in the fixture
Tandem wiring not available for one lamp cross-sections.
For Ordering Guide information in shaded areas, choose selection by reading ACROSS the shaded areas for correct specifications.

LG-D-66N26T8-PBSS-CWM-INT-ELB10-TW-EF-120 is a typical catalog number for a 2-lamp (1 lamp in cross-section), 6-foot long T8 fixture with parabolic reflector/baffle, matte white finish, intermediate position, tandem-wired electronic ballast, emergency fluorescent ballast, 120 volts.



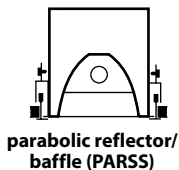
Baffle & Diffuser Options

- BW** Blade White baffles with matte white finish.
- FP** Flat plastic white acrylic lens, regressed.
- PARSS** Parabolic semi-specular reflector baffle (one-lamp only).
- PAT.19** Thick extruded acrylic lens with square prisms, regressed.
- PBSS** Parabolic semi-specular baffle. 1.4" high x 2" OC.
- XA** Extruded acrylic lens, with conical prisms, regressed.

Ballast Options

Specify in place of **ELB10**, contact factory for availability/compatibility with lamping:

- DA/MK7** Advance Mark VII dimming ballast.
- DL/ECO** Lutron ECO-10 dimming ballast.
- DO/HEL** Osram Sylvania dimming ballast.



Other Options

- CCEA** City of Chicago Environmental Air Modification.
- EF** Emergency Fluorescent Ballast. Battery-powered ballast from a UL Listed manufacturer will operate one lamp for 1 1/2 hours.
- F** Fuse. Slow or fast blow, determined by Litecontrol.

Questions to Ask

1. Row information, including desired fixture lengths?
2. Baffle or diffuser type? 3. Ballast options?
4. Fixture Position? 5. Other options? 6. 120 or 277 volt?



Specifications

HOUSING. Die-formed and welded steel, with 3/8" regression at housing bottom for rigidity and appearance. Continuous mounting rail along sides, with bottom flange regressed 1/16", is used as lateral spacing aid between main T-bars, and allows clearance for T-bar supporting wires, and accepts mounting of side clips. Furnished with 6" long, 20-gauge steel splines for precise alignment at joints. End headers have clearance holes for easy row installation and are notched under lamps for more even diffuser luminance and continuous baffle appearance. End caps that straddle T-bars attach to ends of individual fixtures and ends of rows.

REFLECTOR. Standard: Die-formed steel with high-reflectance white finish. **Parabolic Reflector/Baffle (PARSS):** Semi-specular anodized aluminum, one-piece parabolic reflector with 1.4" high x 2" OC parabolic baffles. For use with one-lamp cross-section fixtures only.

LAMPING. Available in one- and two-lamp T8.

BALLAST. Electronic Ballast (**ELB10**), high power factor, thermally protected Class P, Sound Rated A, less than 10% THD, manufactured by a UL Listed manufacturer, as available, determined by Litecontrol. Ballasts with a voltage range of 120 to 277 will be used when fixture configuration and ballast availability allow. The minimum number of ballasts will be used.

BALLAST DISCONNECT. Fixture supplied with a ballast disconnect device to enable compliance with the NEC.

TANDEM WIRING. When selected from Ordering Guide below, fixtures wired to switch in-line lamps separately, providing two levels of light (two-lamp cross-section fixtures only).

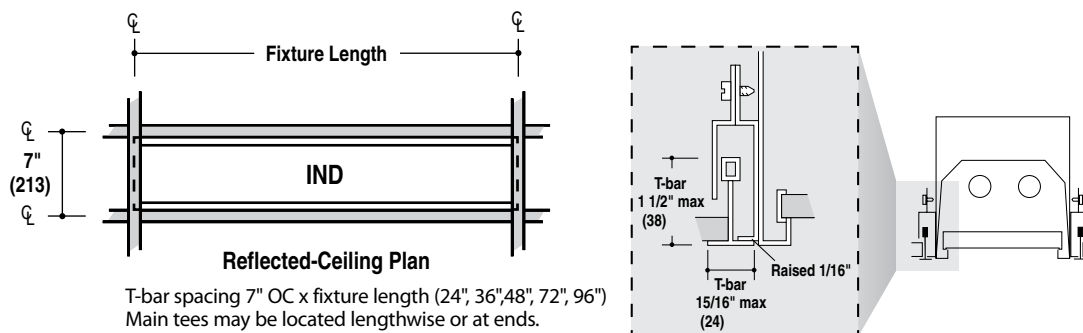
MOUNTING. For installation in exposed inverted T-bar grid ceilings (NEMA type GF 1 1/2" high T-bar) only. Side T-bar clips and T-bar end caps provided; field installed by contractor. Knockouts in housing top for mounting and wiring. Holes provided in mounting rail for S-hooks of chain supports.

SYSTEM CONNECTORS. Filler sections and corners available, see Planning For Installation and Connectors sections.

CERTIFICATION. Fixture and electrical components are UL and/or CUL Listed (UL LISTED), and bear the I.B.E.W., A.F. of L. label. This fixture is Cradle to Cradle Certified^{CM} Silver by MBDC. Note: Litecontrol reserves the right to change specifications without notice for product development and improvement.

Planning for Installation

Individual Fixtures (IND)

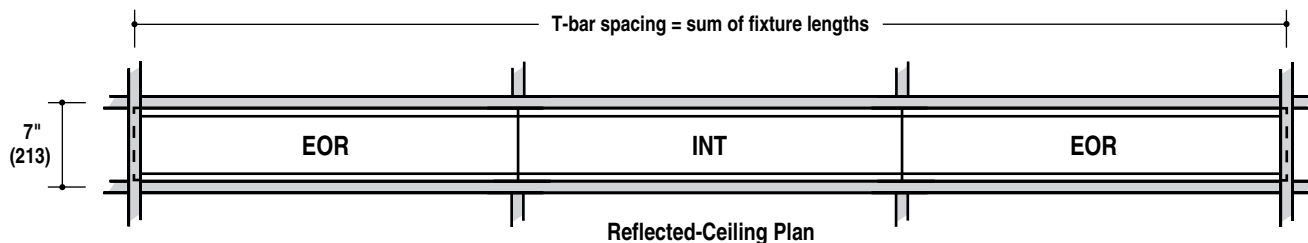


Row Mounting Fixtures

End of Row Fixtures (EOR) & Intermediate Fixtures (INT)

Row is comprised of fixtures of standard lengths: 2', 3', 4', 6' and 8'.

End of Row fixtures (EOR) are used at ends, Intermediate fixtures (INT) are used between. Continuous opening in ceiling is framed by main tees parallel to row, spaced 7" OC and at end of row, spacing equal to the sum of the fixture lengths.



LITECONTROL

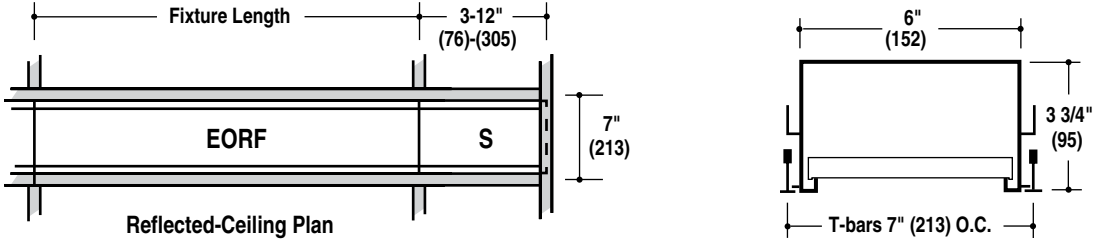
100 Hawks Avenue Hanson, MA 02341
781 294 0100 f: 781 293 2849 litecontrol.com



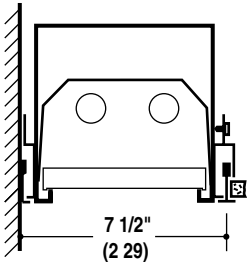
Planning for Installation

Filler Section (FS)

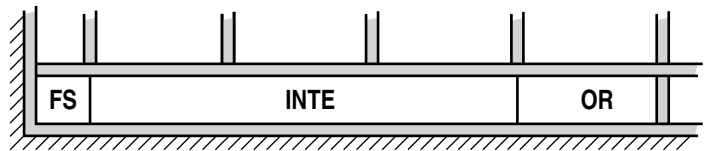
Filler Section is a non-lighted assembly, field-trimmable aluminum 3"-12" long. Includes diffuser that matches those in rows, for continuous installed appearance. Baffle blade spacing discontinuity may occur, depending on field-cut length result. To preserve uniformity of rows, use only when necessary at row ends, preferably, or between fixtures. Filler sections, due to their low height for easy field-trimming, contain no wireway.



Wall Mounting



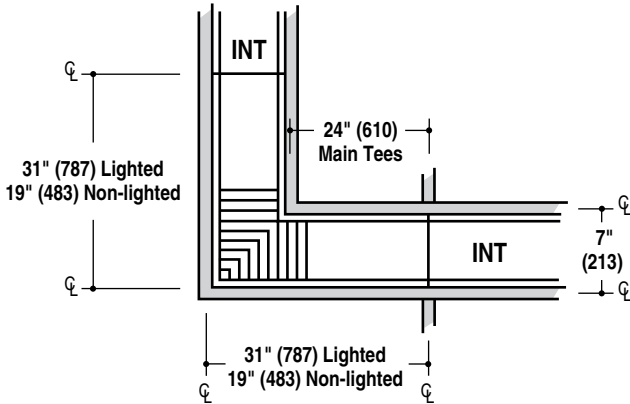
Light opening is framed by wall angles and a main tee spaced 7 1/2" from wall. Horizontal flange of wall angle should be 15/16". Corners are not available for wall-mount systems.



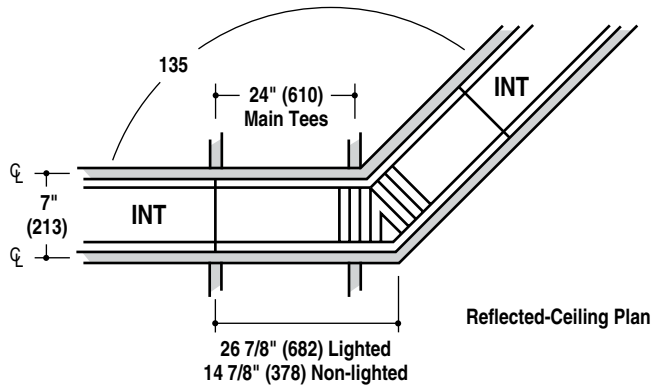
Corners (C90L, C90NL, C135L, C135NL)

Corners are available as either Lighted or Non-lighted. Lighted corners consist of (4) F17T8 lamps, staggered for best light distribution. Corners are of one-piece construction, ready to install, with diffusers that match adjoining fixtures, for continuous lighted appearance. Fixtures cannot be butted to form corners.

**Lighted 90° (C90L)
Non-lighted 90° (C90NL)**



**Lighted 135° (C135L)
Non-lighted 135° (C135NL)**



Connectors Ordering Guide

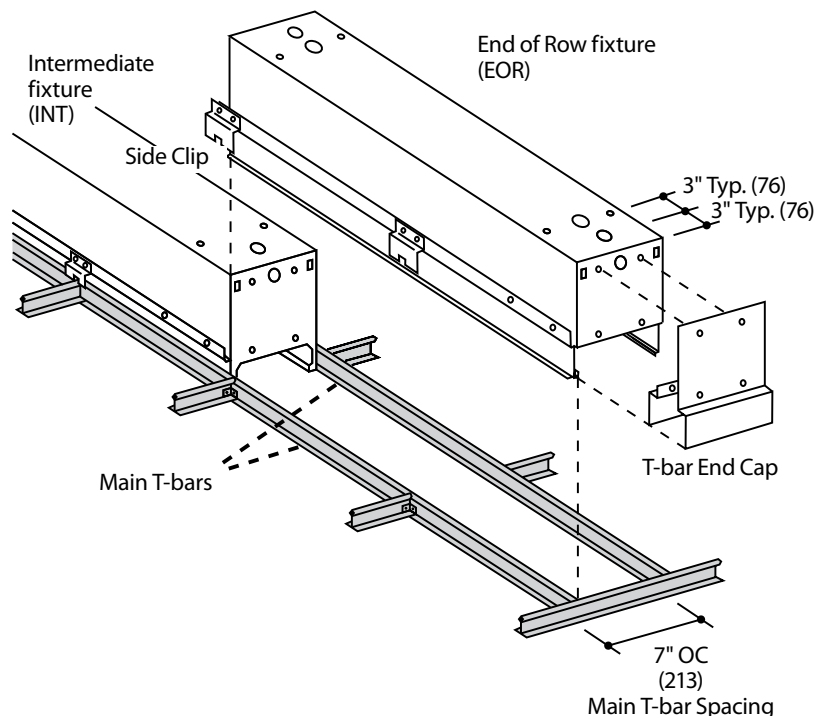
Product			Connectors					
LG -	D -	66N00			CWM -	Lighted Corners Only		
ELB10 -		4-F17T8						
Mounting	Distribution	Series	Filler or Corner	Diffuser	Finish	Ballast	Volts	Lamps
LG Recessed (exposed grid ceiling)	D Direct	66N00	FS C90L C90NL C135L C135NL see Planning for Installation	BW FP PARSS* PAT.19 PBSS XA see Diffuser Options	CWM (matte white) is standard for trim and fixture	ELB10	120 277	4-F17T8

* When **PARSS** is specified for fixtures, **PBSS** will be used for corners and filler sections.

LG-D-66N00-C90L-PBSS-CWM-ELB10-120 is a typical catalog number for a 90° corner, lighted connector with parabolic baffles, finished matte white, electronic ballast, 120 volts.

General Notes for Specifiers and Contractors

1. Suffixes for individual fixtures (**IND**), row fixtures (**INT**, **EOR**), filler sections (**FS**), or corners (**C90L**, **C90NL**, **C135L**, **C135NL**) should be shown on electrical and reflected-ceiling plans, together with fixture type designations and lengths. Example: B-EOR-2', B-INT-6', B-IND-4'. These will be shown on order processing and carton labeling, and will assist with on-the-job installation.
2. Electrical and ceiling contractors should both understand that this system is not standard troffer construction (due to continuous light feature), so coordination between the two trades is essential.
3. All main tees and cross tees must be rigidly attached to each other (i.e. with angles and pop-rivets, by others), so main tees will not twist or pivot under fixture weight. Additional supporting means may be necessary and required by local codes, to provide adequate support of ceiling grid in fixture areas. Knockouts are located in housing top for wiring and suspension. Access openings and cover plates are not provided.
4. Corners should be installed before fixtures. Both corners and fixtures must be inserted up through adjacent grid opening. Clearance required between top of fixture and structure above varies with fixture length and ceiling opening. Cross-tees may be temporarily removed if plenum height is restrictive.
5. Side clips supplied by Litecontrol must be attached by Electrical Contractor after fixtures have been installed.
6. Custom-fabricated, special-length, non-lighted filler sections and corners are available. Lengths must be field measured after row fixtures have been installed. Please refer to Field Measurement Procedure in the catalog or online for instructions. Allow extra time for measurement and custom-fabrication process.
7. All views above are reflected-ceiling plans (views from below).

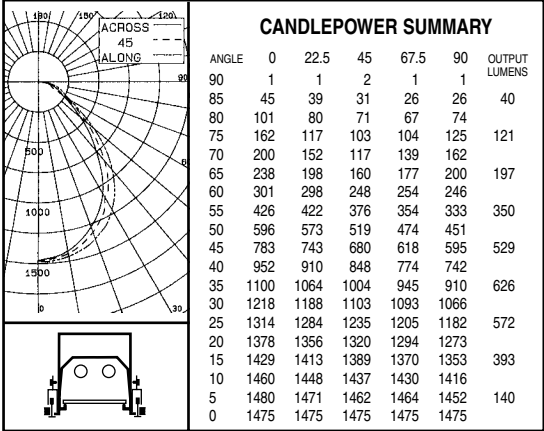


LITECONTROL

100 Hawks Avenue Hanson, MA 02341
781 294 0100 f: 781 293 2849 litecontrol.com



Photometric data



LG-D-66N24T8-XA 51.1% Efficiency
Litecontrol Certified Test Report #12121010

RCC	80				70				50				30				10				0
	70	50	30	10	70	50	30	10	50	30	10	50	30	10	50	30	10	50	30	10	0
RCR																					
0	.61	.61	.61	.61	.59	.59	.59	.59	.57	.57	.57	.54	.54	.54	.52	.52	.52	.51			
1	.57	.55	.53	.51	.55	.54	.52	.51	.51	.50	.49	.50	.49	.48	.48	.47	.46	.45			
2	.53	.49	.46	.44	.51	.48	.46	.44	.46	.44	.43	.45	.43	.42	.44	.42	.41	.40			
3	.49	.44	.41	.38	.48	.44	.40	.38	.42	.40	.37	.41	.39	.37	.40	.38	.36	.35			
4	.45	.40	.36	.34	.44	.40	.36	.33	.38	.35	.33	.37	.35	.32	.36	.34	.32	.31			
5	.42	.36	.32	.29	.41	.36	.32	.29	.35	.31	.29	.34	.31	.29	.33	.30	.28	.27			
6	.39	.33	.29	.26	.38	.32	.29	.26	.32	.28	.26	.31	.28	.25	.30	.27	.25	.24			
7	.36	.30	.26	.23	.35	.30	.26	.23	.29	.25	.23	.28	.25	.23	.27	.25	.23	.22			
8	.34	.27	.23	.20	.33	.27	.23	.20	.26	.23	.20	.26	.22	.20	.25	.22	.20	.19			
9	.31	.25	.21	.18	.30	.24	.21	.18	.24	.20	.18	.23	.20	.18	.23	.20	.18	.17			
10	.29	.22	.19	.16	.28	.22	.19	.16	.22	.18	.16	.21	.18	.16	.21	.18	.16	.15			

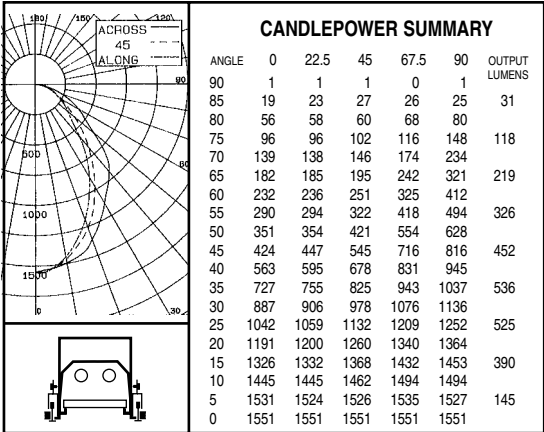
Floor Cavity Reflectance .20

ZONAL LUMEN SUMMARY

ZONE	LUMENS	% LAMP	% LUMINAIRE
180-90°	0	0	0
90-0°	2964	51.11	100
180-0°	2964	51.11	100

LUMINANCE SUMMARY (fL)

ANGLE	0°	45°	90°
45°	2087	1820	1592
55°	1401	1239	1100
65°	1062	714	897
75°	1182	749	911
85°	965	674	569



LG-D-66N24T8-BW 47.2% Efficiency
Litecontrol Certified Test Report #12121300

RCC	80				70				50				30				10				0
	70	50	30	10	70	50	30	10	50	30	10	50	30	10	50	30	10	50	30	10	0
RCR																					
0	.56	.56	.56	.56	.55	.55	.55	.55	.52	.52	.52	.50	.50	.50	.48	.48	.48	.47			
1	.52	.51	.49	.48	.51	.50	.48	.47	.48	.46	.45	.46	.45	.44	.44	.43	.43	.42			
2	.49	.45	.43	.41	.48	.45	.42	.40	.43	.41	.39	.42	.40	.38	.40	.39	.38	.37			
3	.45	.41	.38	.35	.44	.40	.37	.35	.39	.36	.34	.38	.36	.34	.37	.35	.33	.32			
4	.42	.37	.34	.31	.41	.36	.33	.31	.35	.33	.30	.34	.32	.30	.33	.31	.30	.29			
5	.39	.33	.30	.27	.38	.33	.29	.27	.32	.29	.27	.31	.28	.26	.30	.28	.26	.25			
6	.36	.30	.27	.24	.35	.30	.26	.24	.29	.26	.24	.28	.26	.24	.28	.25	.23	.23			
7	.33	.28	.24	.22	.33	.27	.24	.21	.27	.23	.21	.26	.23	.21	.25	.23	.21	.20			
8	.31	.25	.22	.19	.30	.25	.21	.19	.24	.21	.19	.24	.21	.19	.23	.21	.19	.18			
9	.29	.23	.19	.17	.28	.23	.19	.17	.22	.19	.17	.22	.19	.17	.21	.18	.16	.16			
10	.27	.21	.17	.15	.26	.21	.17	.15	.20	.17	.15	.20	.17	.15	.19	.17	.15	.14			

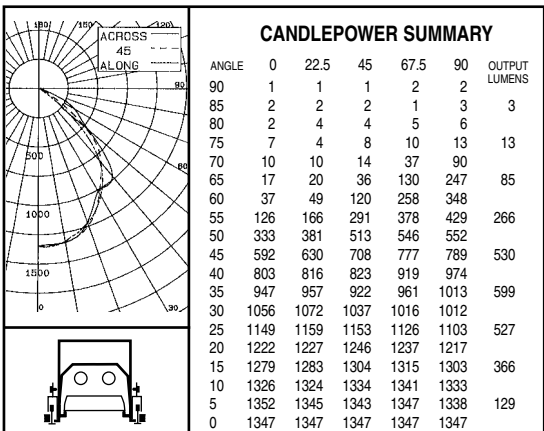
Floor Cavity Reflectance .20

ZONAL LUMEN SUMMARY

ZONE	LUMENS	% LAMP	% LUMINAIRE
180-90°	0	0	0
90-0°	2738	47.22	100
180-0°	2738	47.22	100

LUMINANCE SUMMARY (fL)

ANGLE	0°	45°	90°
45°	1131	1458	2182
55°	953	1061	1629
65°	813	871	1436
75°	698	744	1085
85°	415	577	543



LG-D-66N24T8-PBSS 43.4% Efficiency
Litecontrol Certified Test Report #12121340

RCC	80				70				50				30				10				0
	70	50	30	10	70	50	30	10	50	30	10	50	30	10	50	30	10	50	30	10	0
RCR																					
0	.52	.52	.52	.52	.50	.50	.50	.50	.48	.48	.48	.46	.46	.46	.44	.44	.44	.43			
1	.49	.47	.46	.45	.48	.46	.45	.44	.45	.44	.43	.43	.42	.41	.41	.41	.40	.39			
2	.46	.43	.41	.39	.45	.42	.40	.39	.41	.39	.38	.40	.38	.37	.38	.37	.36	.36			
3	.43	.39	.37	.35	.42	.39	.36	.34	.38	.35	.34	.36	.35	.33	.35	.34	.33	.32			
4	.40	.36	.33	.31	.39	.35	.33	.30	.34	.32	.30	.33	.31	.30	.32	.31	.29	.29			
5	.37	.33	.29	.27	.36	.32	.29	.27	.31	.29	.27	.30	.28	.26	.30	.28	.26	.25			
6	.34	.30	.26	.24	.34	.29	.26	.24	.29	.26	.24	.28	.25	.24	.27	.25	.23	.23			
7	.32	.27	.24	.22	.31	.27	.24	.21	.26	.23	.21	.25	.23	.21	.25	.23	.21	.20			
8	.30	.24	.21	.19	.29	.24	.21	.19	.24	.21	.19	.23	.21	.19	.23	.20	.19	.18			
9	.27	.22	.19	.17	.27	.22	.19	.17	.21	.18	.17	.21	.18	.16	.20	.18	.16	.16			
10	.25	.20	.17	.15	.25	.20	.17	.15	.19	.17	.15	.19	.16	.15	.19	.16	.15	.14			

Floor Cavity Reflectance .20

ZONAL LUMEN SUMMARY

ZONE	LUMENS	% LAMP	% LUMINAIRE
180-90°	0	0	0
90-0°	2514	43.35	100
180-0°	2514	43.35	100

LUMINANCE SUMMARY (fL)

ANGLE	0°	45°	90°
45°	1579	1894	2110
55°	414	960	1415
65°	74	161	1107
75°	48	61	93
85°	39	34	67