

## Mod<sup>2</sup>™ Family



Mod<sup>2</sup> R-D-4400

Ford and Harrison Law Office - Memphis, TN, Photography - Michael Chabot

### Design elements

- Continuous rows of recessed direct lighting
- Two housing heights for flush or recessed diffuser placement
- Lighted 90° and 135° corners available
- LG-D-4400 and 4500 fit screw slot, 15/16" and 9/16" T-bar ceilings
- Easy lift-and-shift baffle removal allows for tool-free re-lamping
- Pre-wiring and quick-connects simplify field installation and fixture joining

### Lamping options

- Available in one-lamp T8, T5, or T5HO and two-lamp T5 or T5HO in cross-section

### Baffle options

- SGL** Soft glow frosted acrylic lens
- BW** White blade baffle
- PBSS** Semi-specular aluminum parabolic baffle



SGL

BW

PBSS

### Performance

#### LG-D-4400 and 4500

Configuration	Optics	Efficiency (%)
1-lamp T8	BW	47.5
1-lamp T5HO	PBSS	45.4
1-lamp T5HO	BW	55.2
1-lamp T5HO	SGL	55.4
2-lamp T5 or T5HO also available Efficiency is the same of R-D-4400 and R-D-4500		

### System connectors

- Corners (90° and 135°) available for joining
- Lighted corners available

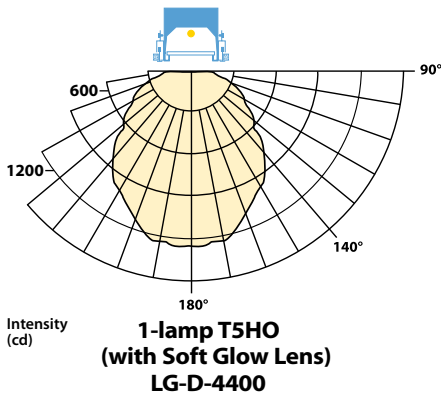
For further photometric information, see website.



Exposed Grid Ceiling Recessed Direct  
Plaster, Drywall, Concealed Spline Ceilings Recessed Flanged Direct

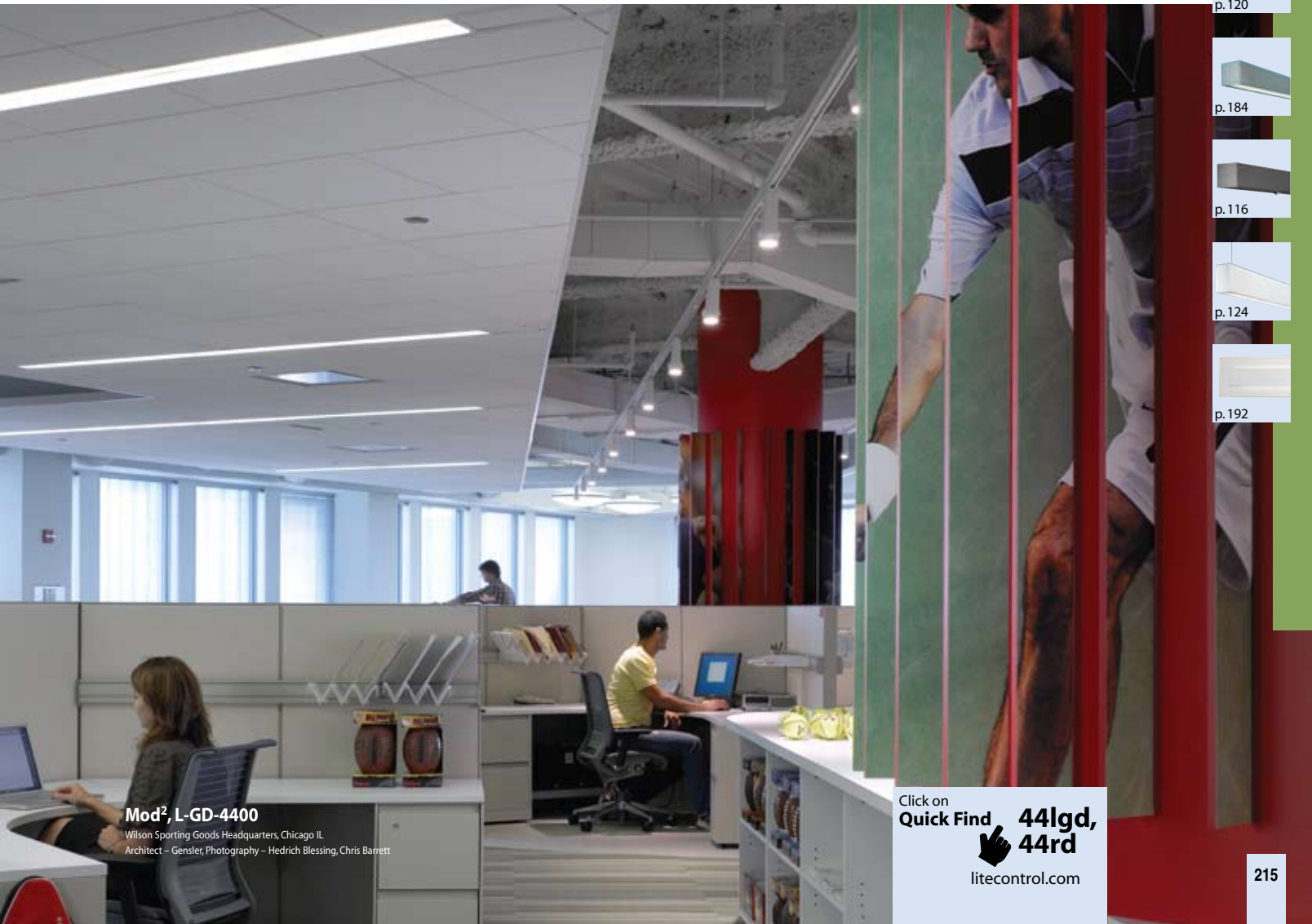
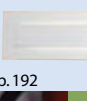
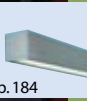
LG-D-4400, LG-D-4500, R-D-4400, R-D-4500, RP-D-4400

**Distribution**



**Mod<sup>2</sup>**

The Mod<sup>2</sup> recessed family consists of linear modular fixtures that provide direct lighting for numerous lighting applications such as offices, schools, and libraries. The small-scale, steel Mod<sup>2</sup> fixtures provide a range of recessed lighting solutions with a wide choice of options available.



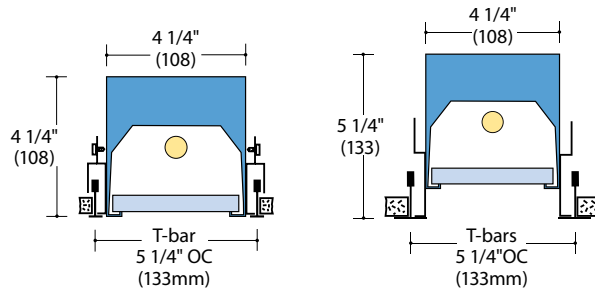
**Mod<sup>2</sup>, L-GD-4400**

Wilson Sporting Goods Headquarters, Chicago IL  
Architect – Gensler, Photography – Hedrich Blessing, Chris Barrett

Click on  
**Quick Find** **44lgd,**  
**44rd**  
litecontrol.com



LG-D-4400 and LG-D-4500



Mod<sup>2</sup>™ Family

## LG-D-4400, LG-D-4500

### Product description

Die-formed and welded steel housing, with 3/8" regression at housing bottom. Reflector is die-formed steel with high-reflectance white finish. UL Listed. Cradle to Cradle Certified.<sup>CM</sup>

### Ordering guide

Product, lamping, & length						Options							
LG -	D -	44	2	4	T5HO -	PBSS -	CWM -	IND -	LP/ELB -	TW -	2CWQ -	F -	120
Mounting	Distribution	Series	Lamp Count	Nominal Length (ft)	Lamp Type	Baffle or Diffuser	Finish	Position	Ballast	Tandem Wiring	Pre-Wiring	Other options	Volts
LG Recessed (exposed grid ceiling)	D Direct	44	1 → 2	2 →	T8	BW PBSS SGL  see Baffle and Diffuser Options	CWM (matte white) is standard	IND (T8 available in 6', 8' only) INT EOR  see Position Options	ELB10 is std. for T8 LP/ELB is std. for T5 or T5HO DA/MK7 DL/ECO DO/HEL  see Ballast Options	-- →	1CWQ	F CCEA LP/EF  see Other Options	120 277
			1 → 3	3 →						TW →	2CWQ		
		1 → 4	4 →	T5HO	T5					see notes	see notes		
		2 → 6	6 →										
		2 → 8	8 →										
		1,2 → 2	2 →										
		1,2 → 3	3 →										
		1,2 → 4	4 →										
		2,4 → 6	6 →										
		2,4 → 8	8 →										

**LG-D-4424T5HO-PBSS-CWM-IND-LP/ELB-TW-2CWQ-F-120** is a typical catalog number for a 2-lamp (2 lamps in cross-section), 4-foot long high-output T5 fixture, with semi-specular parabolic baffle, matte white finish, individual fixture, low-profile electronic ballast, tandem-wired, pre-wired with two-circuit branch wiring and quick-connects, fuse, 120 volts.

**notes:**

Lamp count = total number of lamps in the fixture

Tandem wiring not available for one-lamp cross-section fixtures

**For ordering guide information in shaded areas, choose selection by reading ACROSS the shaded areas for correct specifications.**

#### Baffle and Diffuser Options

- BW** Blade baffles, matte white finish
- PBSS** Parabolic semi-specular baffles
- SGL** Soft glow lens

#### Position Options

- IND** Individual fixture
- INT** Interior fixture in a row
- EOR** End-of-run fixture in a row

#### Ballast Options

- ELB10** Electronic ballast
- LP/ELB** Low-profile electronic ballast
- DA/MK7** Advance Mark VII dimming ballast
- DL/ECO** Lutron ECO-10 dimming ballast
- DO/HEL** Osram Sylvania dimming ballast

#### Other Options

- F** Fuse
- CCEA** City of Chicago Environmental Air Modification
- LP/EF** Low-profile emergency fluorescent ballast

See [litecontrol.com](http://litecontrol.com) for complete product specifications, including details on row joining, system connectors, suspension and mounting for different ceiling types (as applicable).

Note: Litecontrol reserves the right to change specification without notice for product development and improvement.

Click on  
**Quick Find 44lgd**



[litecontrol.com](http://litecontrol.com)



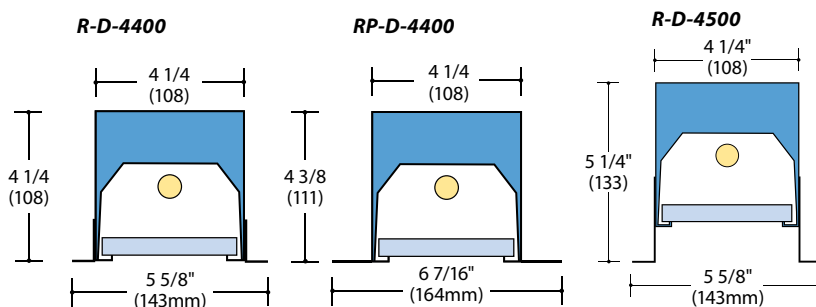
Exposed Grid Ceiling Recessed Direct  
Plaster, Drywall, Concealed Spline Ceilings Recessed Flanged Direct

LG-D-4400, LG-D-4500, R-D-4400, R-D-4500, RP-D-4400



R-D-4400, RP-D-4400  
and R-D-4500

## Mod<sup>2</sup>



Mod<sup>2</sup> Family

R-D-4400, RP-D-4400, R-D-4500

### Product description

Die-formed and welded steel housing, with 3/8" regression at housing bottom. Reflector is die-formed steel with high-reflectance white finish. RP-D fixtures have a continuous spackle trim that allows a plaster coat to be applied up to the fixture edge. UL Listed. Cradle to Cradle Certified.<sup>CM</sup>

### Ordering guide

Product, lamping, & length						Options						
R -	D -	44	4	6	T5HO -	PBSS -	CWM -	LP/ELB -	TW -	2CWQ -	F -	120
Mounting	Distribution	Series	Lamp Count	Nominal Length (ft)	Lamp Type	Baffle or Diffuser	Finish	Ballast	Tandem Wiring	Pre-Wiring	Other options	Volts
R Recessed	D Direct	44	1 → 2 → 1 → 3 → 1 → 4 → 2 → 6 → 2 → 8 →	2 → 3 → 4 → 6 → 8 →	T8	BW PBSS SGL	CWM (matte white) is standard	ELB10 is std. for T8 LP/ELB is std. for T5 or T5HO	-- → TW →	1CWQ 2CWQ	F CCEA LP/EF see Other Options	120 277
RP Recessed with plaster trim					T5HO T5	see Baffle and Diffuser options		DA/MK7 DL/ECO DO/HEL				
R Recessed	D Direct	45	1,2 → 1,2 → 1,2 → 2,4 → 2,4 →	2 → 3 → 4 → 6 → 8 →				see Ballast Options				
			see notes									

**notes:**  
Lamp count = total number of lamps in the fixture  
Tandem wiring not available for one-lamp cross-section fixtures  
For ordering guide information in shaded areas, choose selection by reading ACROSS the shaded areas for correct specifications.

R-D-4446T5HO-PBSS-CWM-LP/ELB-TW-2CWQ-F-120 is a typical catalog number for a 4-lamp (2 lamps in cross-section), 6-foot long, high-output T5 fixture with semi-specular parabolic baffle, matte white finish, low-profile electronic ballast, tandem-wired, pre-wired with two-circuit branch wiring and quick-connects, fuse, 120 volts.

#### Baffle and Diffuser Options

**BW** Blade baffles, matte white finish  
**PBSS** Parabolic semi-specular baffles  
**SGL** Soft glow lens

#### Ballast Options

**ELB10** Electronic ballast  
**LP/ELB** Low-profile electronic ballast  
**DA/MK7** Advance Mark VII dimming ballast  
**DL/ECO** Lutron ECO-10 dimming ballast  
**DO/HEL** Osram Sylvania dimming ballast

#### Other Options

**F** Fuse  
**CCEA** City of Chicago Environmental Air Modification  
**LP/EF** Low-profile emergency fluorescent ballast

See [litecontrol.com](http://litecontrol.com) for complete product specifications, including details on row joining, system connectors, suspension and mounting for different ceiling types (as applicable).

Note: Litecontrol reserves the right to change specification without notice for product development and improvement.

Click on  
**Quick Find 44rd**



[litecontrol.com](http://litecontrol.com)