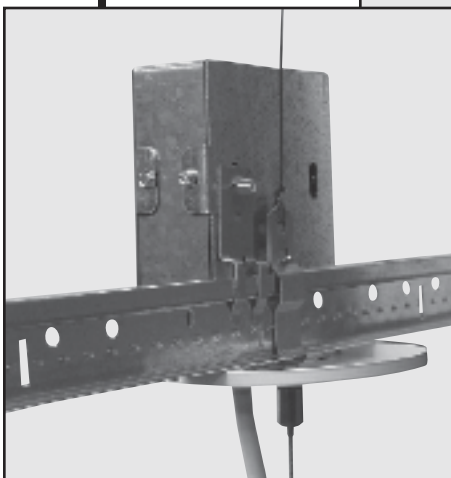
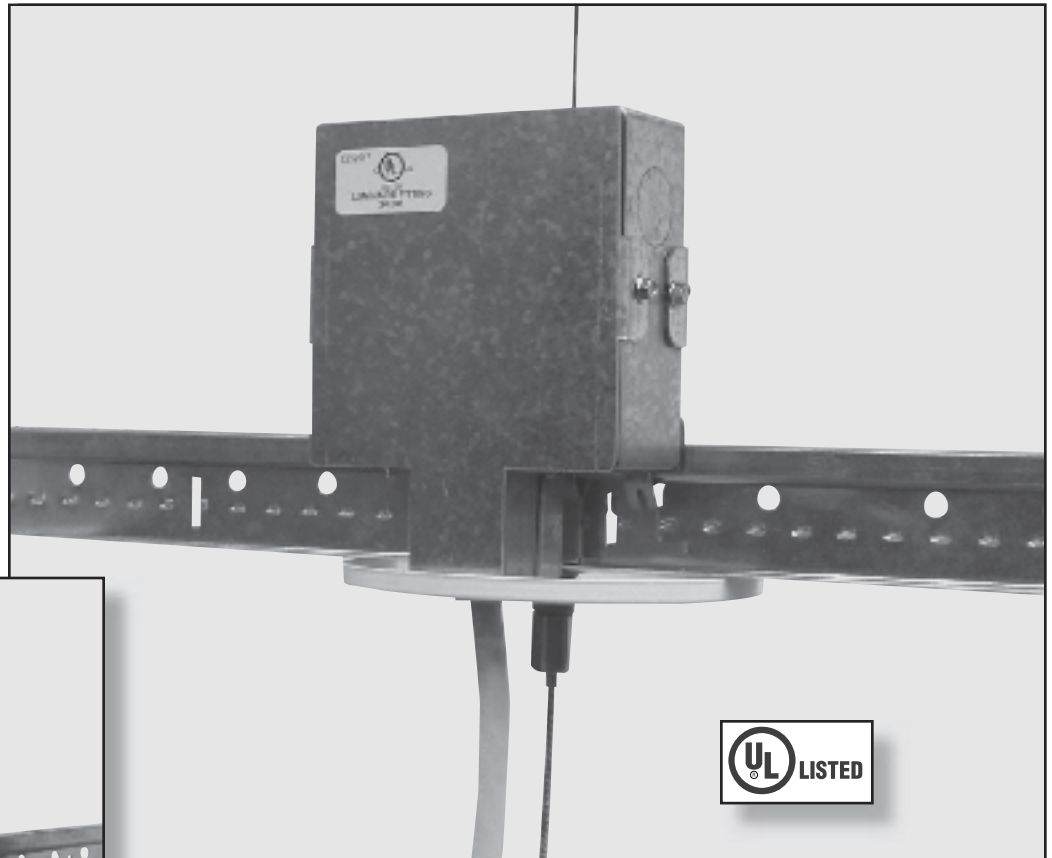


NEW!

UL Listed Canopy Box™
for on-grid pendant-mounted T-Bar installations



This new on-grid Canopy Box by Litecontrol is UL Listed and meets National Electric Code (NEC) guidelines.

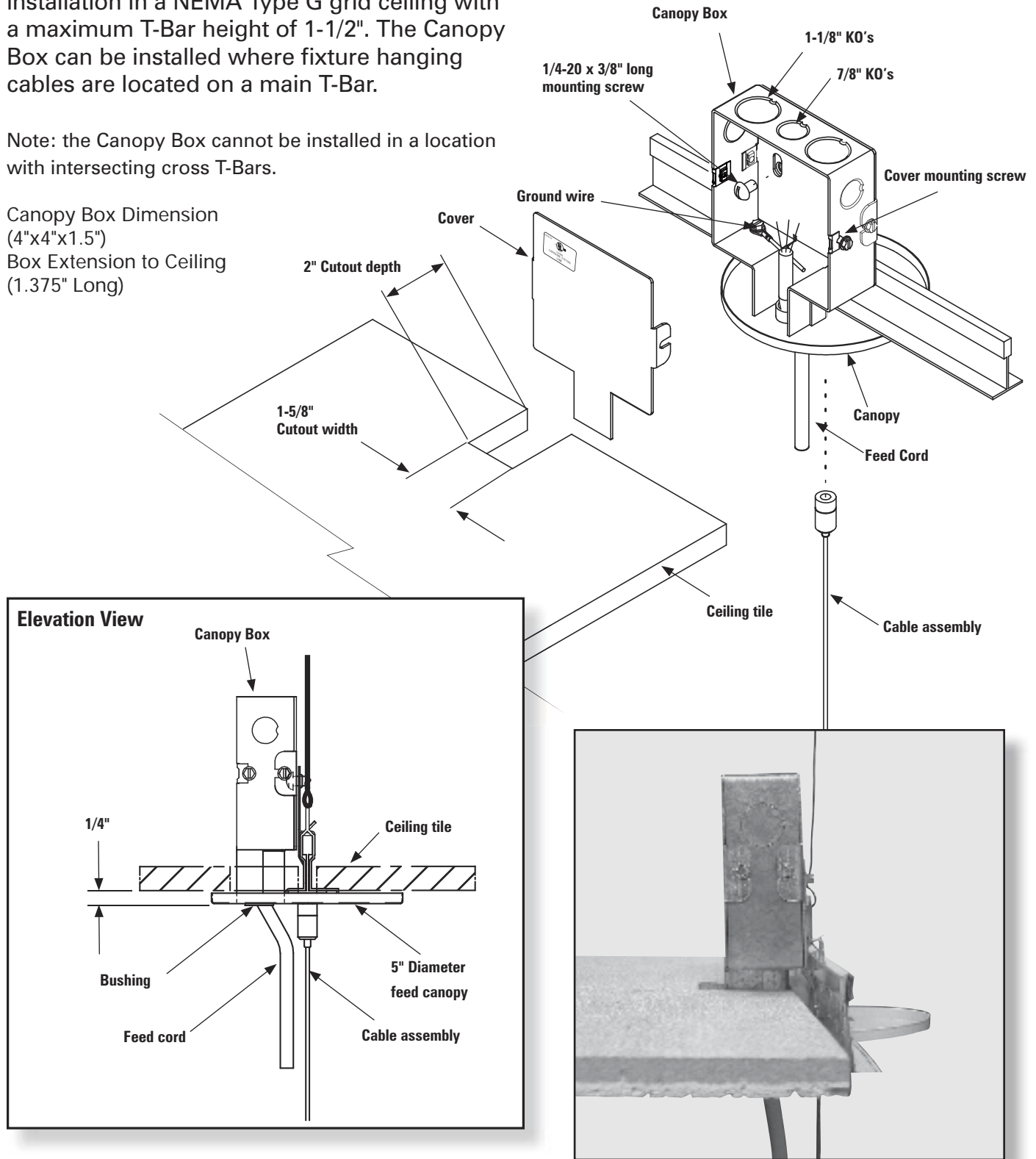
The Canopy Box is designed exclusively for use with Litecontrol fixtures for on-grid T-Bar ceiling installations.

- UL and CUL approved
- Feed cord enters directly into the box below the ceiling plane
- Box mounts directly to the T-Bar
- Simple mounting clip for Box attachment and standard ceiling grid clip for pendant attachment
- Can be used with 9/16" T-Bar, 15/16" T-Bar and Screw-Slot T-Bar
- Available on request

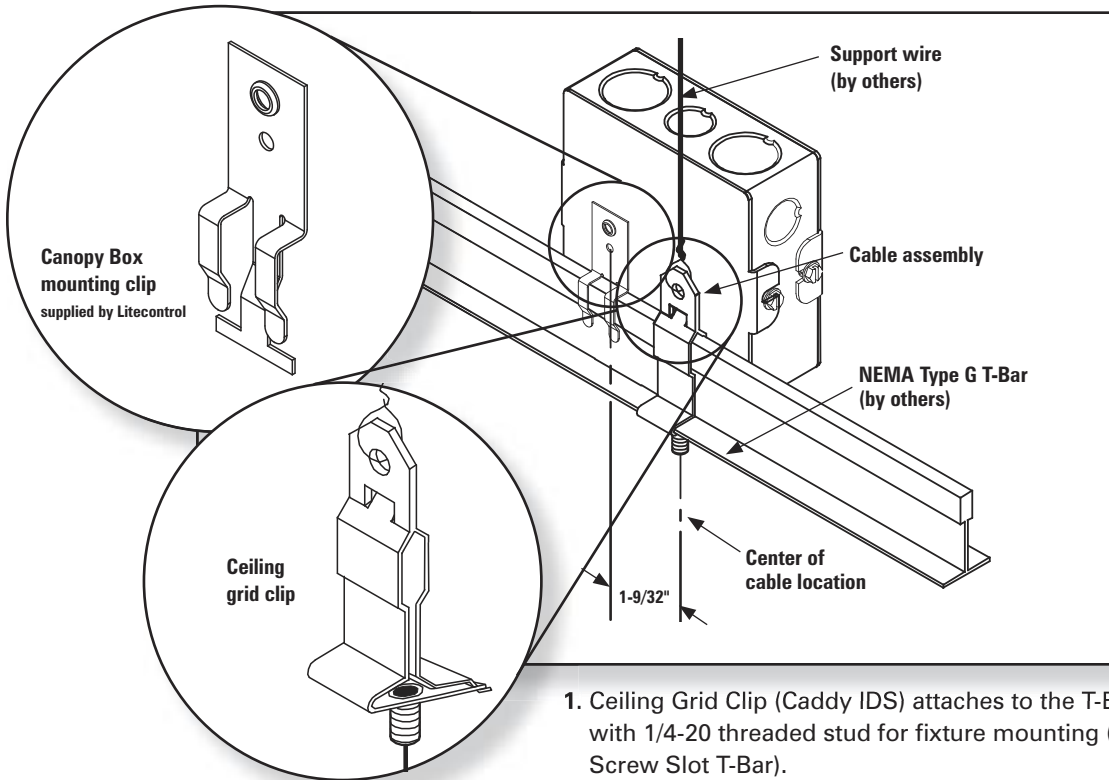
The Litecontrol Canopy Box is intended for installation in a NEMA Type G grid ceiling with a maximum T-Bar height of 1-1/2". The Canopy Box can be installed where fixture hanging cables are located on a main T-Bar.

Note: the Canopy Box cannot be installed in a location with intersecting cross T-Bars.

Canopy Box Dimension
(4"x4"x1.5")
Box Extension to Ceiling
(1.375" Long)



Installation guidelines:

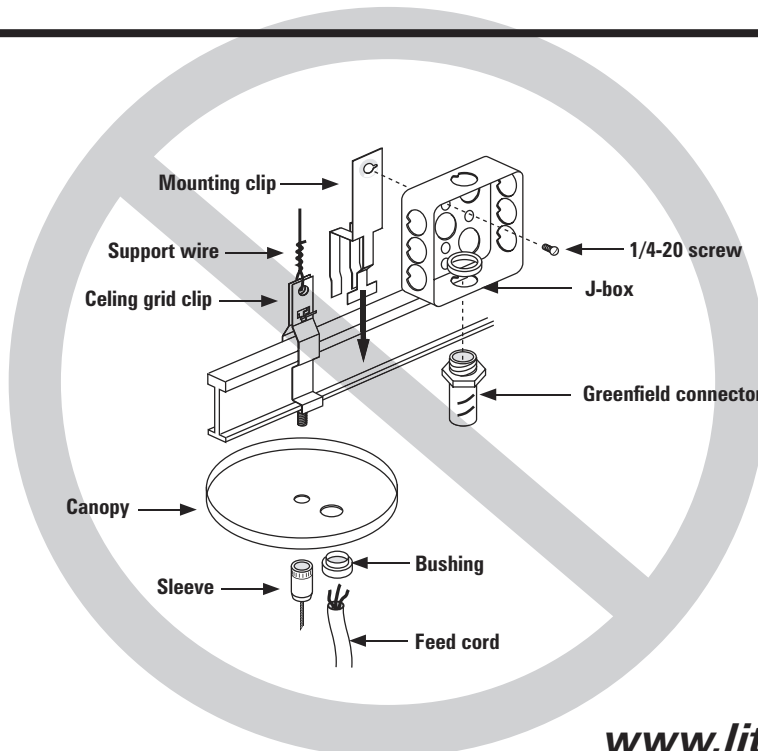


1. Ceiling Grid Clip (Caddy IDS) attaches to the T-Bar at each feed cable location with 1/4-20 threaded stud for fixture mounting (Caddy IDS 9.5 attaches to a Screw Slot T-Bar).
2. Canopy Box mounting clip snaps onto T-Bar 1-9/32" away from Ceiling Grid Clip.
3. Canopy Box attaches to mounting clip with one 1/4-20 x 3/8" machine screw.
4. Ceiling tile must be notched to clear lower surface of Canopy Box.
5. Bottom edge of Canopy Box is positioned below the ceiling plane and makes direct contact with the canopy after installation is completed.

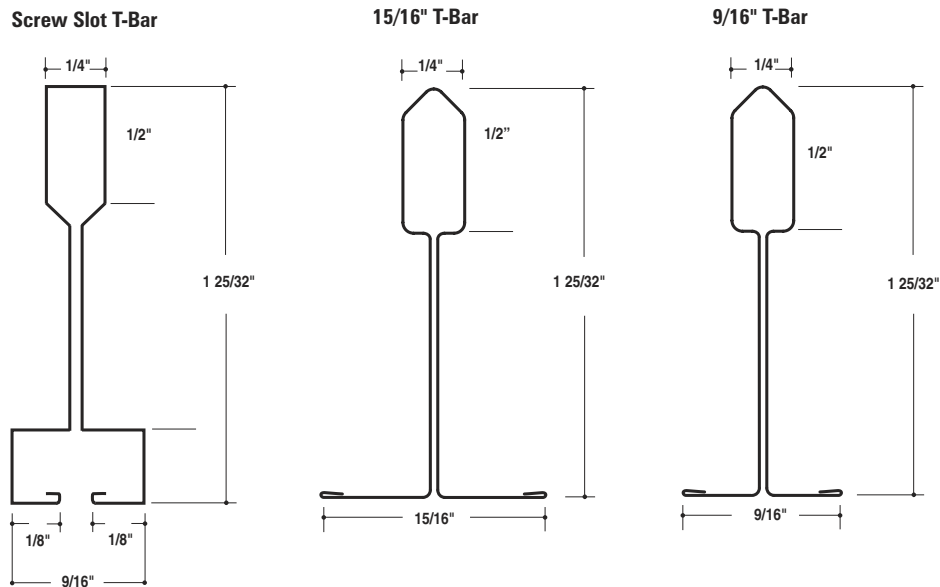
Important:

Due to recent changes in UL interpretation of acceptable on-grid mounting procedures, the following method may not be approved by some local building inspectors and is no longer recommended by Litecontrol.

1. The Greenfield connector is considered a "raceway" by UL (See Article 344.2). This method is excluded by NEC Article 400.8-6.
2. The feed cord does not pass directly into a junction box. (See NEC Article 400.8-2).



Litecontrol Canopy Box fits the following ceiling types:



Litecontrol Canopy Box Ordering Guidelines

- Canopy Box option can be used with Litecontrol Fixed Length Aircraft Cable assemblies (**ACC/F**) and Field Adjustable Aircraft Cable assemblies (**FAI/ACC/F**).
- The catalog designator for the Canopy Box is "LCB".
- Add "LCB" to the Aircraft Cable assembly catalog number to include the Canopy Box option. (Example: **FAI/ACC/F/LCB**)
- One Canopy Box is needed for each feed cable assembly located on a grid.