

INSTALLATION  
INSTRUCTIONS

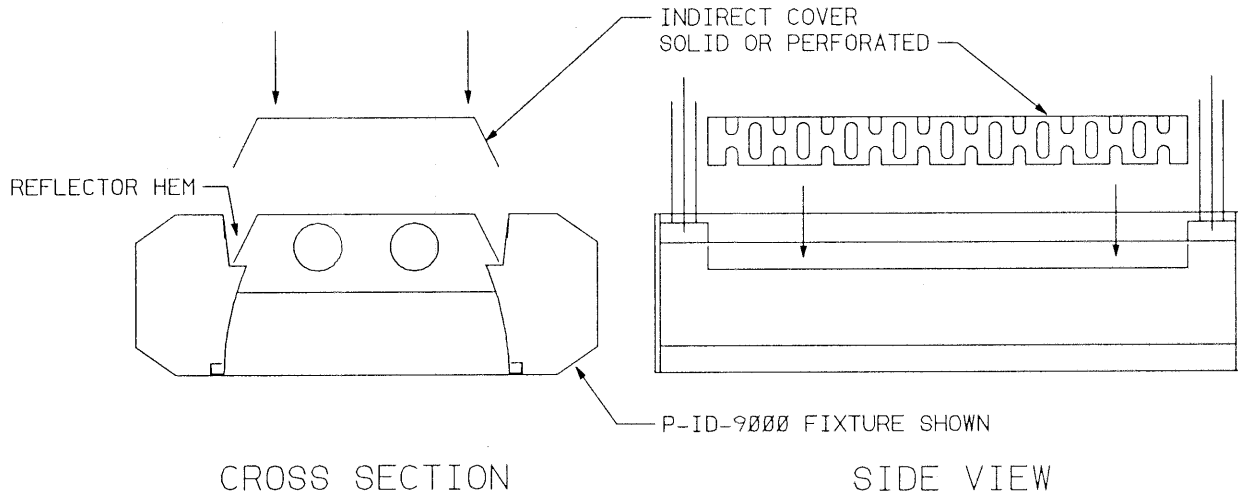
FIXTURE TYPE \_\_\_\_\_

INDIRECT COVER OPTION  
P-ID-90/91/92/93/9400

PART  
NO. 510353-1000

PG. 1  
OF 1

DO NOT MODIFY OR ALTER THIS PRODUCT IN ANY WAY, OR INSTALL IN ANY FASHION WHICH IS CONTRARY TO THE INSTRUCTIONS CONTAINED HEREIN.  
IF YOU HAVE ANY QUESTIONS REGARDING THIS PRODUCT OR THE INSTALLATION OF IT, PLEASE CALL LITECONTROL ENGINEERING AT 781-294-0100.



GENERAL NOTES:

1. INDIRECT COVERS ARE MOUNTED AFTER FIXTURES HAVE BEEN HUNG AND LAMPS HAVE BEEN INSTALLED: REFER TO FIXTURE INSTRUCTION SHEETS.
2. COVERS ARE AVAILABLE IN SOLID OR PERFORATED PAINTED STEEL.
3. INSTALLATION OF COVERS IS THE SAME FOR P-ID-9000, 9100, 9200, 9300 AND 9400 FIXTURES.

INSTRUCTIONS:

1. REMOVE FOAM WRAPPING MATERIAL AROUND COVERS AND SEAT COVER ON TOP HEM OF THE FIXTURE REFLECTORS.  
(1) COVER IS REQUIRED FOR EACH LAMP COMPARTMENT IN FIXTURE.
2. COVERS MAY BE CLEANED WITH A GENERAL WINDOW CLEANER.

LITECONTROL

100 HAWKS AVENUE - HANSON MA 02341, (781-294-0100)

PHOTO COPY