

INSTALLATION INSTRUCTIONS

FIXTURE TYPE \_\_\_\_\_

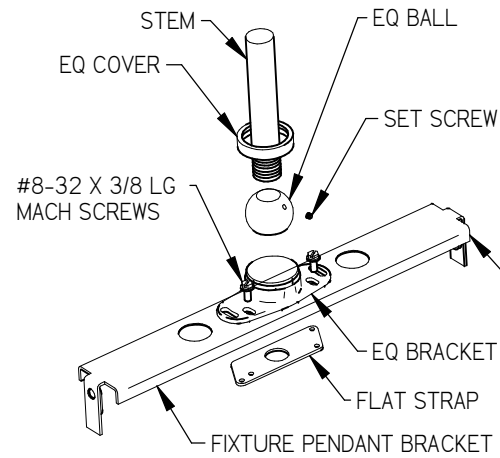
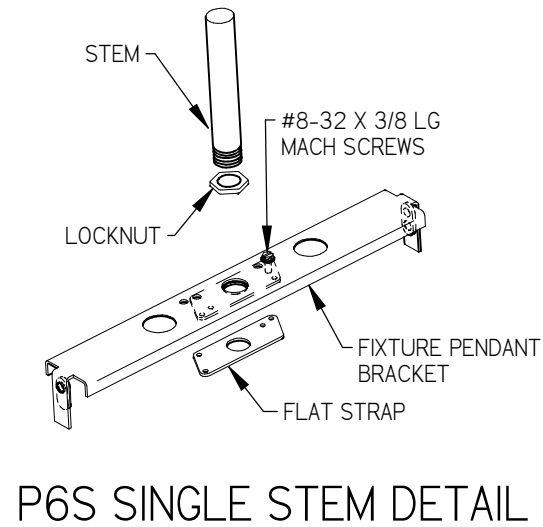
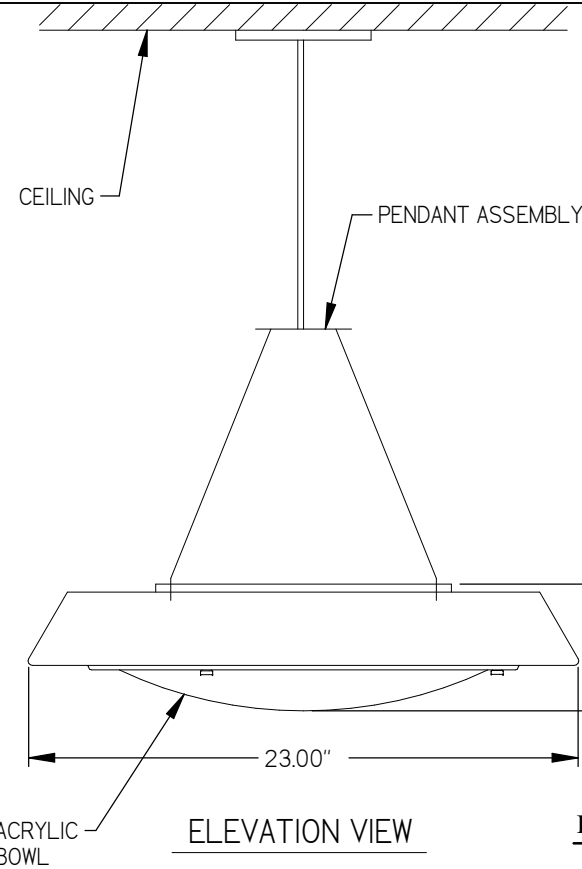
P-ID-37J R 00  
FIXTURE ASSEMBLY

P/C 510428-3000

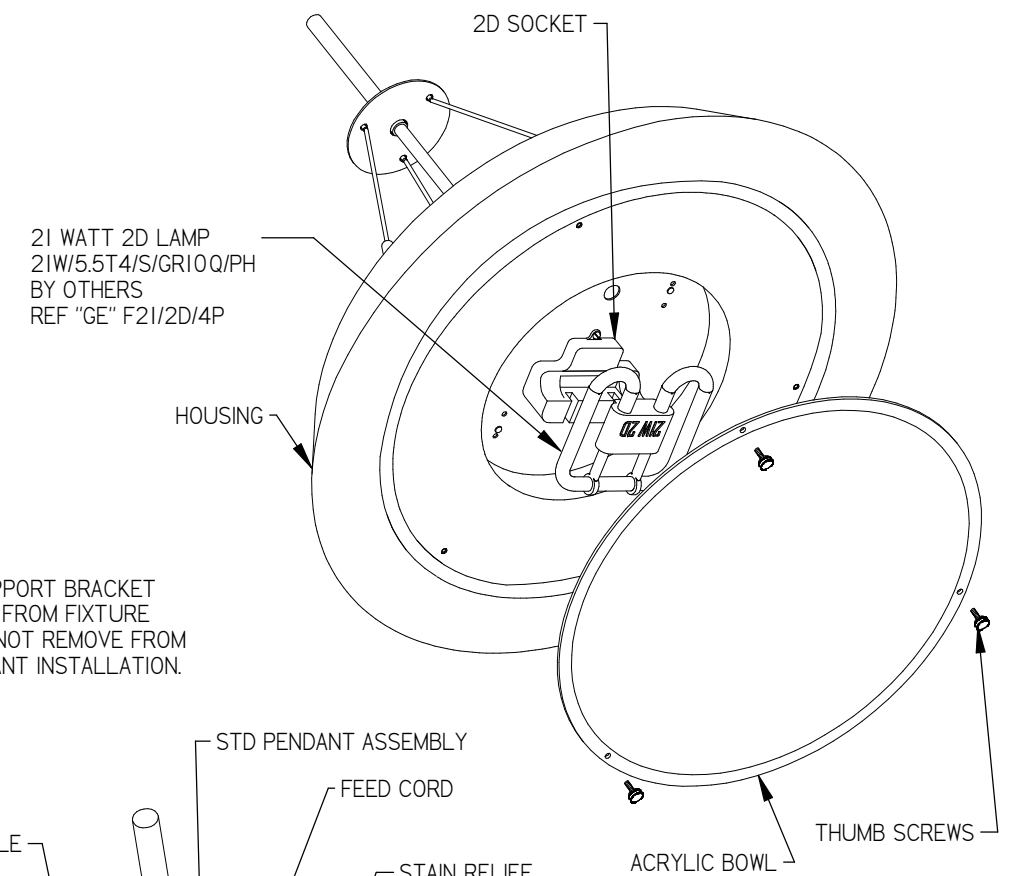
DATE: 03/12/02

PG. 1 OF 1

DO NOT MODIFY OR ALTER THIS PRODUCT IN ANY WAY, OR INSTALL IN ANY FASHION WHICH IS CONTRARY TO THE INSTRUCTIONS CONTAINED HEREIN. IF YOU HAVE ANY QUESTIONS REGARDING THIS PRODUCT OR THE INSTALLATION OF IT, PLEASE CALL LITECONTROL ENGINEERING AT 781-294-0100.



NOTE: PENDANT SUPPORT BRACKET IS SHOWN REMOVED FROM FIXTURE FOR REF. ONLY. DO NOT REMOVE FROM FIXTURE FOR PENDANT INSTALLATION.



INSTRUCTIONS:

1. INSTALL PENDANT ASSEMBLIES: (SHIPPED SEPARATELY)  
STD ASSY SHOWN IN ISOMETRIC VIEW REFER TO INSTRUCTION SHEET B510358.  
FOR SINGLE STEM ASSEMBLIES: REFER TO INSTRUCTION SHEETS:  
P6S - B510373 DETAIL SHOWN BELOW, EQ/P6 - B510356 DETAIL SHOWN BELOW,  
SC/P6 - B510234.
2. REMOVE WIRWAY COVERS BY REMOVING (3) SHEET METAL SCREWS.
3. REMOVE THUMB SCREWS AND ACRYLIC BOWL.  
INSERT 21 WATT 2D LAMP BY OTHERS INTO 2D SOCKET AS SHOWN IN  
(SEE VIEW A) REPLACE ACRYLIC BOWL.
4. LIFT FIXTURE UP AND THREAD THE (3) CABLE STUDS INTO  
HOUSING AS SHOWN IN VIEW. LEVEL FIXTURE BY THREADING  
STUDS IN OR OUT OF MOUNTING HOLES AND THEN TIGHTEN  
LOCKNUTS.
5. POSITION FEED CORD AGAINST ADJACENT CABLE AND TIE CORD TO  
CABLE WITH NYLON TIE FASTENERS (SHIPPED WITH PENDANT ASSY)
6. ATTACH A STRAIN RELIEF BUSHING (SHIPPED WITH PENDANT ASSY)  
TO LOWER END OF FEED CORD AND SNAP BUSHING INTO HOLE AS  
SHOWN.
7. MAKE WIRING CONNECTIONS AND THEN TUCK WIRES BACK INTO  
FIXTURE WIREWAY COMPARTMENT.
8. RE-INSTALL WIREWAY COVERS REMOVED IN PREVIOUS STEP 2.
9. INSTALL LAMPS (BY OTHERS) BY INSERTING LAMP BASE INTO  
SOCKET.
10. CLEAN LAMP EXTERIOR WITH GENERAL WINDOW CLEANER.

