

INSTALLATION INSTRUCTIONS

P/C 510166-4000

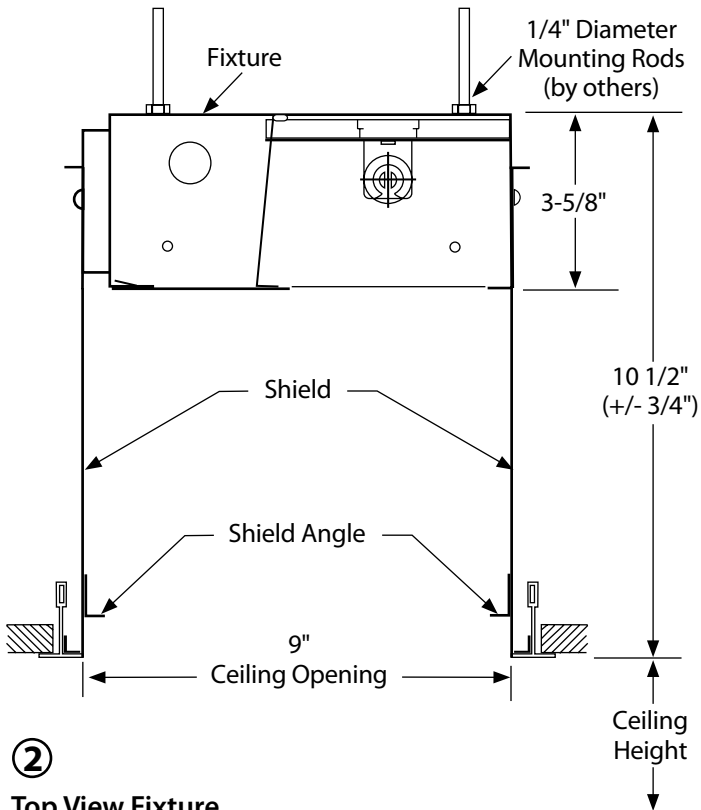
Fixture Type

Wall/Slot 85N

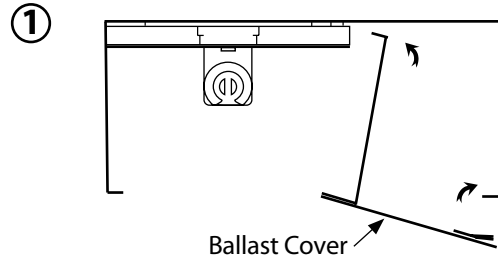
Double Shield

Do not modify or alter this product in any way, or install in any fashion which is contrary to the instructions contained herein. If you have any questions regarding this product or the installation of it, please call Litecontrol Engineering at 781-294-0100.

Cross Section



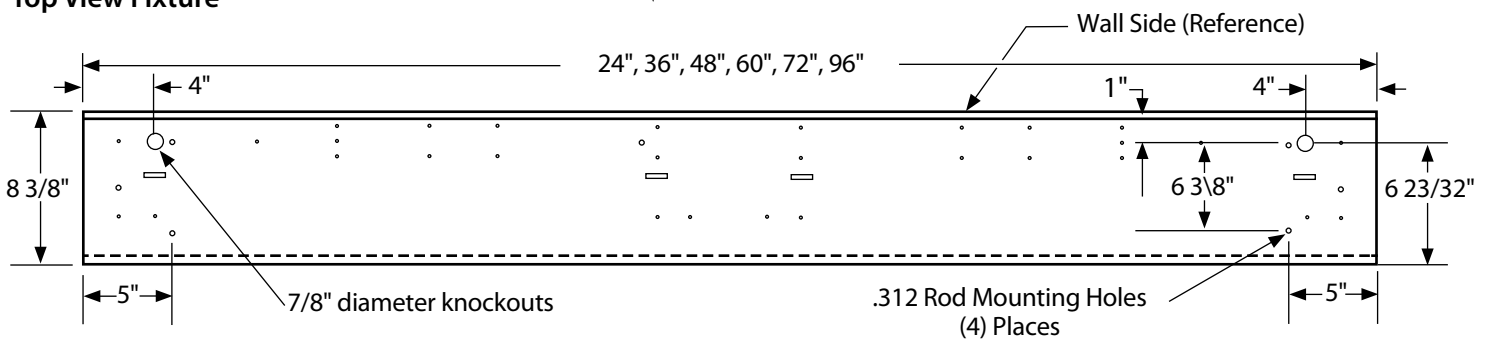
Ballast Cover Removal



Instructions:

- 1.a.** Snap ballast cover(s) out of housing and remove hardware polybag.
- b.** Where required, remove (1) 7/8" K.O. in housing top for feed wires.

Top View Fixture



- 2.a.** Mount 1/4" diameter threaded rods (by others) to overhead ceiling structure. Refer to "top view" of fixture shown above for center line locations of rods: (4) rods required per fixture.

INSTALLATION INSTRUCTIONS

P/C 510166-4000

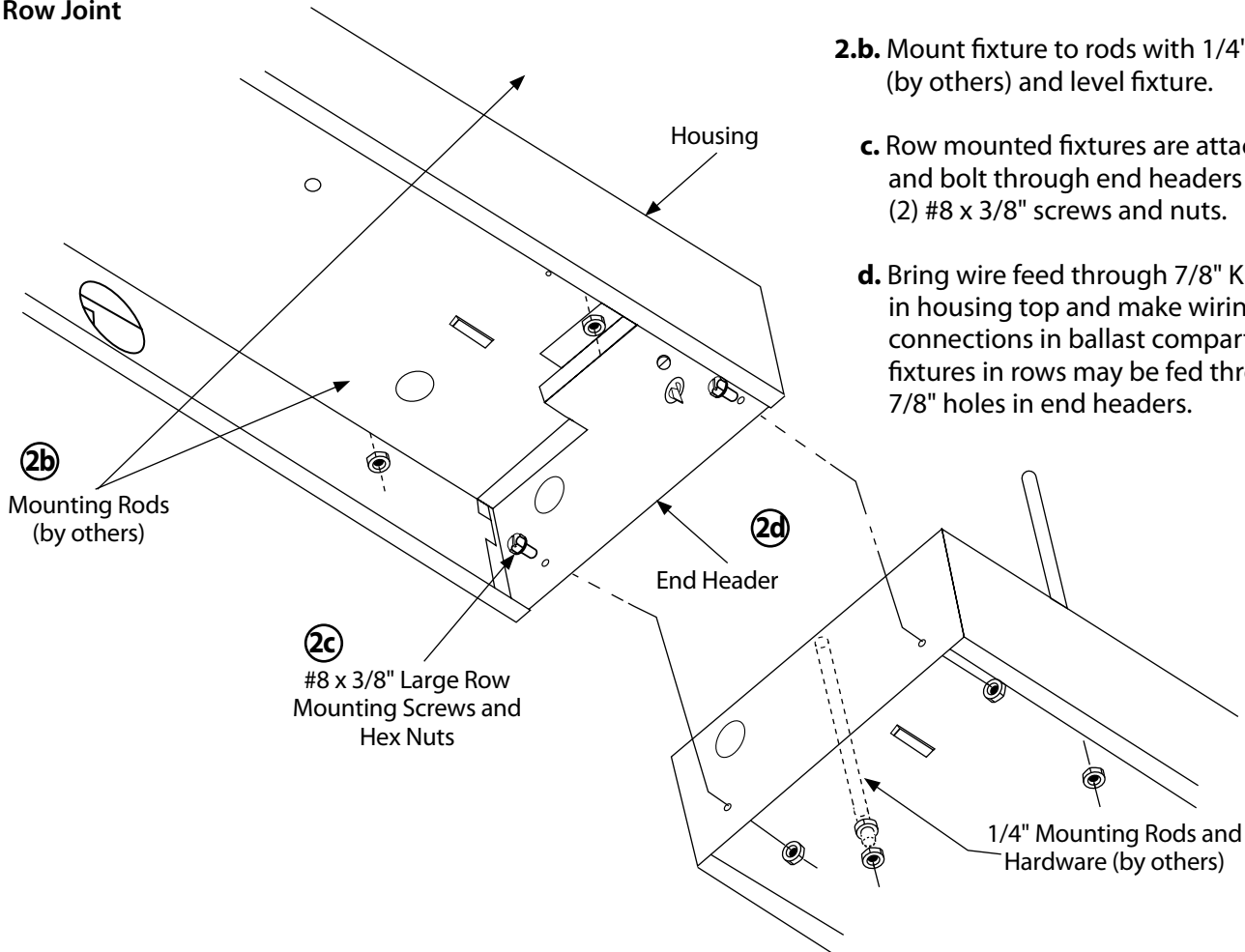
Fixture Type

Wall/Slot 85N

Double Shield

Do not modify or alter this product in any way, or install in any fashion which is contrary to the instructions contained herein.
If you have any questions regarding this product or the installation of it, please call Litecontrol Engineering at 781-294-0100.

Row Joint



2.b. Mount fixture to rods with 1/4" hardware (by others) and level fixture.

c. Row mounted fixtures are attached to rods and bolt through end headers with (2) #8 x 3/8" screws and nuts.

d. Bring wire feed through 7/8" K.O. in housing top and make wiring connections in ballast compartment: fixtures in rows may be fed through 7/8" holes in end headers.

Please read before continuing to #3 and #4 on fixture installations

- Shields (shipped separately) are installed at this time.

NOTE: Last shield in row should be left off fixtures abutting straight extensions, corners or end caps until these kits are installed.

- Straight extensions and corner kits (shipped separately) are installed at this time.
- End cap option (shipped separately) is installed at this time.
- Parabolic reflector option "PR" (shipped separately) is installed at this time.

3. Replace ballast cover(s) and install lamps (by others).

4. Clean exposed surfaces of fixtures and shields with window cleaner.

Diffuser Installation:

Diffusers (shipped separately) are installed at the end of job.