

INSTALLATION  
INSTRUCTIONS

FIXTURE TYPE \_\_\_\_\_

P-ID-82MS00  
DIFFUSERS &  
MULLIONS

PG. 1 OF 1

P/C 510565-1000

DO NOT MODIFY OR ALTER THIS PRODUCT IN ANY WAY, OR INSTALL IN ANY FASHION WHICH IS CONTRARY TO THE INSTRUCTIONS CONTAINED HEREIN. IF YOU HAVE ANY QUESTIONS REGARDING THIS PRODUCT OR THE INSTALLATION OF IT, PLEASE CALL LITECONTROL ENGINEERING AT 781-294-0100.

**GENERAL NOTES:**

DIFFUSERS (BW BAFFLES, SGL LENSES) AND MULLIONS ARE SHIPPED SEPARATELY. BAFFLES AND LENSES ARE CUT SHORTER IN LENGTH THAN THE FIXTURE OPENING. DIFFUSERS ARE INSTALLED AFTER FIXTURES HAVE BEEN MOUNTED, WIRING HAS BEEN COMPLETED AND LAMPS INSTALLED; REFER TO FIXTURE INSTRUCTION SHEET 510557. DIFFUSER SURFACES CAN BE CLEANED WITH A DAMP CLOTH.

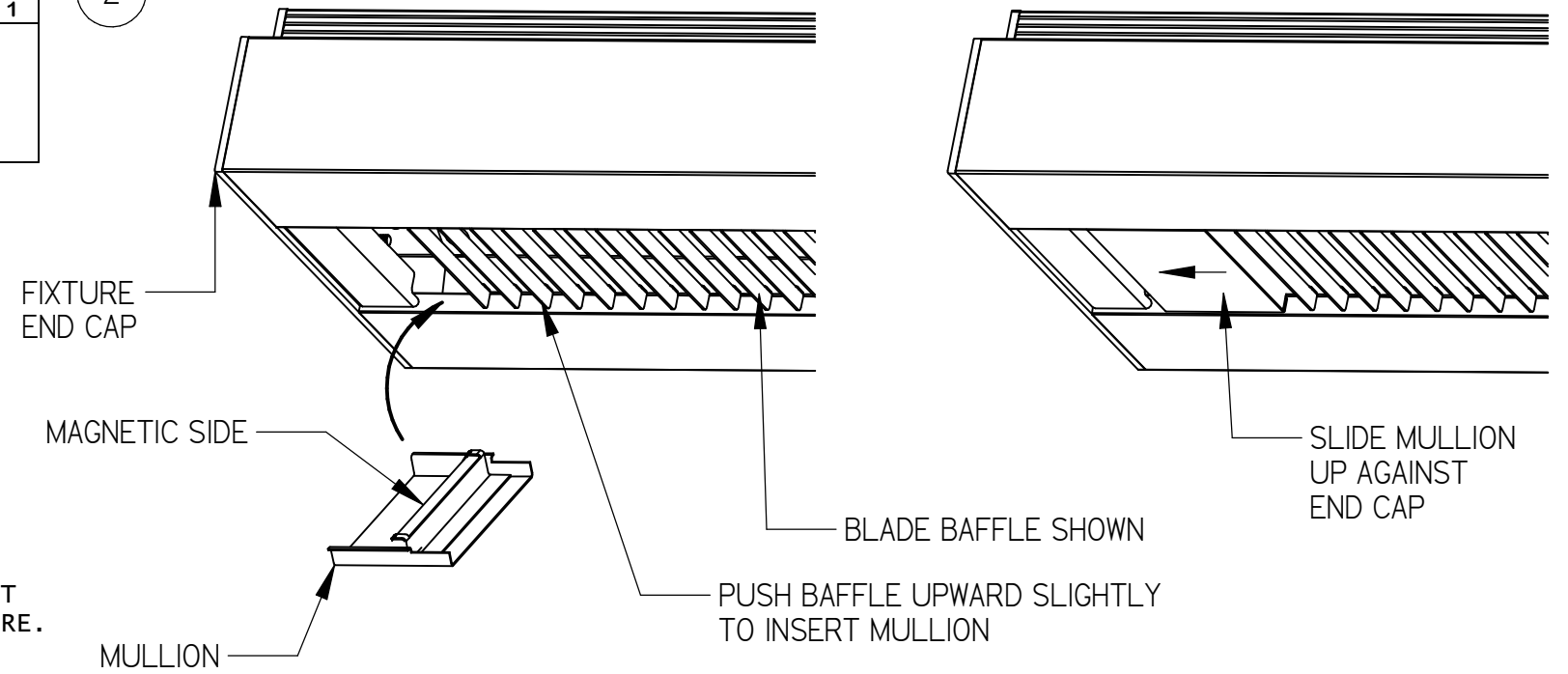
**INSTRUCTIONS:**

1. LIFT AND SHIFT DIFFUSER INTO FIXTURE OPENING UNTIL THE SIDES SEAT ONTO EDGES OF HOUSING AS SHOWN BELOW.
2. WHILE CAREFULLY PUSHING DIFFUSER UPWARD, INSERT MULLION INTO FIXTURE OPENING UNTIL IT SEATS ONTO EDGES OF HOUSING. SLIDE MULLION TOWARDS SOCKET END OF LAMP COMPARTMENT UNTIL MAGNETIC STRIP MAKES CONTACT WITH END HEADER. REPEAT AT OPPOSITE END OF FIXTURE. TWO MULLIONS ARE INSTALLED AGAINST THE CENTER HOUSING BRACKET LOCATED BETWEEN LAMP COMPARTMENTS ON 96" & 144" LONG FIXTURES.

*NOTE: MAGNETIC SIDE OF MULLION WILL ALWAYS FACE TOWARD LAMP SOCKETS.*

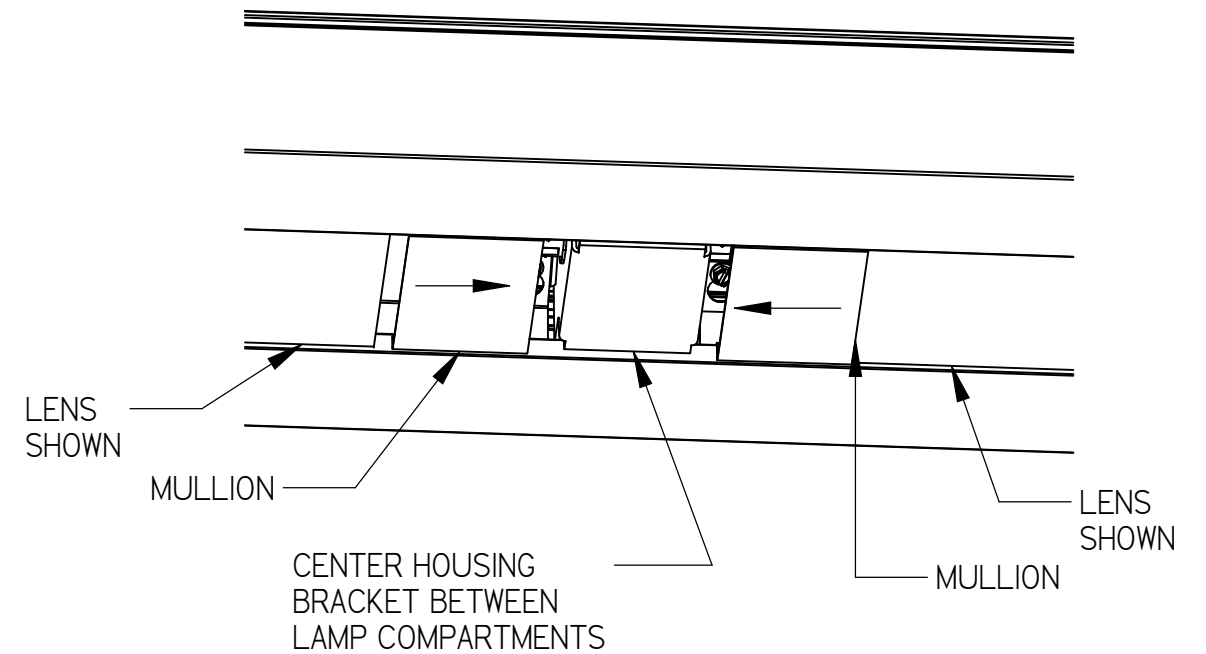
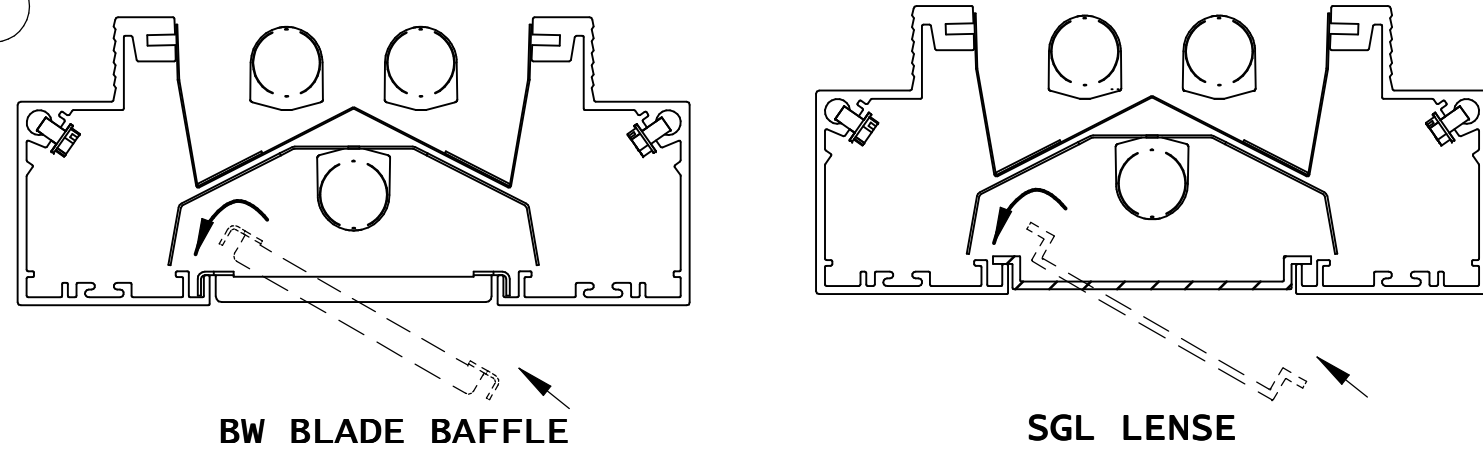
3. AFTER MULLIONS ARE INSTALLED, REPOSITION DIFFUSERS SO THAT THEY SEAT ON MULLIONS. CENTER THE BLADE BAFFLE IN LAMP COMPARTMENT SO THAT BLADES LOOK EQUIDISTANCE FROM EACH END OF MULLION.
4. TO RE-LAMP FIXTURES, TURN OFF POWER TO FIXTURE AND WAIT FOR LAMPS TO COOL DOWN. PUSH UPWARD ON DIFFUSER AND GRASP MULLIONS. PULL MULLIONS AWAY FROM END HEADERS OR CENTER HOUSING BRACKETS AND SHIFT OUT OF FIXTURE. REMOVE DIFFUSER, REPLACE LAMPS AND REPEAT STEPS 1 & 2 ABOVE.

2



**MULLION ATTACHMENT AT ENDS OF FIXTURES**

1



**MULLION ATTACHMENT BETWEEN LAMP COMPARTMENTS**