

**INSTALLATION INSTRUCTIONS**

FIXTURE TYPE \_\_\_\_\_

**COVE 25  
CC-AI-2500**

PG. 1  
OF 1

PART NO. **510379-1000**

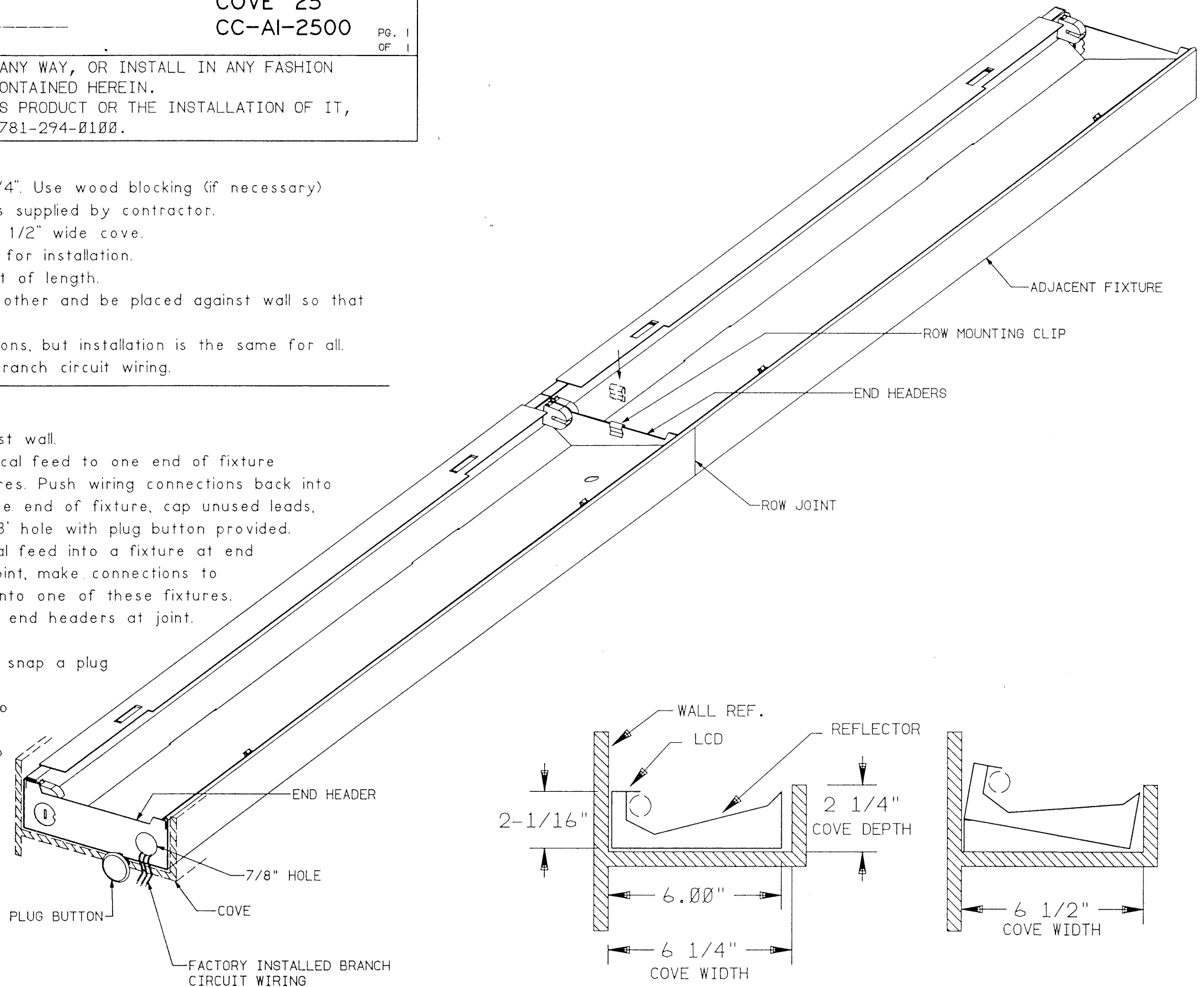
DO NOT MODIFY OR ALTER THIS PRODUCT IN ANY WAY, OR INSTALL IN ANY FASHION WHICH IS CONTRARY TO THE INSTRUCTIONS CONTAINED HEREIN.  
IF YOU HAVE ANY QUESTIONS REGARDING THIS PRODUCT OR THE INSTALLATION OF IT, PLEASE CALL LITECONTROL ENGINEERING AT 781-294-0100.

**GENERAL NOTES:**

- A) Recommended depth of cove should be 2-1/4". Use wood blocking (if necessary) to raise fixture to top of cove. Blocking is supplied by contractor. Fixtures with "AMA" option will require an 6 1/2" wide cove. Refer to instructions shipped with "AMA" kit for installation. Maximum weight of fixture is 3 lbs. per foot of length.
- B) Fixtures in rows must butt up against each other and be placed against wall so that light on wall will be continuous.
- C) This fixture comes in different lamping versions, but installation is the same for all.
- D) Fixtures are supplied with factory installed branch circuit wiring.

**INSTRUCTIONS:**

1. Lift fixture(s) into cove and position up against wall.
  - A) For individually installed fixtures, bring electrical feed to one end of fixture and make connections to branch circuit wires. Push wiring connections back into 7/8" hole in fixture end header. At opposite end of fixture, cap unused leads, push leads back into fixture and cover 7/8" hole with plug button provided.
  - B) For installing rows of fixtures, Bring electrical feed into a fixture at end of row per step A above. At each row joint, make connections to branch circuit wiring and push leads back into one of these fixtures. Snap row mounting clip over edges of both end headers at joint. Repeat this step for each fixture in row. Caps leads at open end of last fixture and snap a plug button into 7/8" hole.
  - C) For fixtures with corner wiring kits, Refer to instructions shipped with kit.
2. Install lamps (by others): by inserting pins into socket and then rotating lamp 90 degrees to engage.
3. Clean exposed surfaces with a general window cleaner.



CROSS SECTION

CROSS SECTION  
AMA OPTION

**LITECONTROL**

100 HAWKS AVENUE - PO BOX 100 - HANSON MA 02341, (781-294-0100)