

INSTALLATION INSTRUCTIONS

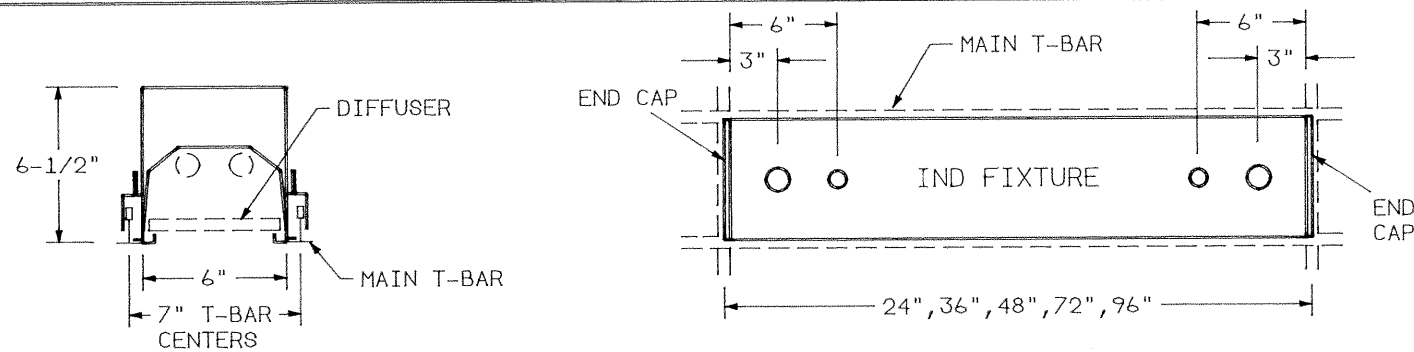
FIXTURE TYPE _____

MOD-66
LG-D-66N00

PART NO. 510137-2000

PG. 1
OF 2

DO NOT MODIFY OR ALTER THIS PRODUCT IN ANY WAY, OR INSTALL IN ANY FASHION WHICH IS CONTRARY TO THE INSTRUCTIONS CONTAINED HEREIN.
IF YOU HAVE ANY QUESTIONS REGARDING THIS PRODUCT OR THE INSTALLATION OF IT, PLEASE CALL LITECONTROL ENGINEERING AT 781-294-0100 .



CROSS SECTION

PLAN VIEW

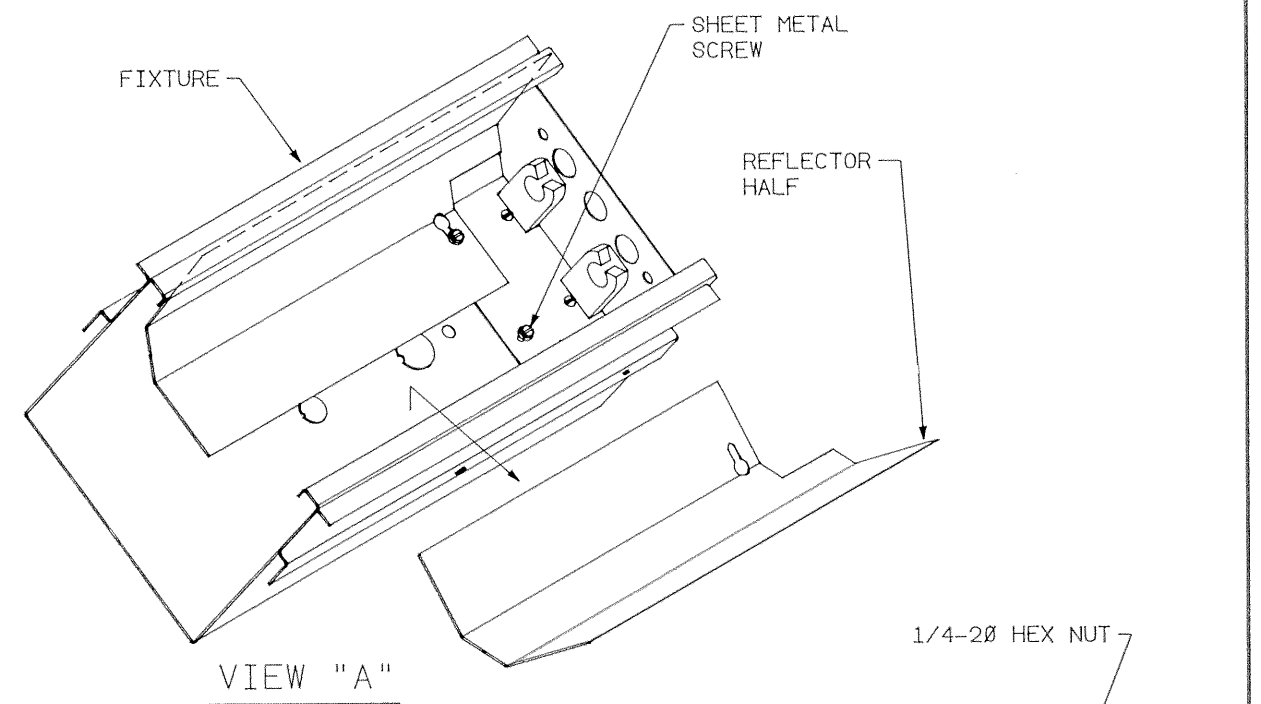
GENERAL NOTE: (READ SHEETS COMPLETELY BEFORE STARTING)

Leave protective wrapping material on fixture until fixtures are mounted:
This will protect finish from damage.

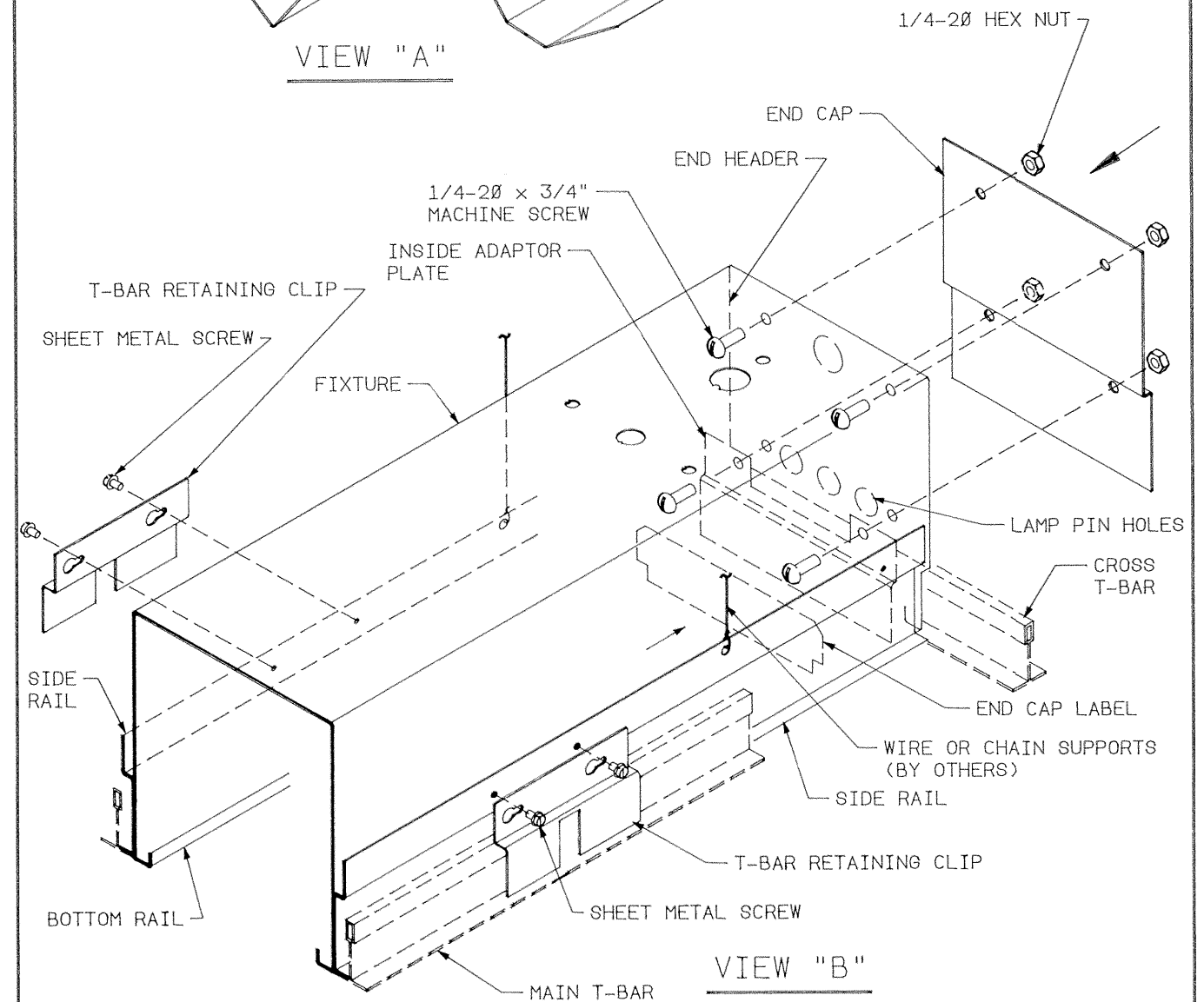
INSTRUCTIONS:

1. Remove Reflector Halves from fixture by loosening (4) sheet metal screws and shifting them out thru keyholes. See View "A".
2. MOUNTING INDIVIDUAL (IND) FIXTURES:
 - A) Remove a 5/8" KO. or a 7/8" KO. at wire feed location in top of fixture as shown in Plan View above.
 - B) Align an Inside Adaptor Plate (shipped separately) with lower End Header holes and bottom holes in End Cap; secure with (2) 1/4-20 x 3/4" long machine screws and hex nuts. Bolt thru upper end header holes and upper end cap holes with (2) additional screws and nuts. See View "B". Repeat at opposite end of fixture.
Note: Fixtures supplied with Parabolic Baffle diffusers (PBSS) are provided with adhesive backed End Cap Labels which are attached to Inside Adaptor Plates after they are installed. Peel off label backing paper and using the fixture bottom rails as a guide, press label onto adaptor plates.
 - C) Lift fixture up into ceiling plenum and seat fixture Side Rails onto main T-bars. Attach T-bar Retaining Clips (shipped separately) to each Side Rail with (2) sheet metal screws. (2) brackets are required for 24", 36" & 48" length fixtures and (6) brackets are required for 72" & 96" length fixtures.
 - D) 1/4" holes have been provided in the side rails for supplementary chain or wire support as may be required by local codes. Installed weight of fixture is approximately 6 lbs per ft of fixture length.
 - E) Bring wire feed thru KO and make connections in fixture wireway.

GO TO STEP 5 ON PAGE 2



VIEW "A"



VIEW "B"

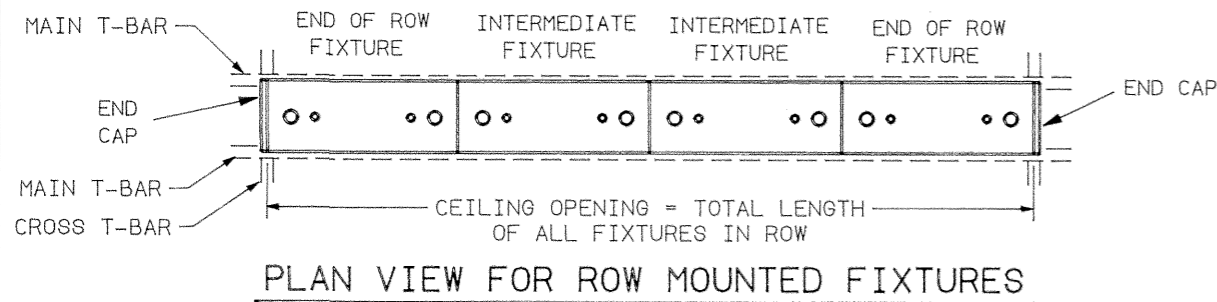
INSTALLATION INSTRUCTIONS

PART NO. 510137-2000

FIXTURE TYPE _____

MOD-66
LG-D-66N00

PG. 2
OF 2



3. MOUNTING ROWS OF FIXTURES:

NOTE: Fixtures mounted together in continuous rows will consist of End of Row (EOR) and Intermediate (INT) type fixtures.

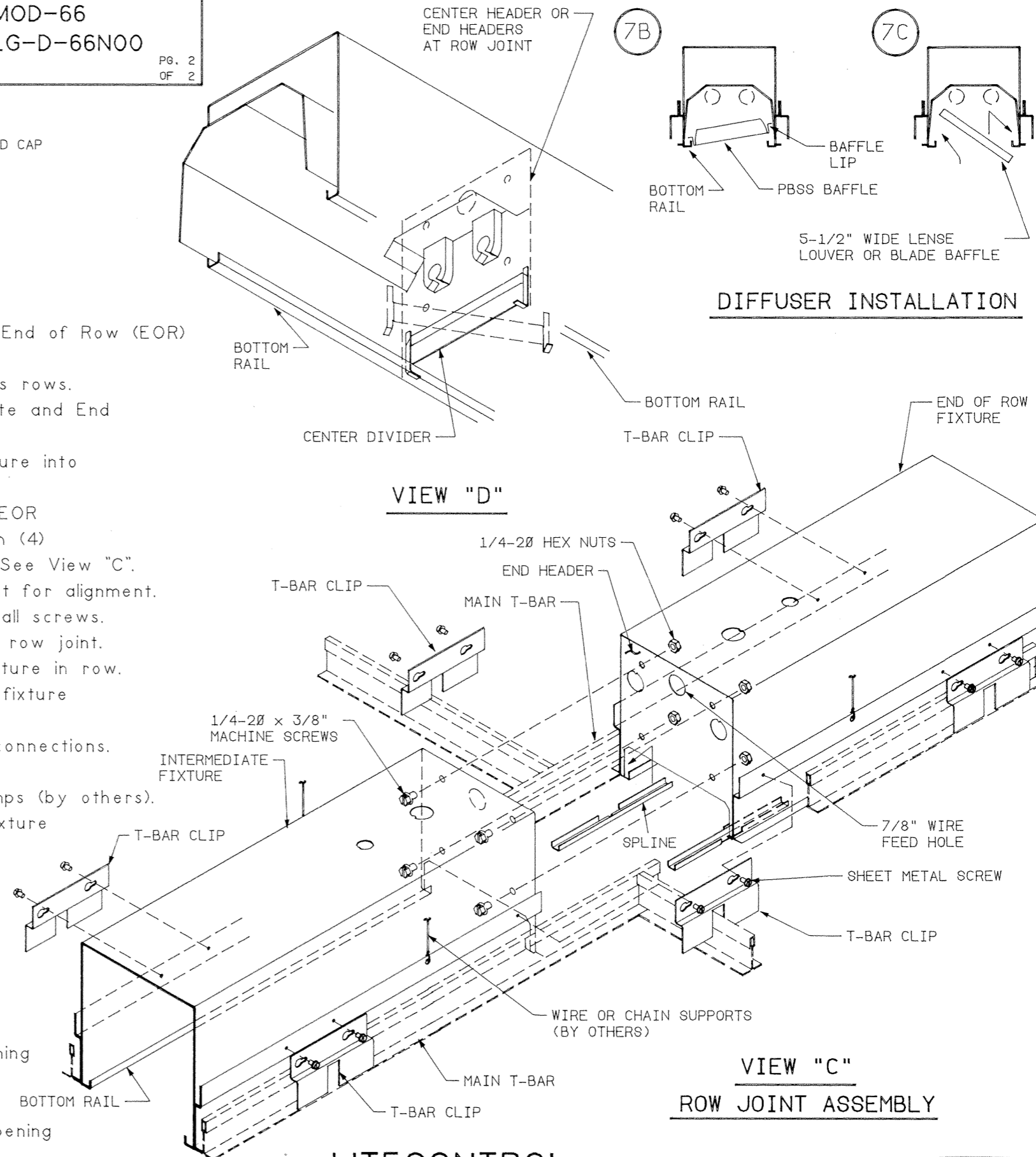
Individual (IND) type fixtures cannot be mounted in continuous rows.

- A) Starting with an End of Row fixture, attach an Inside Adaptor Plate and End Cap to notched end of housing per Step 2B on page 1.
 - B) Remove a KO in top of housing for wire feed and install EOR fixture into ceiling per Steps 2C & 2D.
 - C) Lift an Intermediate fixture up into ceiling opening and abutt the EOR fixture. Loosely bolt this fixture to EOR fixture at row joint with (4) 1/4-20 x 3/8" long machine screws and nuts thru end headers; See View "C".
 - D) Press a Spline (found in polybag) into each bottom rail at row joint for alignment.
 - E) Level each fixture and align seams at row joint before tightening all screws.
 - F) Mount T-Bar Retaining Clips per step 2C. Attach (2) more clips at row joint. Repeat steps 3C, 3D, 3E & 3F for each additional Intermediate fixture in row.
 - G) Install another Inside Adaptor Plate and End Cap in the last EOR fixture in row before installing into ceiling.
4. Bring wire feed thru the 7/8" holes in the end headers and make connections.
 5. Replace all Reflector Halves and remove all wrapping material.
 6. Clean fixture exteriors with a general window cleaner and install lamps (by others). Lamp pins can be inserted into end header holes at one end of fixture in order to clear ceiling T-bar at opposite end of fixture.

7. DIFFUSER INSTALLATION:

Use caution when installing diffusers to prevent lamp damage.

- A) Center Dividers (found in polybag) are used at the center headers of 6' & 8' long fixtures and at each row joint ONLY when Plastic lenses or Louvers are used. Insert Center Divider up thru bottom opening of fixture, rotate into place and then pull down into bottom rails or Splines until seated; See View "D".
- B) PARABOLIC BAFFLES (PBSS or PBSG) are shifted into fixture opening and lowered into place by pulling down on baffle until lip sits on bottom rails.
- C) LENSES, LOUVERS AND BLADE BAFFLES are shifted into fixture opening and rest on top of bottom rails.



LITECONTROL

100 HAWKS AVENUE - PO BOX 100 - HANSON MA 02341, 781-294-0100