

INSTALLATION
INSTRUCTIONS

FIXTURE TYPE _____

END CAPS
P-S/D-1800
S-S/D-1800

P/C 510449-1000

DATE: 5-28-03

PG. 1 OF 1

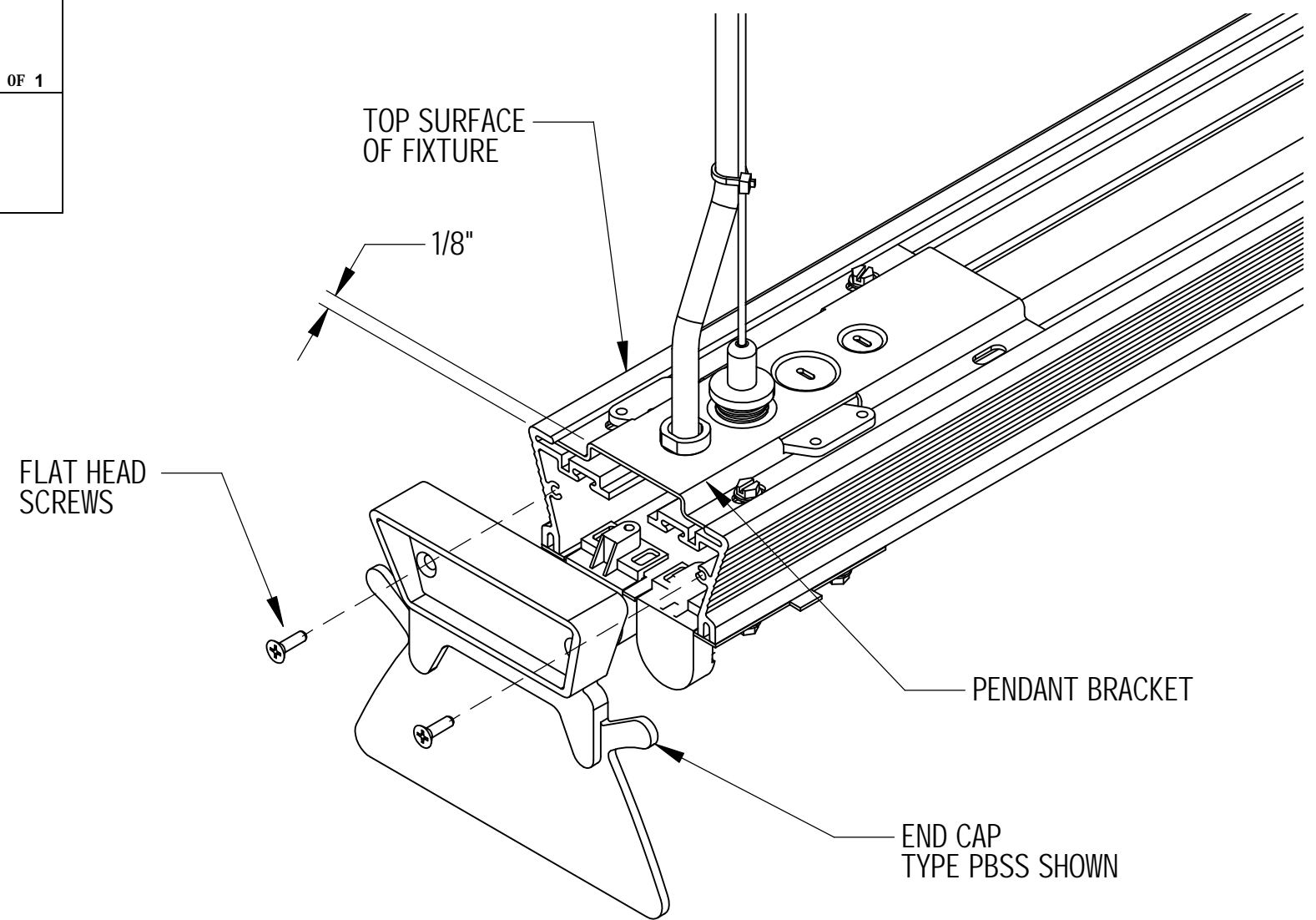
DO NOT MODIFY OR ALTER THIS PRODUCT IN ANY WAY, OR INSTALL IN ANY FASHION WHICH IS CONTRARY TO THE INSTRUCTIONS CONTAINED HEREIN. IF YOU HAVE ANY QUESTIONS REGARDING THIS PRODUCT OR THE INSTALLATION OF IT, PLEASE CALL LITECONTROL ENGINEERING AT 781-294-0100.

GENERAL NOTE:

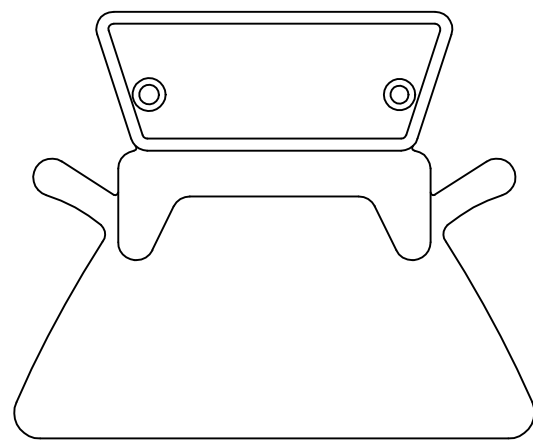
Although there are different types of End Caps for this product line, installation is the same for all types.

INSTRUCTIONS:

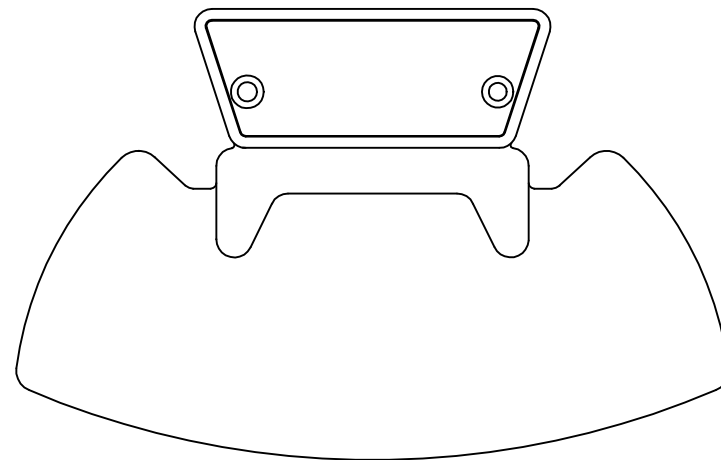
1. End Caps are attached at both ends of an individual fixture and at each end of a row of fixtures.
2. Making sure that Pendant Brackets are recessed 1/8" in from ends of fixture, slide End Cap onto top surface of housing and secure to end of housing with (2) Flat head screws as shown.



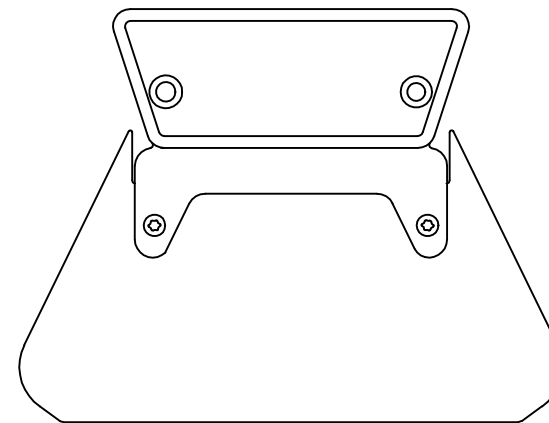
END CAP TYPE MUST MATCH BAFFLE USED IN FIXTURE



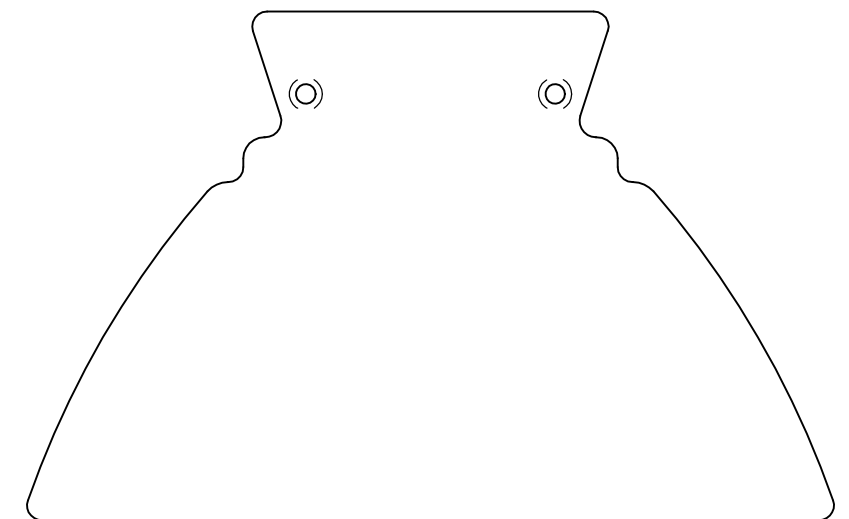
TYPE PBSS



TYPE BW



TYPE PBACR or PBACRG



TYPE HPB