

INSTALLATION INSTRUCTIONS

PART NO. 510388-1000

FIXTURE TYPE _____

P-ID-5200 T5HO
FIXTURE ASSEMBLY

PATENT NO. D431,086

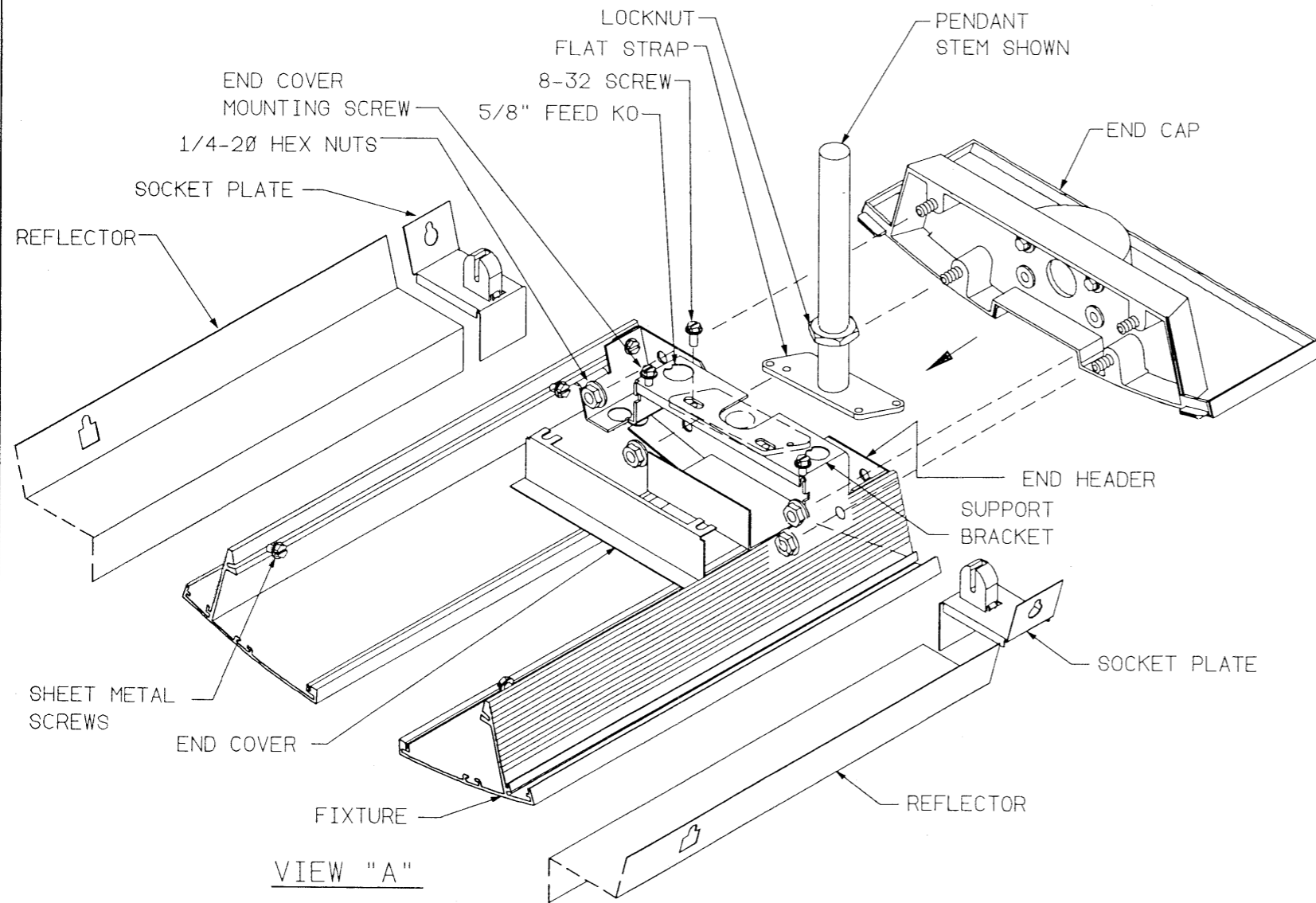
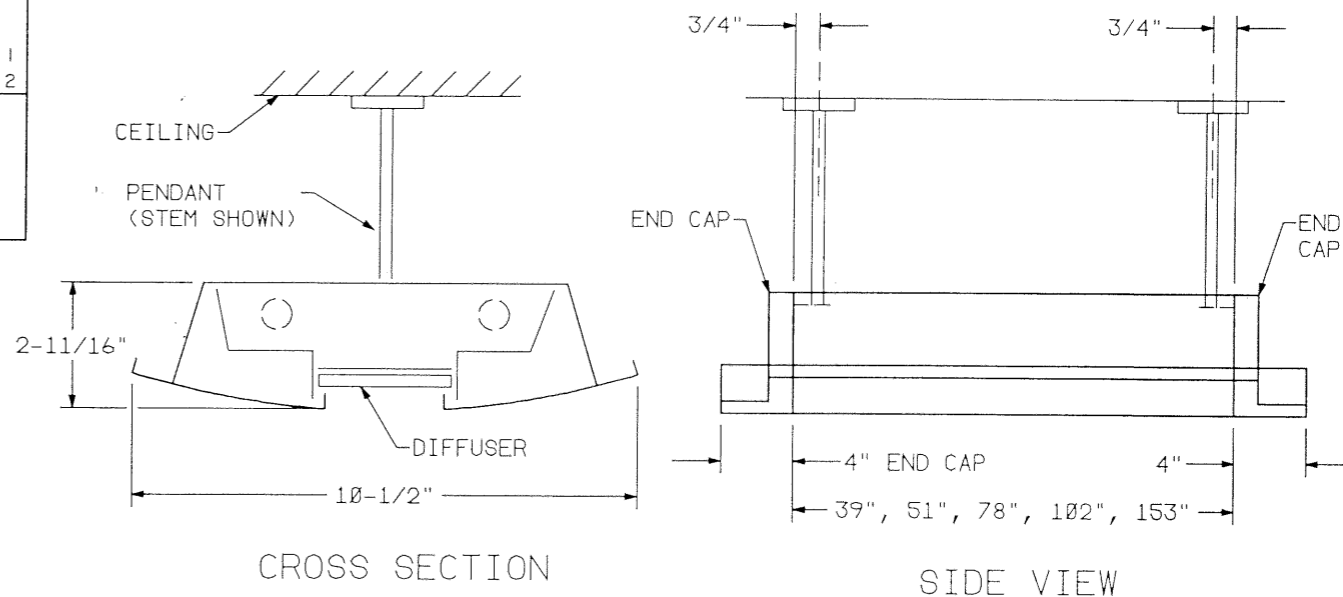
PG. 1
OF 2

DO NOT MODIFY OR ALTER THIS PRODUCT IN ANY WAY, OR INSTALL IN ANY FASHION WHICH IS CONTRARY TO THE INSTRUCTIONS CONTAINED HEREIN.
IF YOU HAVE ANY QUESTIONS REGARDING THIS PRODUCT OR THE INSTALLATION OF IT, PLEASE CALL LITECONTROL ENGINEERING AT 781-294-0100.

General Notes: Read Instructions completely before starting.
Leaving foam wrapping on fixtures until mounting has been completed will help protect finish from damage.

INSTRUCTIONS:

1. Peel back foam wrapping from fixture and lift reflectors and end cover out by loosening sheet metal screws. See View "A".
2. Loosen socket plate mounting screws at ends of fixture and shift socket plates out thru keyholes. This will allow access to install End Caps and attachment of fixtures at row joint.



3. MOUNTING INDIVIDUAL FIXTURES:

- A) Locate pendants in ceiling, along a straight line as shown in Side View above. Refer to Pendant Instruction sheet shipped separately.
- B) Thread a locknut and a Flat Strap onto stem or aircraft cable stud and slide strap underneath support bracket (See View "A"). Secure strap with (1) #8-32 x 3/8" long machine screw. Repeat this step at other end of fixture.
- C) Remove a 5/8" KO in support bracket for wire feed if aircraft cables are used to hang fixture. Feed may be run inside stems when they are used.
- D) Mount an End Cap (shipped separately) to each end of fixture by inserting end cap studs thru holes in end headers. Secure studs with (4) 1/4-20 nuts. Make sure end caps are flush with ends of fixture.
- E) Lift fixture and mount pendants to ceiling. Level fixture up or down by threading stems or cable studs into Flat Straps. Level fixture horizontally by loosening the #8-32 screws and slide flat straps from side to side while lifting up end of fixture. Tighten locknuts and screws after fixture is level. Make wiring connections in fixture wireway.
- F) GO TO STEP 6 on page 2.

LITECONTROL

100 HAWKS AVENUE - PO BOX 100 - HANSON MA 02341, (781-294-0100)

**INSTALLATION
INSTRUCTIONS**

PART NO. 510388-1000

FIXTURE TYPE _____

P-ID-5200 T5HO
FIXTURE ASSEMBLY

PATENT NO. D431,086

PG. 2
OF 2

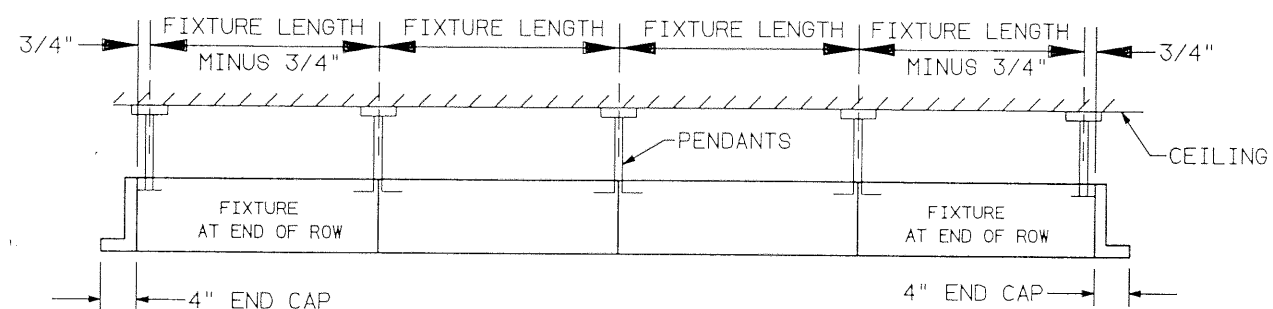
DO NOT MODIFY OR ALTER THIS PRODUCT IN ANY WAY, OR INSTALL IN ANY FASHION WHICH IS CONTRARY TO THE INSTRUCTIONS CONTAINED HEREIN. IF YOU HAVE ANY QUESTIONS REGARDING THIS PRODUCT OR THE INSTALLATION OF IT, PLEASE CALL LITECONTROL ENGINEERING AT 781-294-0100.

INSTRUCTIONS con't:

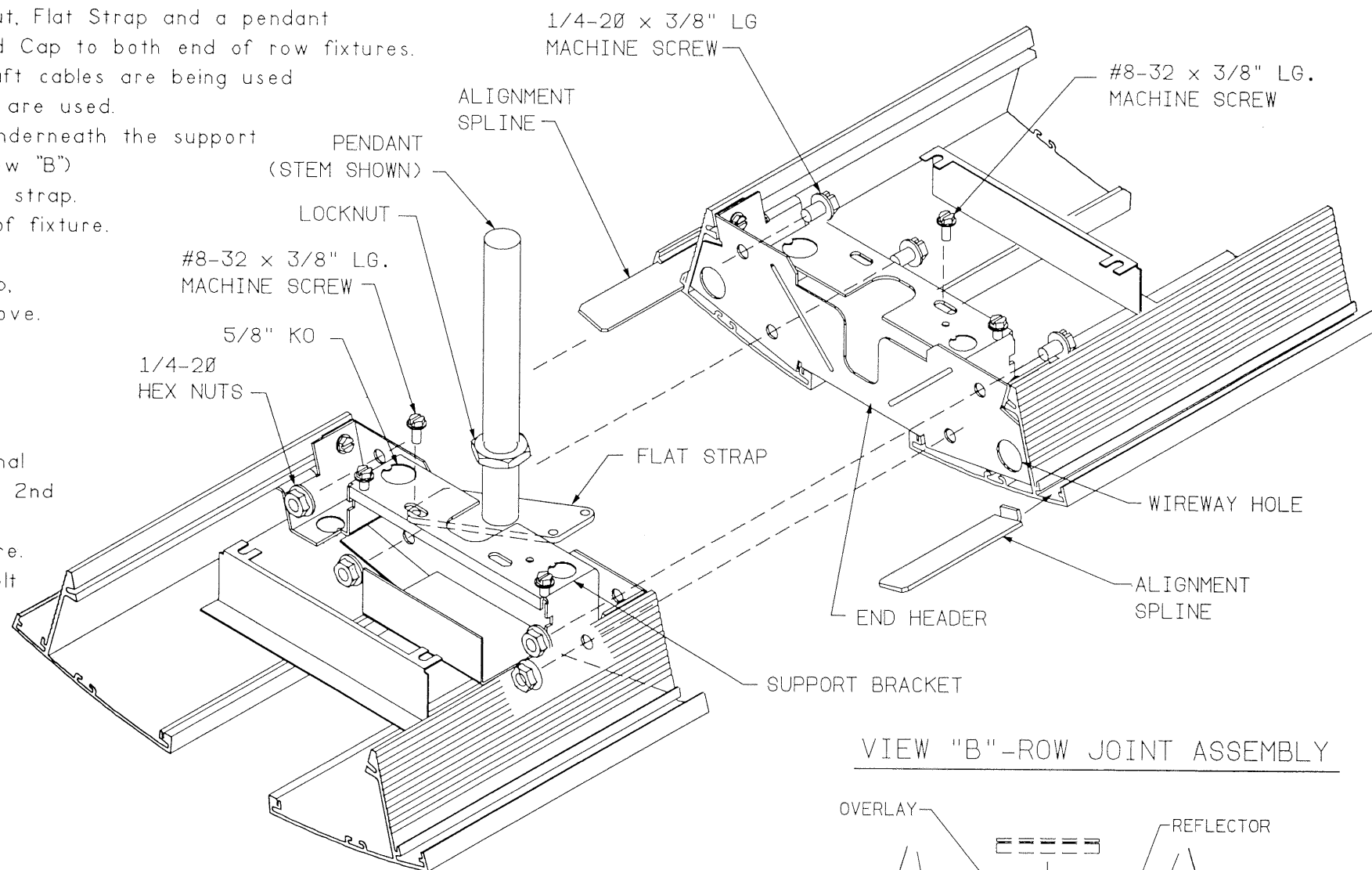
4. MOUNTING ROWS OF FIXTURES:

- A) Locate pendants in ceiling, along a straight line as shown in Side View. Refer to Pendant Instruction sheet shipped separately.
- B) Starting with the fixture at one end of row, attach a Locknut, Flat Strap and a pendant underneath the Support Bracket per step 3B. Mount an End Cap to both end of row fixtures.
- C) Remove a 5/8" KO in support bracket for wire feed if aircraft cables are being used to hang fixtures. Feed may be run inside stems when they are used.
- D) At opposite end of this fixture, loosely mount a Flat Strap underneath the support bracket with (1) #8-32 x 3/8" long machine screw. (See View "B") Thread a Locknut onto pendant and thread pendant into flat strap. NOTE: Position Flat Strap so that it projects out from end of fixture.
- E) Lift fixture up and mount pendants to ceiling.
- F) At the far end of the 2nd fixture in row, mount a Flat Strap, locknut and pendant to its support bracket per step 4D above. Slide an alignment Spline (from polybag kit) into each side of housing at row joint end of this fixture.
- G) Lift open end of this fixture onto the Flat strap of 1st fixture and attach pendant end to ceiling. Grasp pendant at row joint and rotate Flat Strap until diagonal mounting hole aligns underneath the Support Bracket slot of 2nd fixture. Secure with (1) #8-32 x 3/8" long machine screw. Push alignment splines halfway into housing sides of 1st fixture.
- H) Remove 1/4-20 screws and nuts from polybag and loosely bolt both fixtures together thru the (4) holes in end headers.
- J) Level fixtures up or down by threading stems or cable studs into flat straps. Level fixtures horizontally by sliding flat straps from side to side while lifting up end of fixture.
- K) Repeat steps F thru H for each additional fixture in row. After row is hung and leveled, tighten all row mounting bolts and flat strap screws.

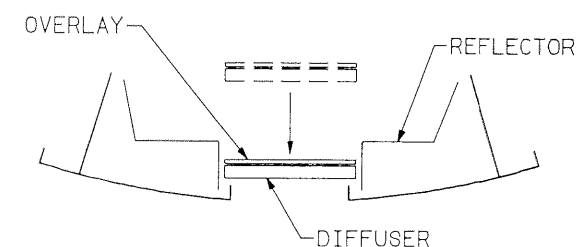
5. Wire feed may be brought into abutting fixtures thru wireway holes in End Headers. Make wiring connections.
6. Raise and secure all pendant canopies. Replace end covers, socket plates, and reflectors.
7. DIFFUSER INSTALLATION: (shipped separately)
Diffusers are installed from the top of fixtures and are seated onto housing sides between reflectors. White acrylic overlay sits on top of diffuser with smooth side up.
8. Clean exterior surfaces of fixture with a window cleaner. Install lamps (by others) by inserting lamp pins into sockets then rotating lamps 90 degrees.



SIDE VIEW-ROW MOUNTED FIXTURES



VIEW "B"-ROW JOINT ASSEMBLY



DIFFUSER INSTALLATION

LITECONTROL

100 HAWKS AVENUE - PO BOX 100 - HANSON MA 02341, (781-294-0100)