

INSTALLATION  
INSTRUCTIONS

FIXTURE TYPE \_\_\_\_\_

FIXTURE  
P-S/D-1800  
S-S/D-1800

PG. 1 OF 2

P/C 510448-1000

DO NOT MODIFY OR ALTER THIS PRODUCT IN ANY WAY, OR INSTALL IN ANY FASHION WHICH IS CONTRARY TO THE INSTRUCTIONS CONTAINED HEREIN. IF YOU HAVE ANY QUESTIONS REGARDING THIS PRODUCT OR THE INSTALLATION OF IT, PLEASE CALL LITECONTROL ENGINEERING AT 781-294-0100.

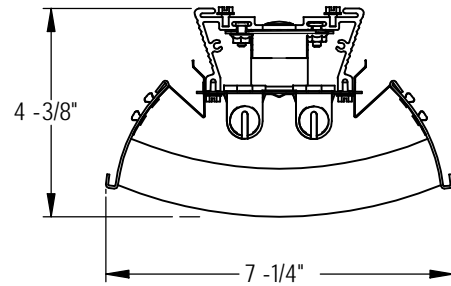
**GENERAL NOTES:** Read all instructions completely before starting.

1. Pendants, Baffles, End Caps, Feed Cord and Pendant Brackets are shipped separately.
2. Fixtures are supplied with factory installed Branch Circuit Wiring, Refer to supplemental instruction sheet for making connections.
3. For Surface Mounted Fixtures, Electrical Outlet box requires a plaster ring to reduce the opening down to a 2" X 4" handy box size or less. 4" leg runs parallel with length of fixture.

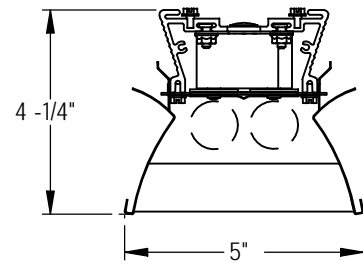
**INSTRUCTIONS:**

1. **MOUNTING INDIVIDUAL FIXTURES:** Refer to View "A" below.

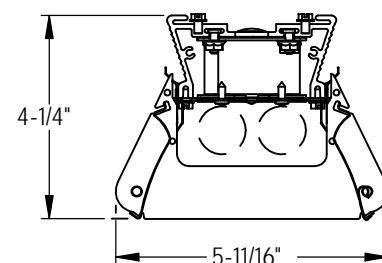
- A) For pendant or surface mounting, Pendant Brackets are installed into top of fixture per Instruction Sheet No. 510450. Two brackets are required for each Individual fixture. Pendant Brackets are recessed 1/8" in from both ends of fixture.
- B) Locate Pendants (stems or aircraft cables) along a straight line in the ceiling as shown in Elevation View. For Surface Mounting, chalk a straight line along mounting surface. Mounting Screws (supplied by Contractor) are located 3-1/4" in from both ends of fixture.
- C) Mount Pendants to Pendant Brackets, lift up Fixture and attach Pendants to ceiling per Stem or Cable instruction sheet. Level fixture and make wiring connections.
- D) Attach an End Cap to each end of fixture by sliding End Cap over top surface of housing and secure with (2) No. 8 x 1/2" Flat head screws shipped with End Caps.
- E) Adjustable Mounting Locations: Additional Pendant Brackets may be slid along top of fixture for retrofit mounting at non-feed locations. Two Pendant Brackets are still required at both ends of fixture to close off wireway. Fixture cannot be cantilevered for more than 24". Adjustable Locations cannot be used when surface mounting.



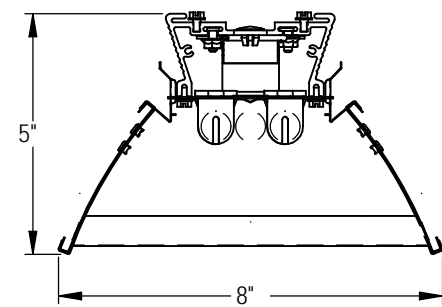
CROSS SECTION  
T5HO LAMPS  
WITH BW BAFFLE



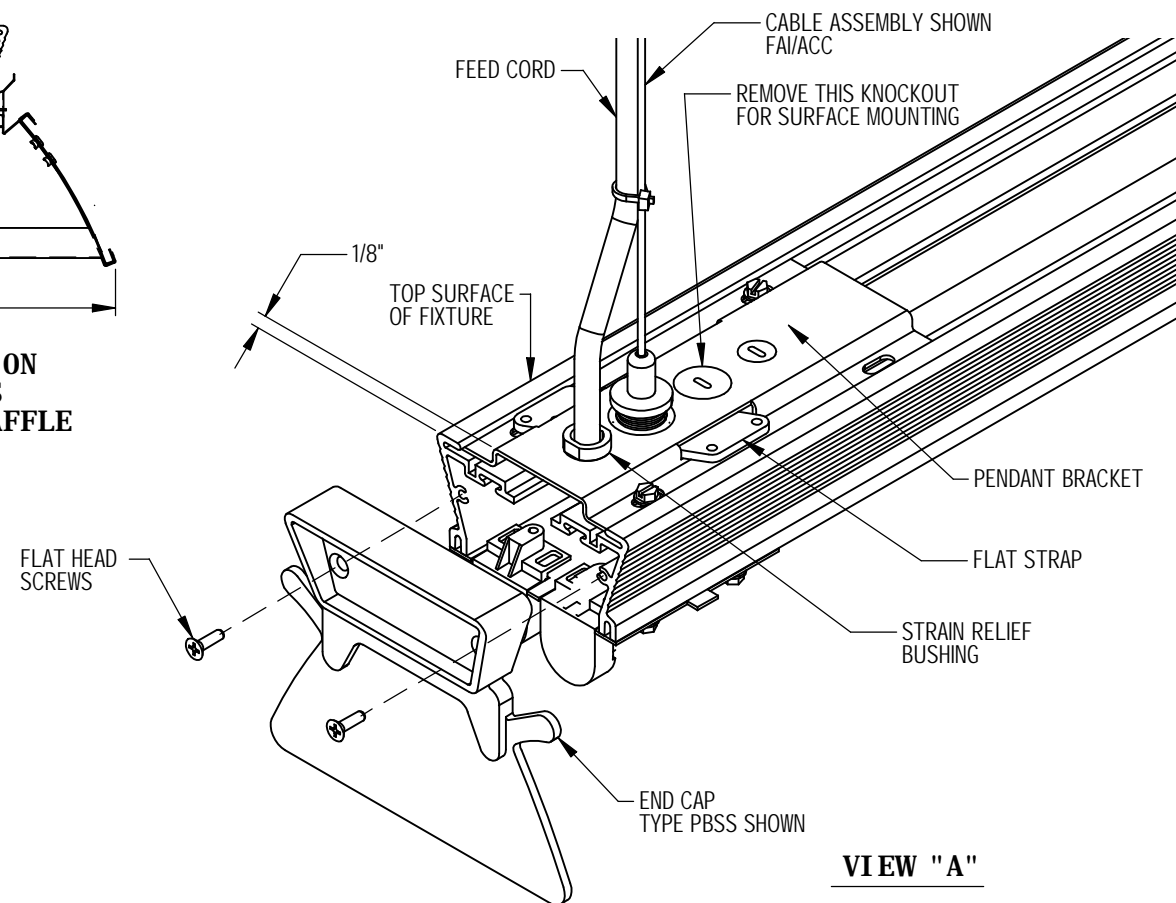
CROSS SECTION  
T8 LAMPS  
WITH PBSS BAFFLE



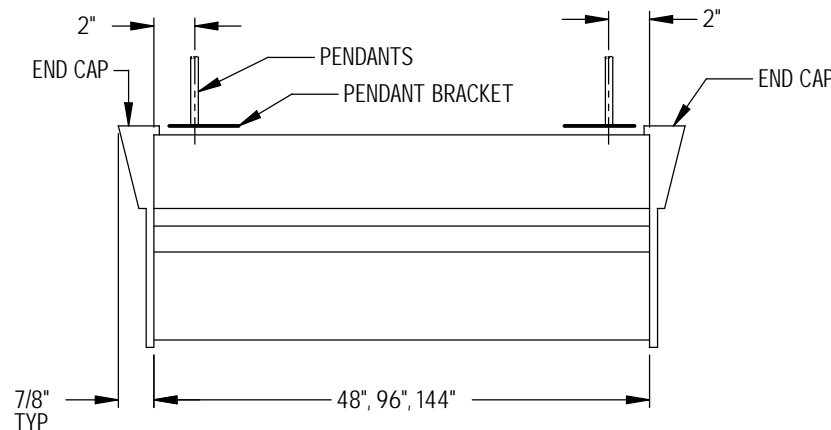
CROSS SECTION  
T8 LAMPS  
WITH PBACR BAFFLE



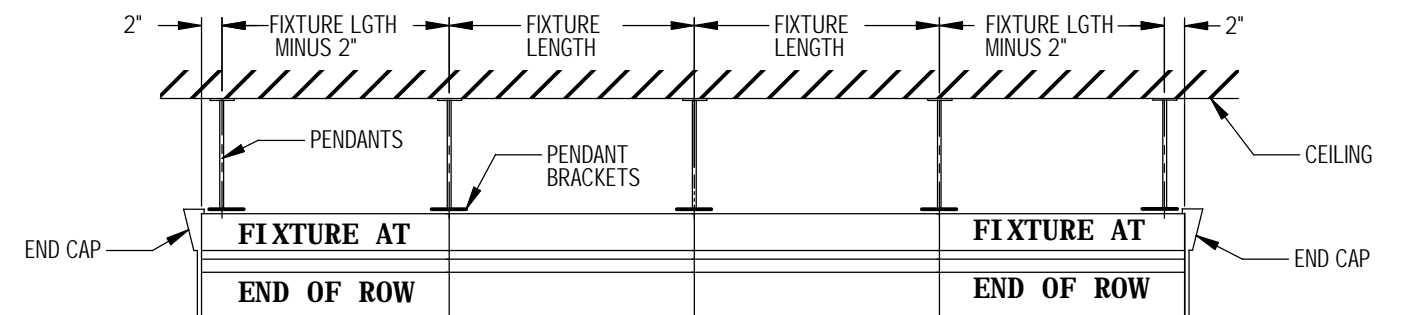
CROSS SECTION  
T5HO LAMPS  
WITH HPB BAFFLE



VIEW "A"



ELEVATION VIEW - PENDANT LOCATIONS  
FOR INDIVIDUAL FIXTURES



ELEVATION VIEW - PENDANT LOCATIONS  
FOR ROW MOUNTED FIXTURES

INSTALLATION  
INSTRUCTIONS

FIXTURE TYPE \_\_\_\_\_

FIXTURE  
P-S/D-1800  
S-S/D-1800

PG. 2 OF 2

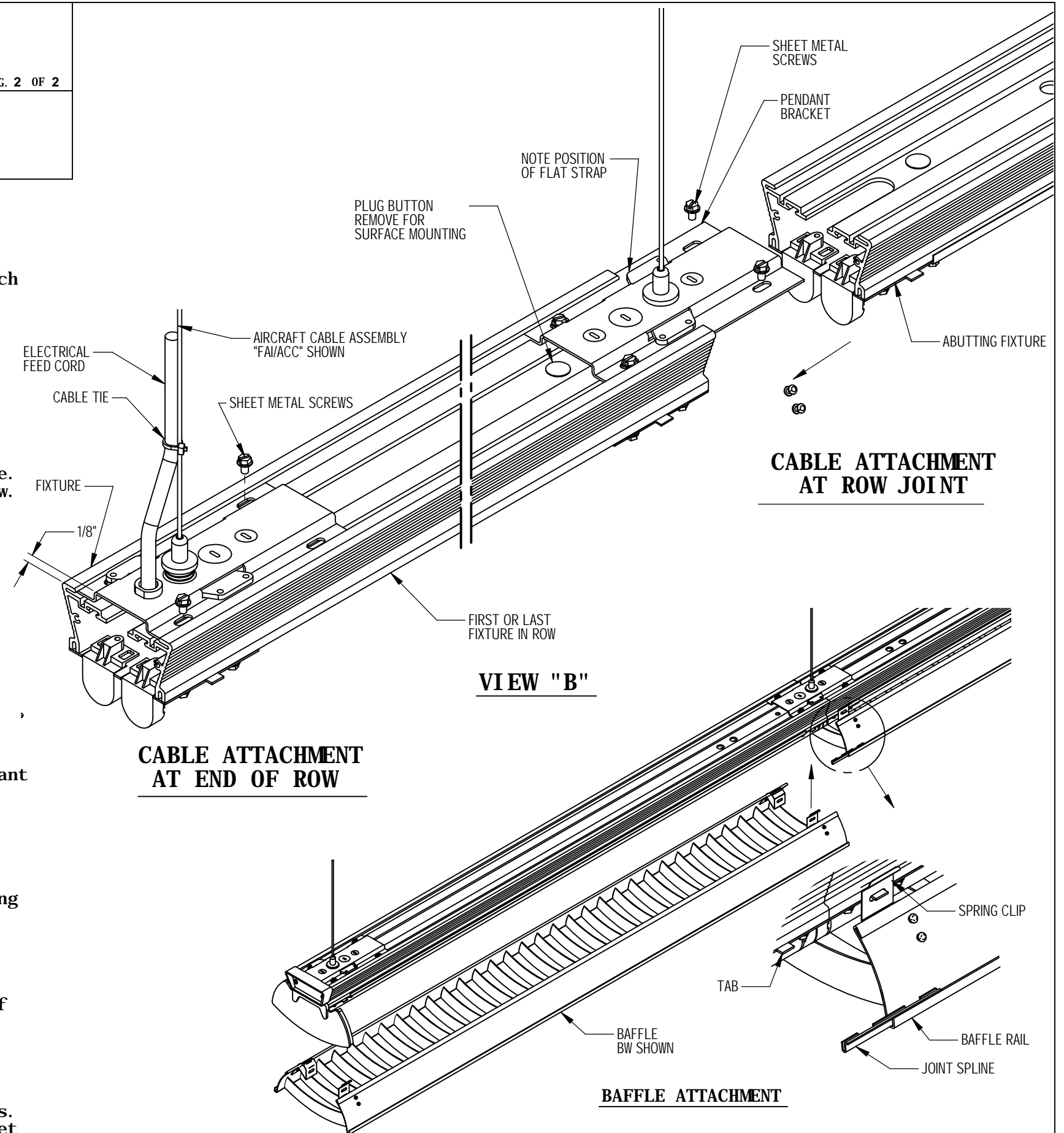
P/C 510448-1000

DO NOT MODIFY OR ALTER THIS PRODUCT IN ANY WAY, OR INSTALL IN ANY FASHION WHICH IS CONTRARY TO THE INSTRUCTIONS CONTAINED HEREIN. IF YOU HAVE ANY QUESTIONS REGARDING THIS PRODUCT OR THE INSTALLATION OF IT, PLEASE CALL LITECONTROL ENGINEERING AT 781-294-0100.

INSTRUCTIONS continued:

2. ROW MOUNTING FIXTURES: Refer to View "B".

- A) For pendant or surface mounting, Pendant Brackets are installed into top of fixture per Instruction Sheet No. 510450. One bracket is required at the end of the first and last fixture in row plus one bracket spanning each row joint.
  - B) Locate Pendants (stems or aircraft cables) along a straight line in the ceiling as shown in Elevation View on Page 1. For Surface Mounting, chalk a straight line along mounting surface. Mounting Screws (supplied by Contractor) are located 3-1/4" in from both ends of fixture. Two screws are required for each surface mounted fixture.
  - C) Mount Pendants to first fixture in row, Note the Pendant Bracket at each row joint extends half way out end of fixture. Lift up Fixture and attach stems or cables to ceiling per pendant instruction sheet and level fixture. Attach another Pendant Bracket onto the far end of the next fixture in row. Slide the open end onto the Pendant Bracket of first fixture and secure with sheet metal screws as shown. Make sure that fixtures butt up against each other before tightening screws. Repeat this step for each fixture in row. Make wiring connections and go to Step 4.
  - D) For Surface mounting rows of fixtures, Remove the knockouts in Pendant Brackets as shown on Instruction sheet 510450. NOTE: You do not have to remove any knockouts in Brackets that are used at row joint unless electrical feed is being brought into fixtures at this point. Remove the plug buttons in the top of fixture. These holes are used to fasten fixtures to mounting surface with screws (supplied by contractor).
  - E) Remove Reflectors from fixtures by loosening 4 sheet metal screws.
  - F) Mount first fixture to surface and level. Attach another pendant bracket onto far end of the next fixture in row. Slide the open end onto the Pendant Bracket of the first fixture and secure in place with mounting screws making sure that fixtures butt up against each other at row joint before tightening mounting screws. Repeat this step for each fixture in row. Level Row and make wiring connections in fixture wireway. Replace reflectors.
3. ADJUSTABLE MOUNTING LOCATIONS: Additional Pendant Brackets may be slid along top surface of housing for retrofit mounting at non-feed locations. Feed location must remain at End of Row or at a Row Joint. Pendant Brackets are still required at each row joint and at end of rows. Fixtures cannot be cantilevered for more than 24". This cannot be used when surface mounting.
4. Attach an End Cap at each end of and individual fixture and at both ends of a row of fixtures by sliding End Cap over top surface of housing and secure with (2) No. 8 x 1/2" Flat head screws shipped with End Caps. See page 1.
5. Install lamps and clean fixture exterior with a general window cleaner.
6. BAFFLE INSTALLATION: Refer to Instruction sheet 510451 shipped with Baffles. Baffles are attached by inserting cutout in spring clips onto Tabs in Socket Plates. Splines are inserted into bottom of baffle side rails for alignment at each baffle joint.



LITECONTROL

100 HAWKS AVENUE - HANSON MA 02341, (781-294-0100)