

**INSTALLATION
INSTRUCTIONS**

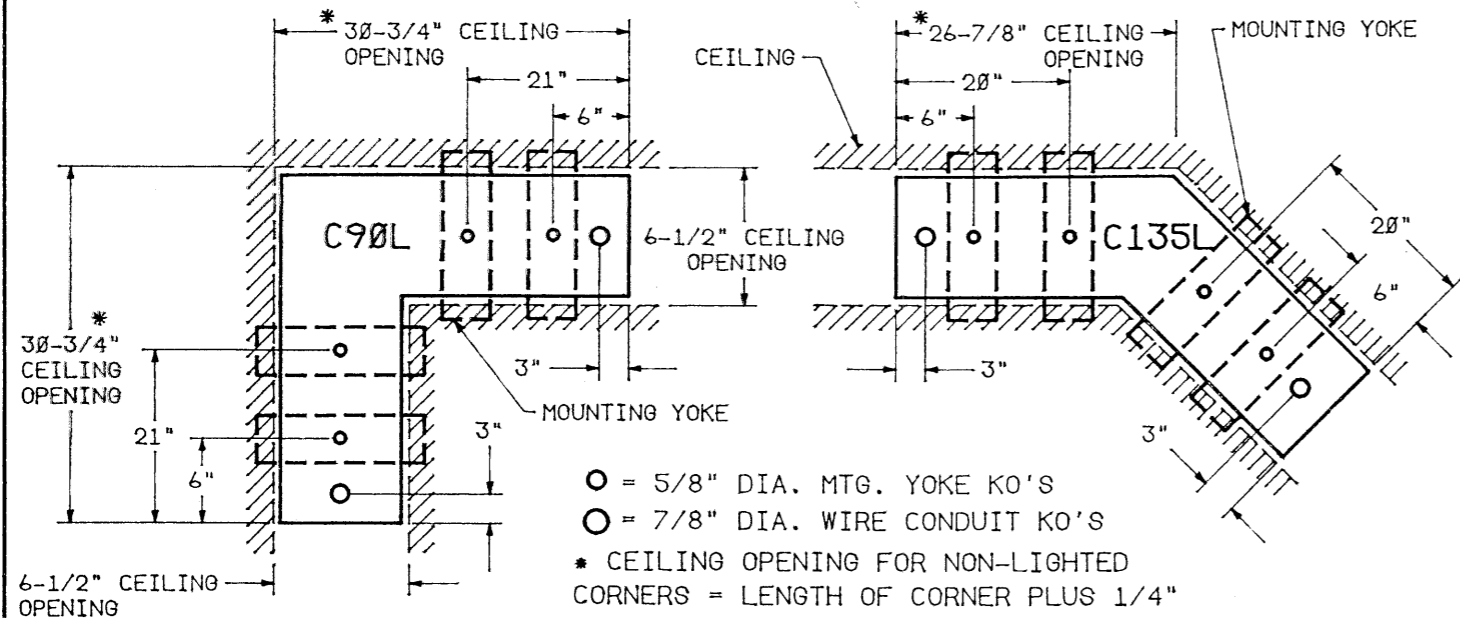
CORNER TYPE _____

**R-D-66N00 LIGHTED AND
NON-LIGHTED CORNERS**

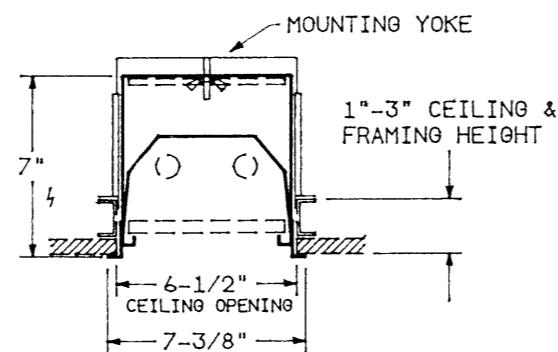
PART
NO. 500063-2000

PG. 1
OF 2

DO NOT MODIFY OR ALTER THIS PRODUCT IN ANY WAY, OR INSTALL IN ANY FASHION WHICH IS CONTRARY TO THE INSTRUCTIONS CONTAINED HEREIN.
IF YOU HAVE ANY QUESTIONS REGARDING THIS PRODUCT OR THE INSTALLATION OF IT, PLEASE CALL LITECONTROL ENGINEERING AT 617-294-0100.



PLAN VIEWS



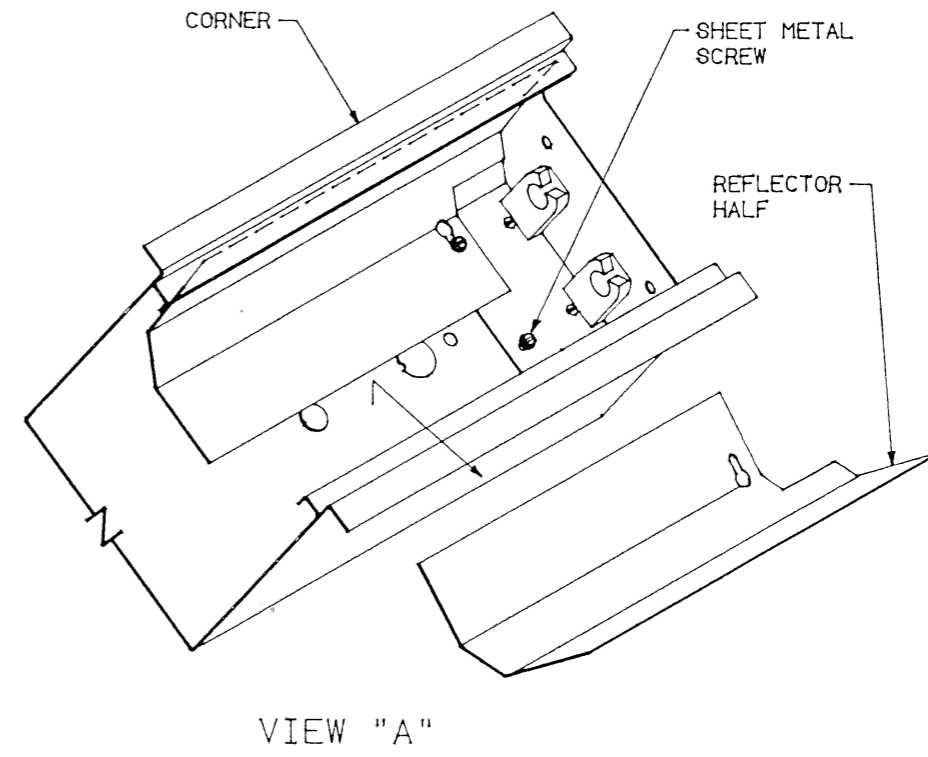
CROSS SECTION

GENERAL NOTES: DIAGRAMS SHOWN ARE FOR LIGHTED CORNERS; NON-LIGHTED CORNERS ARE INSTALLED IN A SIMILAR MANNER.

- A) (READ SHEETS COMPLETELY BEFORE STARTING)
To protect finish from damage, leave wrapping material on corner until installed.
- B) Corners are installed before fixtures in a row.

INSTRUCTIONS:

1. Remove Reflector Halves from corner by loosening (8) sheet metal screws and shifting them out thru keyholes; See View "A".
2. Remove the 5/8" Mounting Yoke KO's and (1) 7/8" KO at wire feed location in top of corner as shown in Plan View above.
3. Locate Mounting Yokes (shipped separately) in ceiling opening as shown in Plan View above. Adjust and install yokes (4 per corner) as shown on Instruction sheet No. 510088 shipped with mounting yokes.
4. Lift corner up into ceiling opening enough to attach Support Channels and Wingnuts from inside corner onto mounting yoke studs; See View "B" on page 2. Bring wire feed thru 7/8" KO into wireway and make connections. Lift fixture up flush to ceiling and tighten wingnuts.



5. MOUNTING CORNER TO ADJACENT FIXTURES:

- A) Install and adjust fixture mounting yokes per fixture instruction sheet.
- B) Lift fixture up into ceiling opening and attach to its mounting yokes. Bring fixture up flush to ceiling and abutt corner. Loosely bolt this fixture to corner with (4) 1/4-20 x 3/8" long machine screws and nuts thru end headers; See View "B" on page 2.
- C) Press a Spline (found in polybag) into each bottom rail at row joint for alignment.
- D) Level each fixture and align seams at row joint before tightening all screws. Repeat step 4 for installing another fixture against opposite leg of corner.
6. Bring wire feed thru the 7/8" holes in the end headers and make connections.
7. Replace all Reflector Halves and remove all wrapping material.
8. Clean fixture exteriors with a general window cleaner and Install lamps (by others).

**INSTALLATION
INSTRUCTIONS**

PART
NO. 500063-2000

**R-D-66N00 LIGHTED AND
NON-LIGHTED CORNERS**

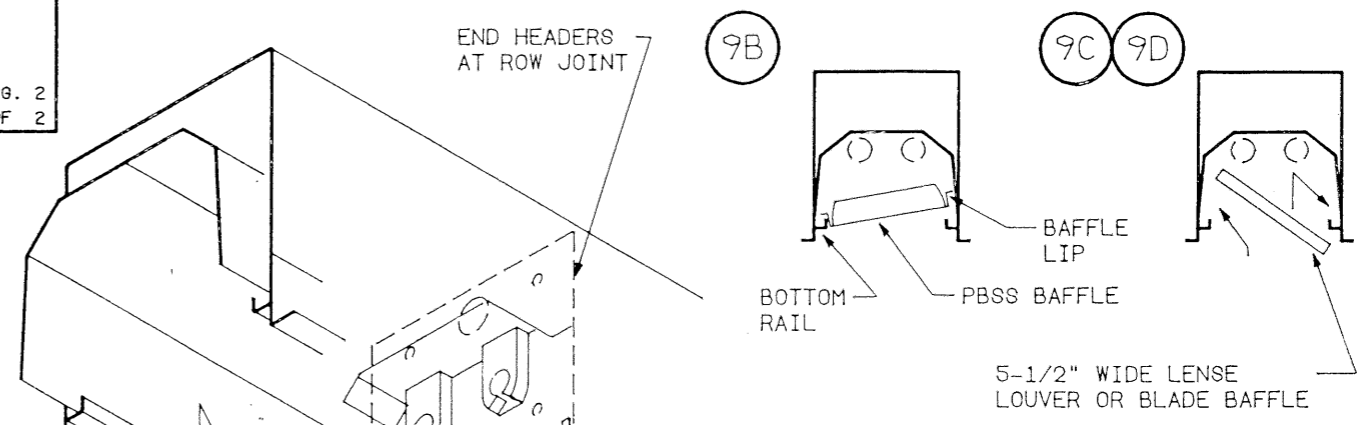
CORNER TYPE _____

Pg. 2
OF 2

9. DIFFUSER INSTALLATION:

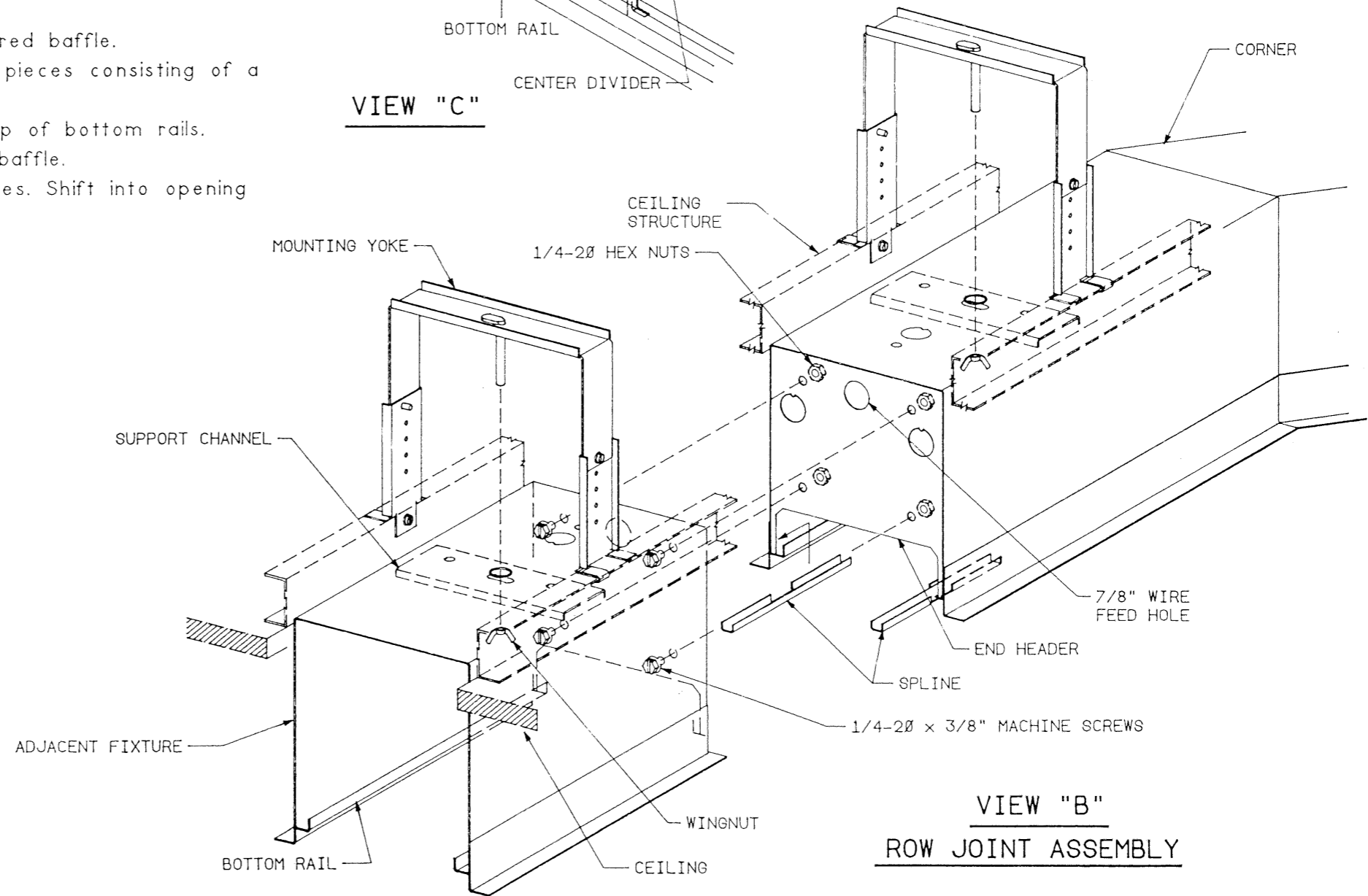
Use caution when installing diffusers to prevent lamp damage.

- A) Center Dividers (found in polybag) are used at each row joint ONLY when Plastic lenses or Louvers are used. Insert Center Divider up thru bottom opening of fixture, rotate into place and then pull down into bottom rails or Splines until seated; See View "C".
- B) PARABOLIC BAFFLES (PBSS or PBSG) are supplied in (3) pieces consisting of a mitred corner baffle and (2) straight leg baffles. Shift mitred baffle into opening first and lower into place by pulling down on baffle until lip sits on bottom rails. Shift each leg baffle into opening and abutt the mitred baffle.
- C) BLADE BAFFLES (BW, BB, BA, BZ) are supplied in (3) pieces consisting of a mitred corner baffle and (2) straight leg baffles. Shift mitred baffle into opening first and rest on top of bottom rails. Shift each leg baffle into opening and abutt mitred baffle.
- D) LENSES and LOUVERS are supplied in (2) mitred halves. Shift into opening and rest on top edge of bottom rails. Lenses are installed with smooth side up.



DIFFUSER INSTALLATION

VIEW "C"



**VIEW "B"
ROW JOINT ASSEMBLY**