

INSTALLATION INSTRUCTIONS

P/C 510159-3000

Fixture Type

Wall/Slot 85N

Diffusers

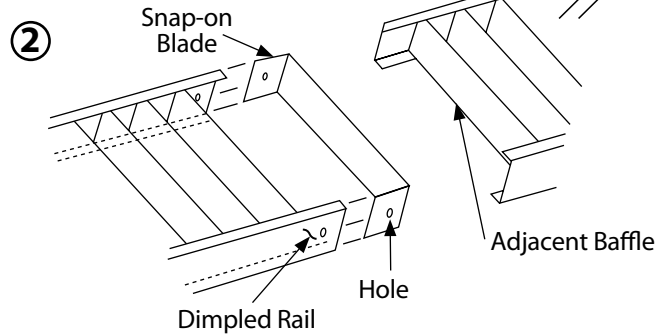
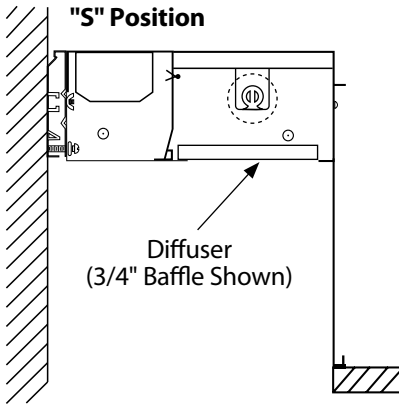
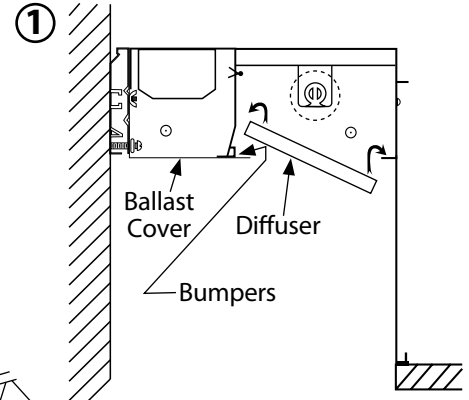
Do not modify or alter this product in any way, or install in any fashion which is contrary to the instructions contained herein. If you have any questions regarding this product or the installation of it, please call Litecontrol Engineering at 781-294-0100.

NOTES: "S" Position

- Diffusers are not used with straight extensions or corner kits.
- 3/4" baffles for 6' and 8' fixtures require a snap-on blade. See Step 2.

"S" Position

1. Lift and shift diffusers into housing and slide it up against bumpers on ballast cover.
2. For 6' and 8' fixtures: snap an individual blade into one end of (1) baffle and install this end at center of fixture to present a continuous blade appearance.

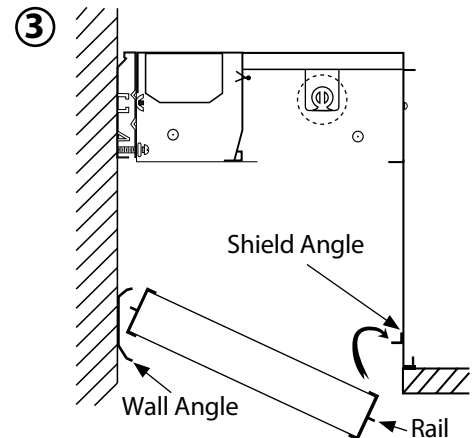
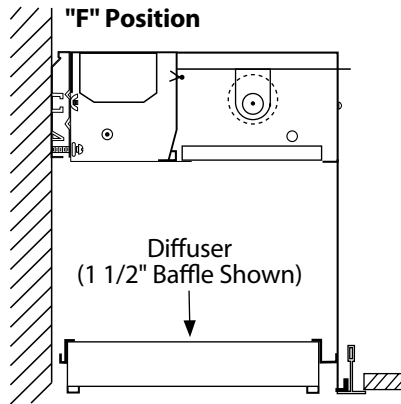
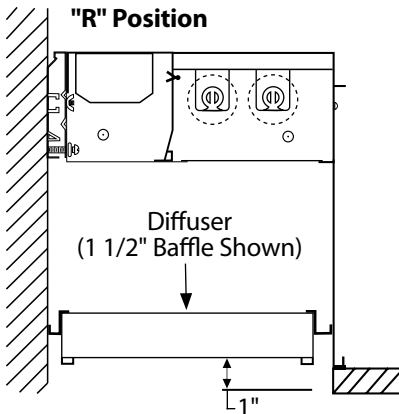


NOTES: "R" and "F" Position

- Corner baffles are installed before 4' long baffles.
- 1 1/2" baffles are provided in 3' and 4' lengths (3' baffles are used for field trimming only).
- Parabolic baffles and lens are provided in 4' lengths.
- Baffles are shipped with splines in one end of each rail for alignment in rows.

"R" and "F" Position

3. Lift and shift diffusers into ceiling opening. Seat diffuser rails on wall and shield angles.



INSTALLATION INSTRUCTIONS

P/C 510159-3000

Fixture Type

Wall/Slot 85N

Diffusers

Do not modify or alter this product in any way, or install in any fashion which is contrary to the instructions contained herein. If you have any questions regarding this product or the installation of it, please call Litecontrol Engineering at 781-294-0100.

Splining "R" and "F" Position Baffles

4. For 1 1/2" baffles, slide out splines before installing baffle. Install baffles and butt side rails together. Snap in splines at rail joints.
5. Spline and parabolic baffles together by sliding splined end of one baffle into non-splined end of adjacent baffle until rails butt together.

Field trimming "R" and "F" position diffusers at ends of rows

6. a. **Lens:** Trim to fill in at end of row, but allow 1/16" gap for every 4' lens used in row. This prevents buckling of lens from heat expansion.
- b. **1 1/2" Baffles:** Trim 3' long baffle to fill gap at end of row and spline to adjacent baffle.
- c. **Parabolic Baffles:** Trim 4' long baffle to fill gap at end of row and spline to adjacent baffle.

