

**INSTALLATION
INSTRUCTIONS**

PART NO. **510304-3000**

FIXTURE TYPE _____

**P-I-5500 CLASSICA
INTERMEDIATE CONNECTOR**

PATENT NO. 363,805

PG. 1
OF 1

DO NOT MODIFY OR ALTER THIS PRODUCT IN ANY WAY, OR INSTALL IN ANY FASHION WHICH IS CONTRARY TO THE INSTRUCTIONS CONTAINED HEREIN. IF YOU HAVE ANY QUESTIONS REGARDING THIS PRODUCT OR THE INSTALLATION OF IT, PLEASE CALL LITECONTROL ENGINEERING AT 781-294-0100

INSTRUCTIONS:

1. INTERMEDIATE CONNECTOR IS ATTACHED TO ENDS OF FIXTURES USED IN ROWS PRIOR TO HANGING FIXTURE. WIREWAY COVERS ARE ATTACHED AT EACH FIXTURE ROW JOINT. ATTACH INTERMEDIATE CONNECTOR BY INSERTING STUDS THROUGH HOLES IN FIXTURE END HEADERS AND SECURING WITH (8) 1/4-20 HEX NUTS. ATTACH TWO WIREWAY COVERS TO FIXTURE SUPPORT ANGLES USING (2) #8 X 1/4 LG. SHEET METAL SCREWS.
2. RADIAL EDGE OF INTERMEDIATE CONNECTOR MUST BE FLUSH AND ALIGNED WITH RADIAL SHAPE OF FIXTURES AT ROW JOINT AFTER ASSEMBLY.

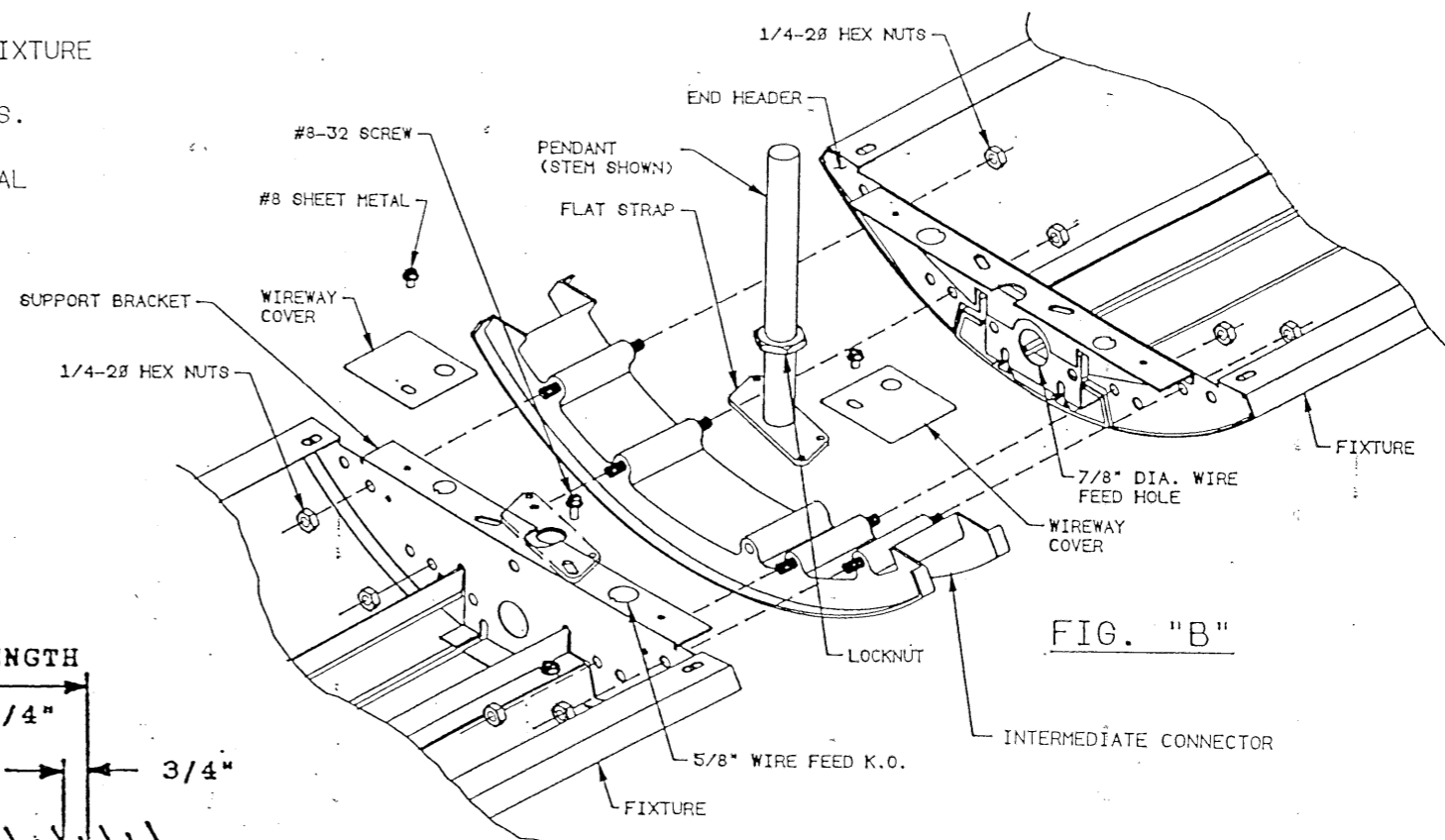
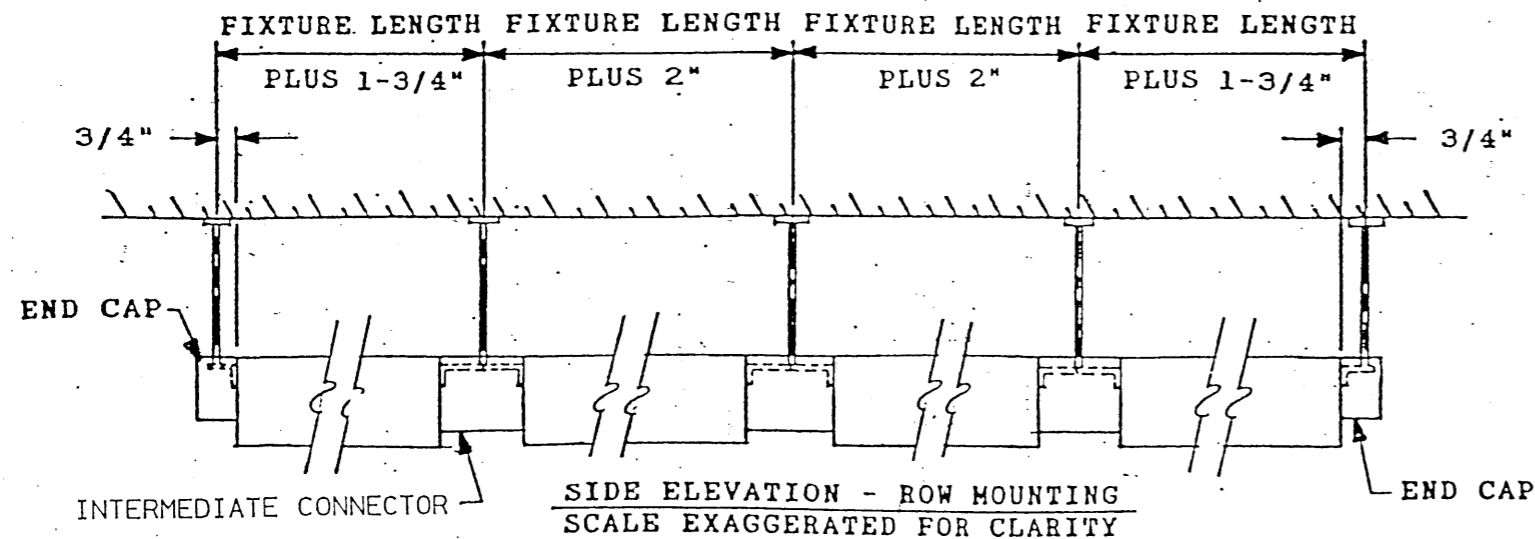


FIG. "B"



LITECONTROL

100 HAWKS AVENUE - PO BOX 100 - HANSON MA 02341,

FORM 8520140-2