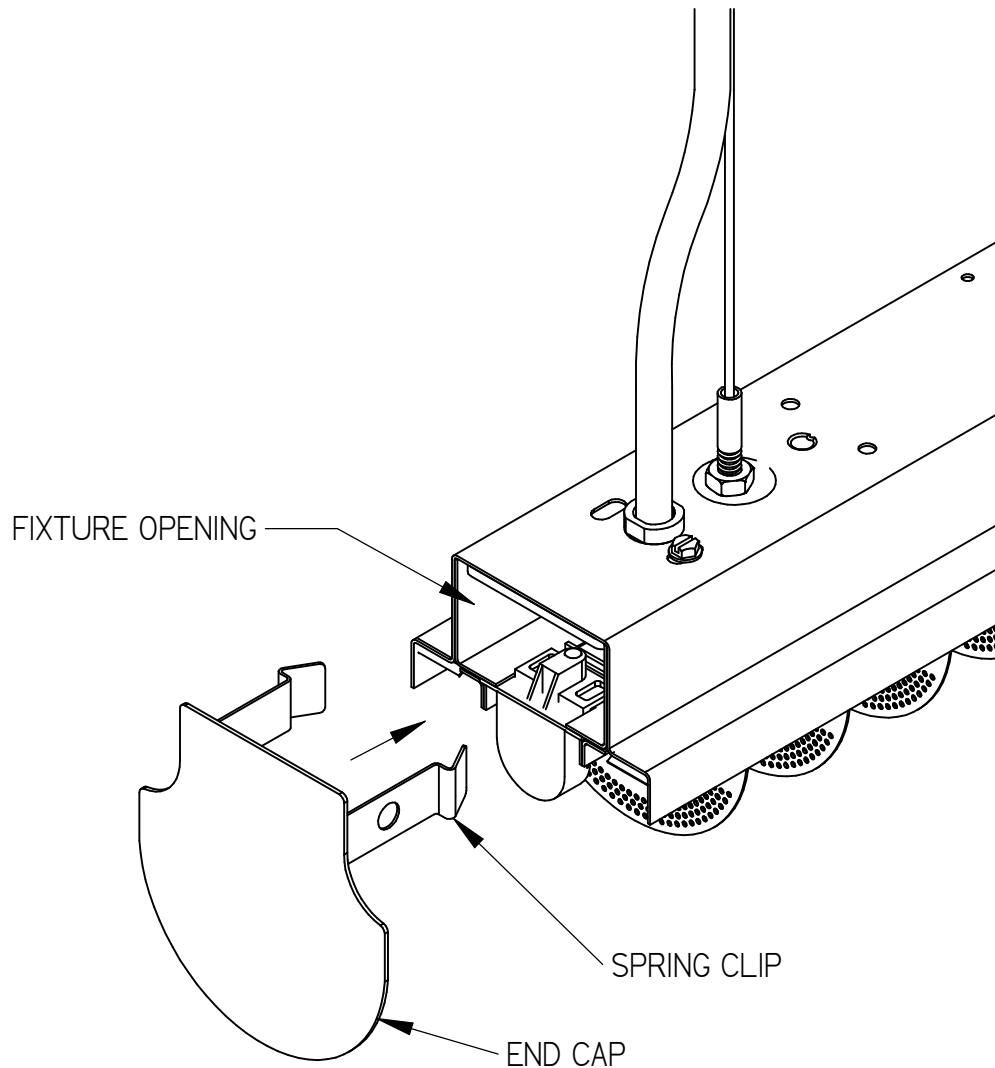


DO NOT MODIFY OR ALTER THIS PRODUCT IN ANY WAY, OR INSTALL IN ANY FASHION WHICH IS CONTRARY TO THE INSTRUCTIONS CONTAINED HEREIN.
IF YOU HAVE ANY QUESTIONS REGARDING THIS PRODUCT OR THE INSTALLATION OF IT, PLEASE CALL LITECONTROL ENGINEERING AT 781-294-0100.



INSTRUCTIONS:

1. ATTACH END CAPS TO BOTH ENDS OF AN INDIVIDUAL FIXTURE OR AT EACH END OF A ROW OF FIXTURES BY INSERTING SPRING CLIP THRU OPENING AT END OF FIXTURE UNTIL IT ENGAGES.
2. CENTER END CAPS WITH SIDES OF FIXTURE AFTER ASSEMBLY.
END CAPS ARE SLIGHTLY LARGER THAN OUTSIDE EDGES OF FIXTURE.