

INSTALLATION
INSTRUCTIONS

FIXTURE TYPE _____

WALLSLOT 8400
S/POSITION FIXTURE

P/C 510575-0000

PG. 1 OF 3

DO NOT MODIFY OR ALTER THIS PRODUCT IN ANY WAY, OR INSTALL IN ANY FASHION WHICH IS CONTRARY TO THE INSTRUCTIONS CONTAINED HEREIN.
IF YOU HAVE ANY QUESTIONS REGARDING THIS PRODUCT OR THE INSTALLATION OF IT, PLEASE CALL LITECONTROL ENGINEERING AT 781-294-0100.

NOTES: PRIOR TO STARTING, REFER TO ROW LAYOUT FOR LOCATION OF FIXTURE TYPES WITHIN THE ROW.

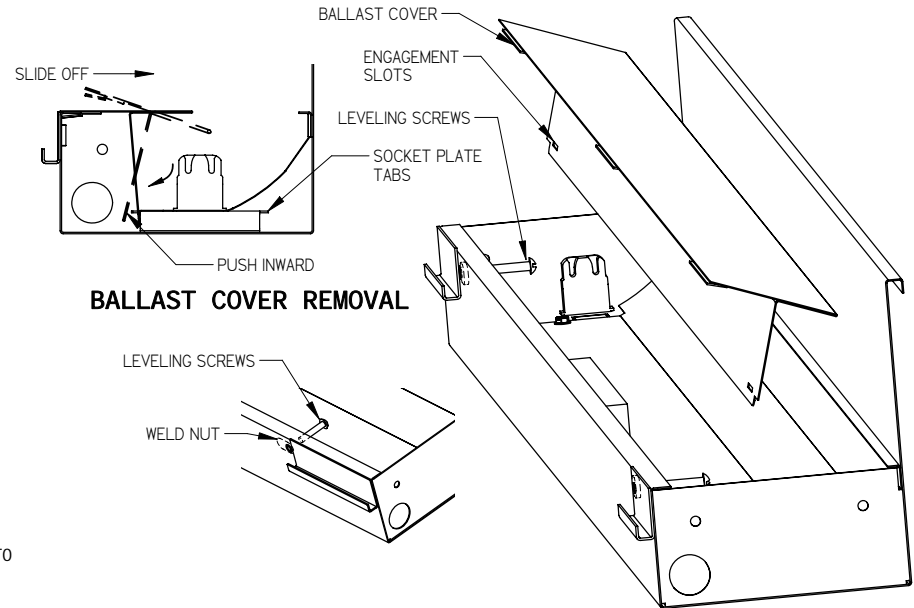
- A. WALL SURFACE SHOULD BE FINISHED A MINIMUM OF 7" ABOVE CEILING AND CEILING GRID OR DRYWALL INSTALLED.
- B. SUPPORT RAILS ARE SHIPPED SEPARATELY AND INSTALLED BEFORE FIXTURES ARE MOUNTED, REFER TO INSTRUCTION SHEET 510573.
- C. DRYWALL CEILING SPLINE RUNNERS ARE SHIPPED SEPARATELY AND ARE INSTALLED BEFORE FIXTURES; SEE STEP 4.
- D. DIFFUSERS AND SYSTEM CONNECTORS ARE SHIPPED SEPARATELY AND ARE INSTALLED AFTER FIXTURES ARE HUNG.

INSTRUCTIONS:

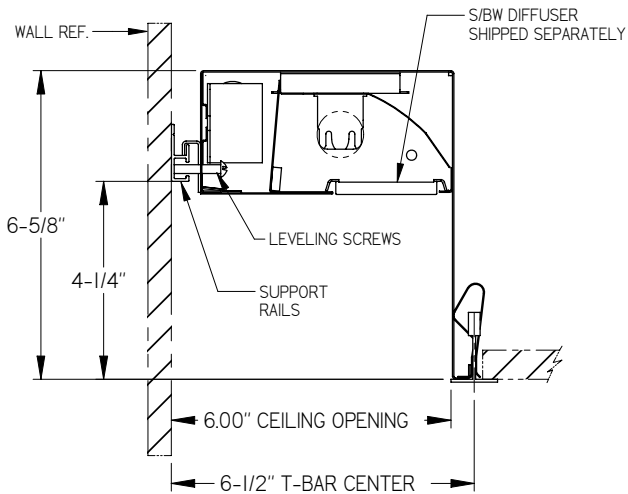
IMPORTANT: FIXTURE ELEVATION IS BASED ON CEILING TYPE BEING USED. SEE END VIEWS BELOW.

1. MOUNT SUPPORT RAILS TO WALL SURFACE PER INSTRUCTION SHEET 510573.
2. REMOVE BALLAST COVERS FROM FIXTURE BY DISENGAGING SLOTS IN COVER FROM TABS IN SOCKET PLATES AS SHOWN. THREAD #10-24 x 1" LONG LEVELING SCREWS (FOUND IN POLYBAG) INTO EACH WELDNUT APPROXIMATELY 1/4". TWO LEVELING SCREWS ARE REQUIRED FOR EACH FIXTURE.
3. REMOVE 7/8" KO IN TOP OF HOUSING IF ELECTRICAL FEED IS BEING BROUGHT IN THRU TOP OF FIXTURE OTHERWISE FEED MAY BE BROUGHT INTO 7/8" HOLES IN END HEADERS. SEE VIEW ON PAGE 3.
4. **FOR DRYWALL/PLASTER CEILINGS ONLY:** PEEL OFF ADHESIVE BACKING ON BOTTOM OF SPLINE RUNNERS AND ATTACH TO TOP SURFACE OF DRYWALL FLUSH WITH FINISHED EDGE AS SHOWN BELOW AND ON PAGE 2. SPLINE RUNNERS MUST RUN CONTINUOUSLY ALONG OPENING AND ARE FIELD CUT TO SUIT.

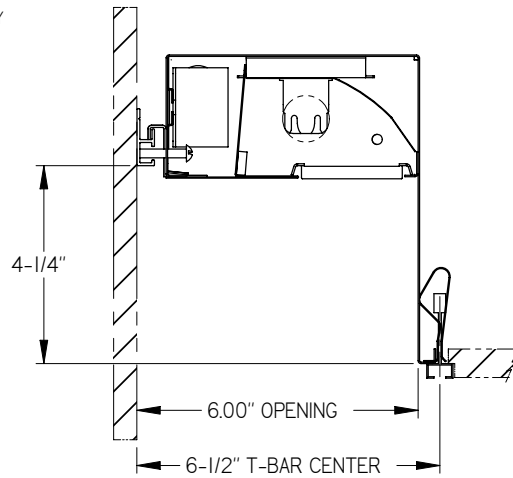
2



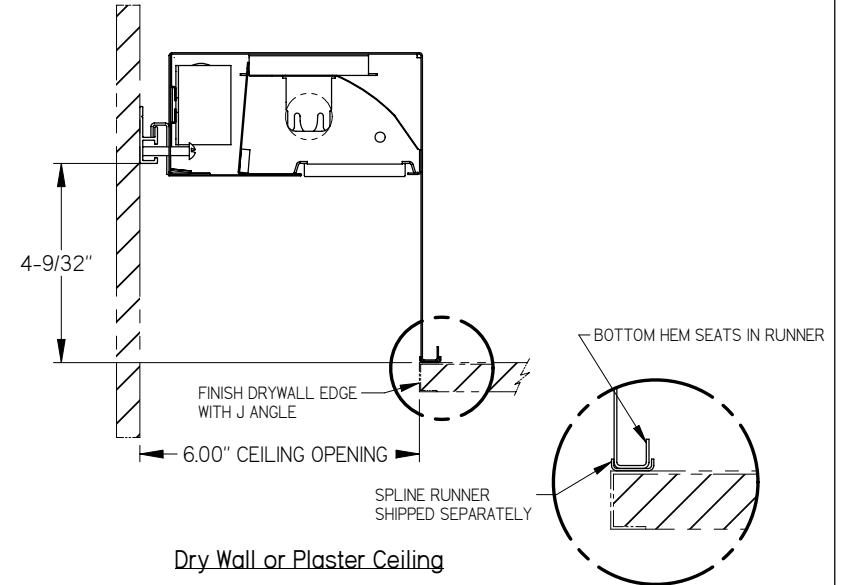
BALLAST COVER REMOVAL



15/16" Exposed T-Bar Ceiling



9/16" SCREW SLOT T-Bar Ceiling



Dry Wall or Plaster Ceiling

INSTALLATION
INSTRUCTIONS

FIXTURE TYPE _____

**WALLSLOT 8400
S/POSITION FIXTURE**

P/C 510575-0000

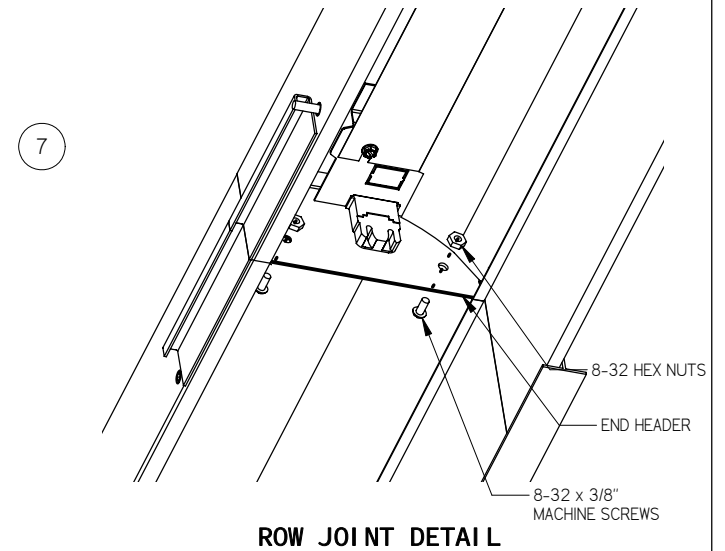
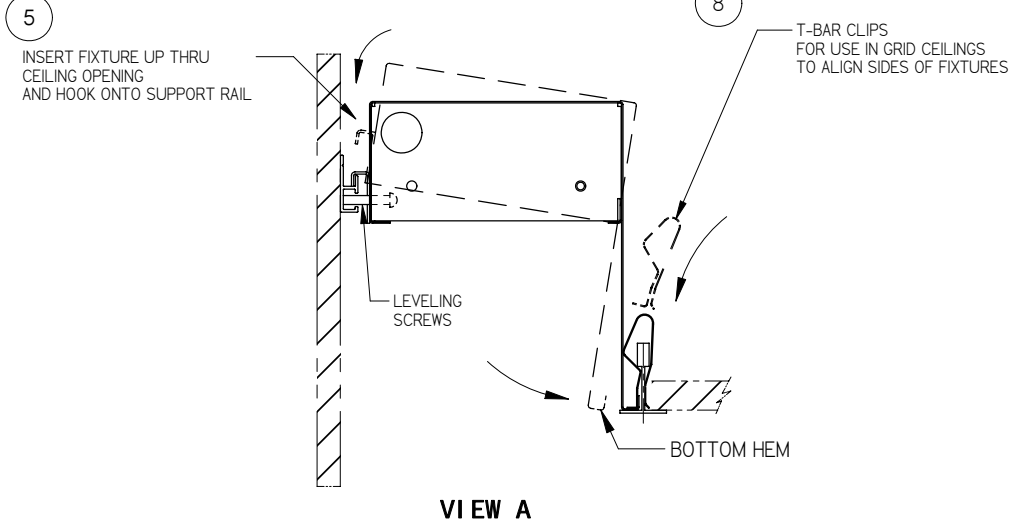
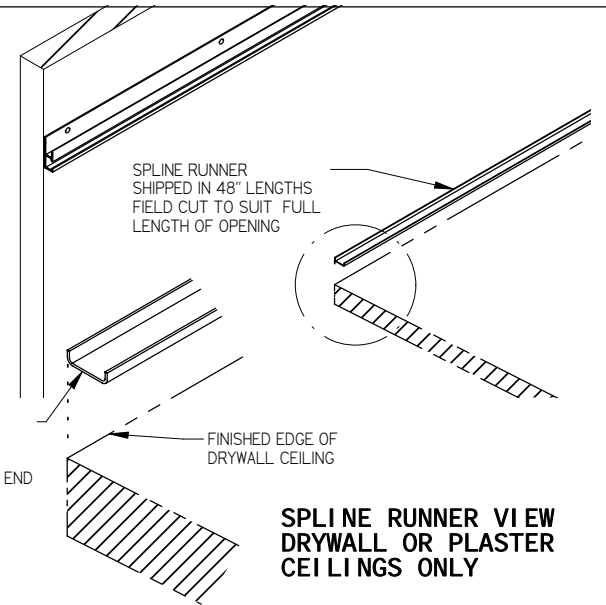
PG. 2 OF 3

DO NOT MODIFY OR ALTER THIS PRODUCT IN ANY WAY, OR INSTALL IN ANY FASHION WHICH IS CONTRARY TO THE INSTRUCTIONS CONTAINED HEREIN.
IF YOU HAVE ANY QUESTIONS REGARDING THIS PRODUCT OR THE INSTALLATION OF IT, PLEASE CALL LITECONTROL ENGINEERING AT 781-294-0100.

INSTRUCTIONS CONTINUED:

5. LIFT FIXTURES UP INTO CEILING OPENING AND HOOK ONTO SUPPORT RAIL, TURN LEVELING SCREWS UNTIL FIXTURE IS LEVEL. SEE VIEW A. REPEAT THIS STEP FOR EACH FIXTURE IN ROW.
GUY WIRES MAY BE ADDED THRU HOLES IN TOP OF FIXTURE TO OVERHEAD STRUCTURE FOR ADDITIONAL SUPPORT AS SHOWN ON PAGE 3.
6. CENTRALLY LOCATE ROW OF FIXTURES WITHIN THE SPACE. THE SPACE BETWEEN THE ENDS OF THE FIXTURES AND OPPOSITE WALLS WILL BE FILLED IN WITH THE SYSTEM CONNECTORS. SEE PAGE 3.
7. MAKE ELECTRICAL CONNECTIONS IN THE FIXTURE WIREWAY AND ROW MOUNT EACH FIXTURE TOGETHER WITH (2) #8-32 x 3/8" LONG MACHINE SCREWS AND NUTS (SHIPPED IN POLYBAG). SEE ROW JOINT DETAIL.
8. **FOR GRID CEILINGS ONLY:** SNAP T-BAR CLIPS (SHIPPED SEPARATELY) OVER T-BARS UNTIL THEY ENGAGE BOTTOM HEM OF FIXTURE.
TWO CLIPS ARE REQUIRED FOR EACH 24", 36" AND 48" LENGTH FIXTURES AND THREE CLIPS FOR 72" & 96" FIXTURES.
9. INSTALL ALL SYSTEM CONNECTORS (SHIPPED SEPARATELY) TO CLOSE OFF ROW PER INSTRUCTION SHEET 530574.
10. AFTER SYSTEM CONNECTOR INSTALLATION HAS BEEN COMPLETED, REPLACE ALL BALLAST COVERS AND INSTALL LAMPS BY INSERTING LAMP PINS INTO SOCKETS UNTIL THEY SNAP IN PLACE.
11. FIXTURES WITH A BW BAFFLE OR SGL LENS DIFFUSER ARE INSTALLED BY LIFTING AND SHIFTING INTO LAMP OPENING AND SEATING ON HEMS AS SHOWN ON PAGE 3.

PEEL OFF TAPE BACKING FROM BOTTOM OF SPLINE RUNNER AND SEAT FLUSH WITH EDGE OF DRYWALL.
ALIGN EACH SECTION OF RUNNER END TO END AND SAWCUT OFF EXTRA LENGTH.



INSTALLATION
INSTRUCTIONS

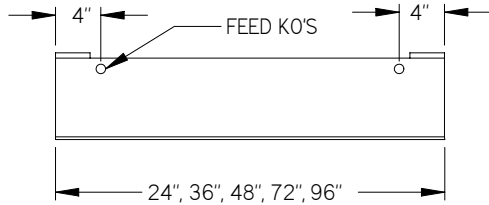
FIXTURE TYPE _____

**WALLSLOT 8400
S/POSITION FIXTURE**

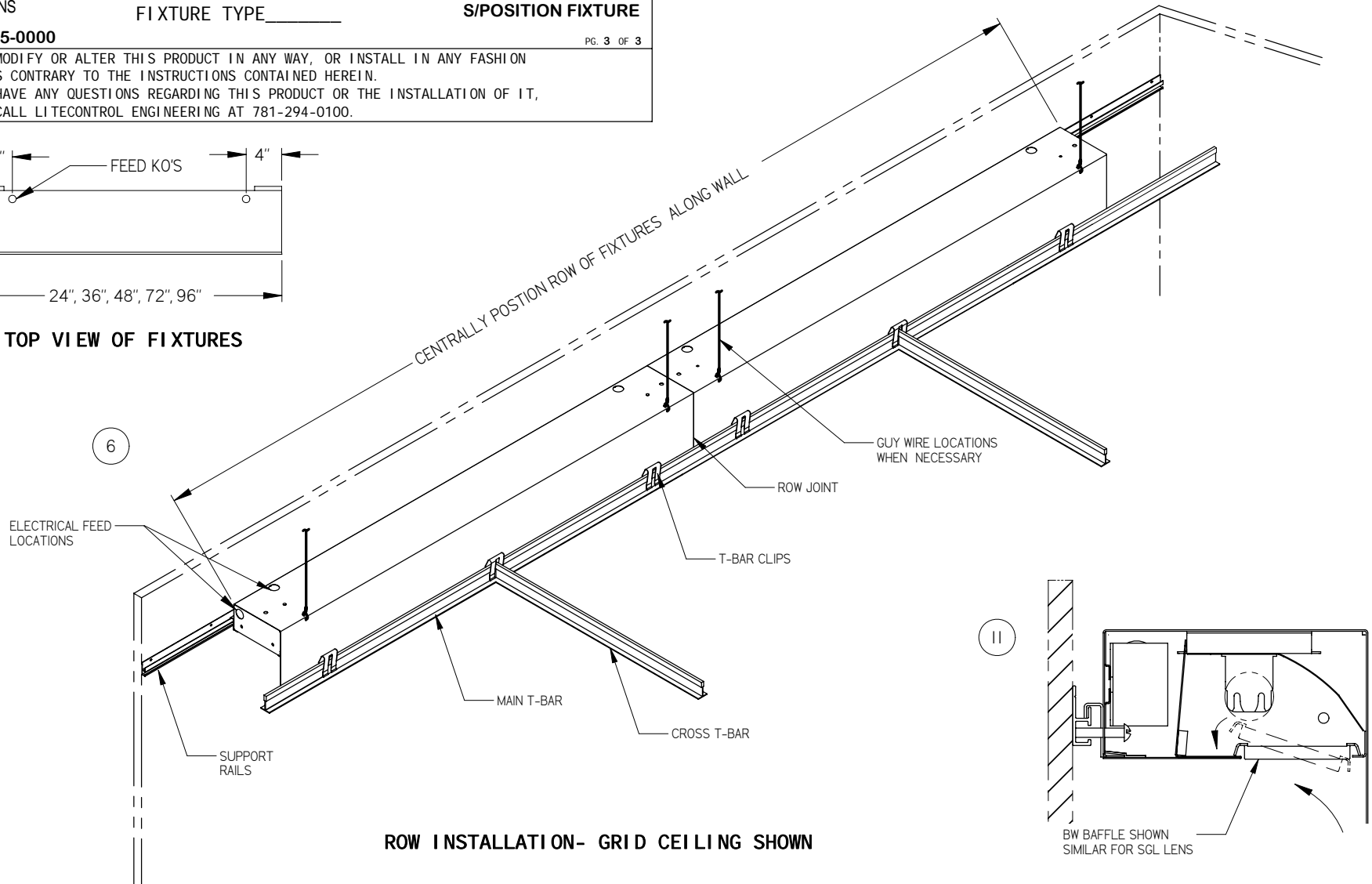
P/C 510575-0000

PG. 3 OF 3

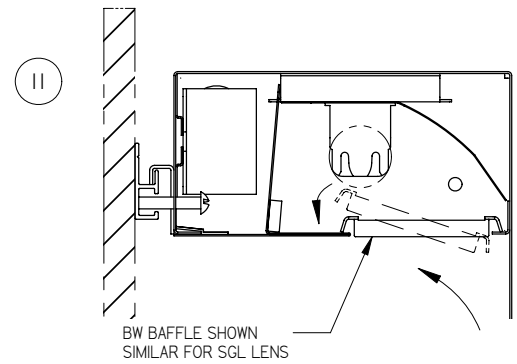
DO NOT MODIFY OR ALTER THIS PRODUCT IN ANY WAY, OR INSTALL IN ANY FASHION WHICH IS CONTRARY TO THE INSTRUCTIONS CONTAINED HEREIN.
IF YOU HAVE ANY QUESTIONS REGARDING THIS PRODUCT OR THE INSTALLATION OF IT, PLEASE CALL LITECONTROL ENGINEERING AT 781-294-0100.



TOP VIEW OF FIXTURES



ROW I INSTALLATION- GRID CEILING SHOWN



DIFFUSER INSTALLATION