

**INSTALLATION  
INSTRUCTIONS**

FIXTURE TYPE \_\_\_\_\_

**P-I-5400 SYSTEM  
CONNECTORS**

Pg. 1  
OF 1

PART  
NO. **510335-1000**

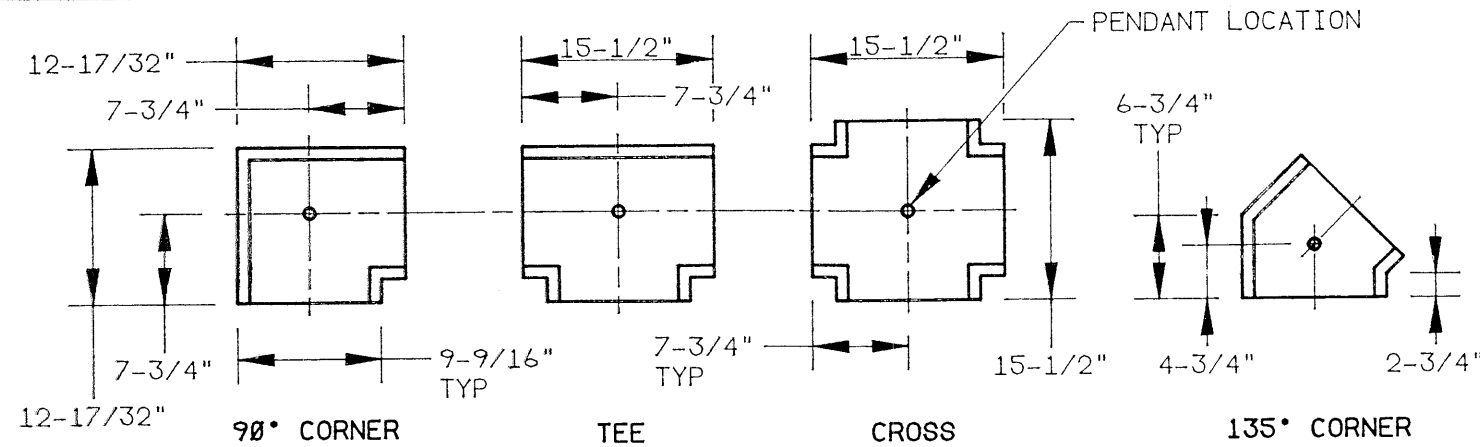
DO NOT MODIFY OR ALTER THIS PRODUCT IN ANY WAY, OR INSTALL IN ANY FASHION WHICH IS CONTRARY TO THE INSTRUCTIONS CONTAINED HEREIN.  
IF YOU HAVE ANY QUESTIONS REGARDING THIS PRODUCT OR THE INSTALLATION OF IT, PLEASE CALL LITECONTROL ENGINEERING AT 781-294-0100

GENERAL NOTES:

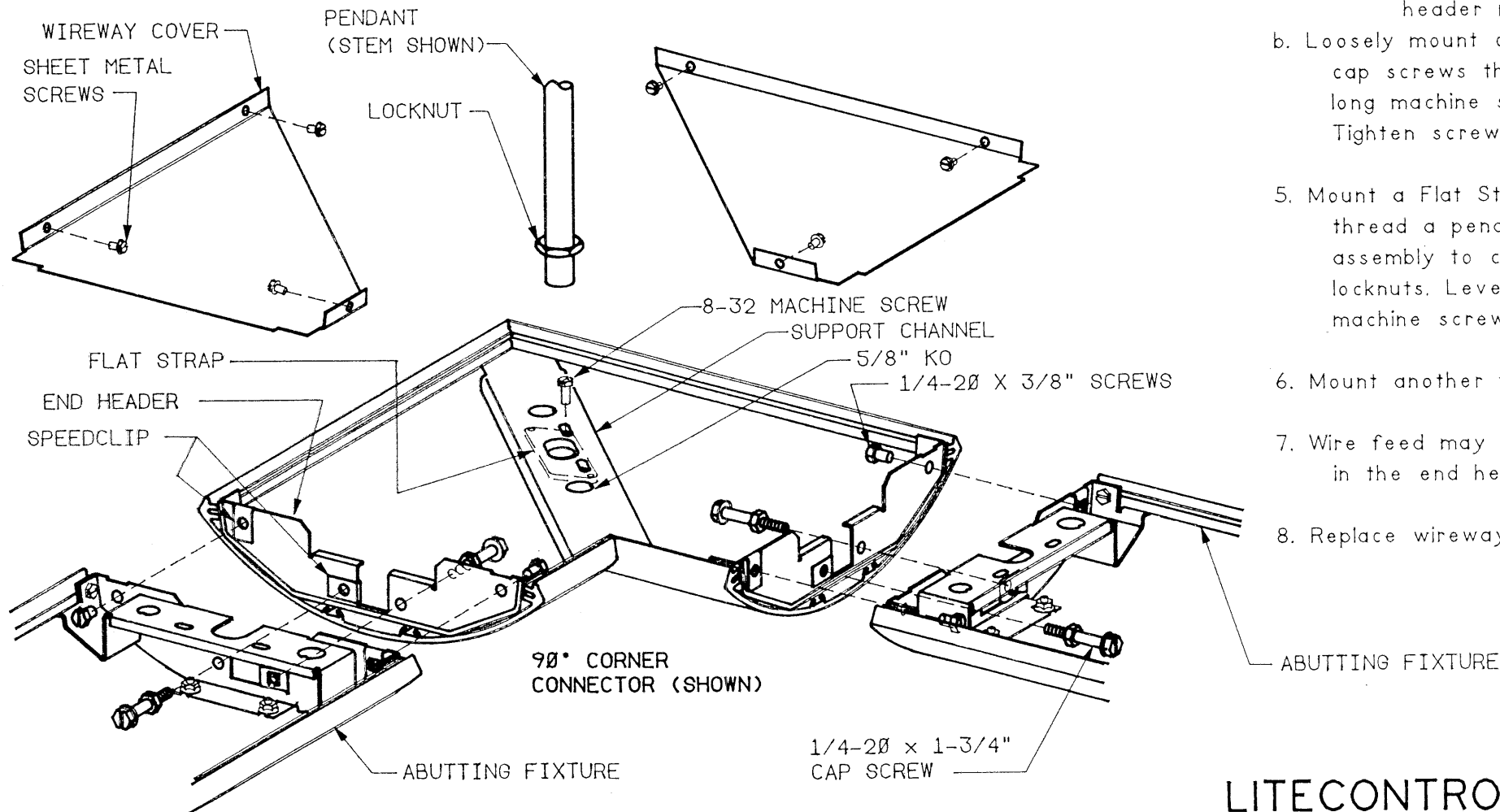
- 1) This instruction sheet is used with fixture instruction sheet 510331.
- 2) Although the 90° corner is shown on this sheet, installation of all the system connectors is similar.
- 3) Litecontrol recommends that a system connector be assembled to an abutting fixture before attaching to pendants.

Instructions:

1. Lift out wireway covers by removing sheet metal screws.
2. Mount a flat strap underneath the support channel with (1) 8-32 x 3/8" long hex head machine screw.  
Remove a 5/8" KO in channel if wire feed is being brought into connector.
3. Locate pendants in ceiling using the plan views on this sheet and the fixture instruction sheet 510331.
- 4a. Position connector up against abutting fixture end header making sure that each pair of speedclips are opposite from each other. See view below.  
NOTE: Due to the location of a system connector within a pattern, it may be necessary to move a pair of speedclips from one side of an end header to the other. Speedclips can be popped in or out of end header mounting holes.
- b. Loosely mount connector to abutting fixture with (2) 1/4-20 x 1-3/4" long cap screws thru the lower set of end header holes and (2) 1/4-20 x 3/8" long machine screws thru the upper set of holes into speedclips. Tighten screws making sure that joint seam is flush all around.
5. Mount a Flat Strap to the opposite end of the abutting fixture and thread a pendant into connector and fixture flat straps. Mount this assembly to ceiling. Level fixture up or down by loosening pendant locknuts. Level fixture/connector horizontally by loosening flat strap machine screws and sliding straps from side to side.
6. Mount another fixture to each leg(s) of connector per steps 4 & 5 above.
7. Wire feed may be brought into abutting fixtures thru the rectangular holes in the end headers.
8. Replace wireway covers and clean exterior surfaces with a window cleaner.



PLAN VIEWS



**LITECONTROL**

100 HAWKS AVENUE - PO BOX 100 - HANSON MA 02341,