

**INSTALLATION INSTRUCTIONS**

FIXTURE TYPE \_\_\_\_\_

**P-I-5400  
FIXTURE ASSEMBLY**

PART NO. 510331-2000

PG. 1  
OF 2

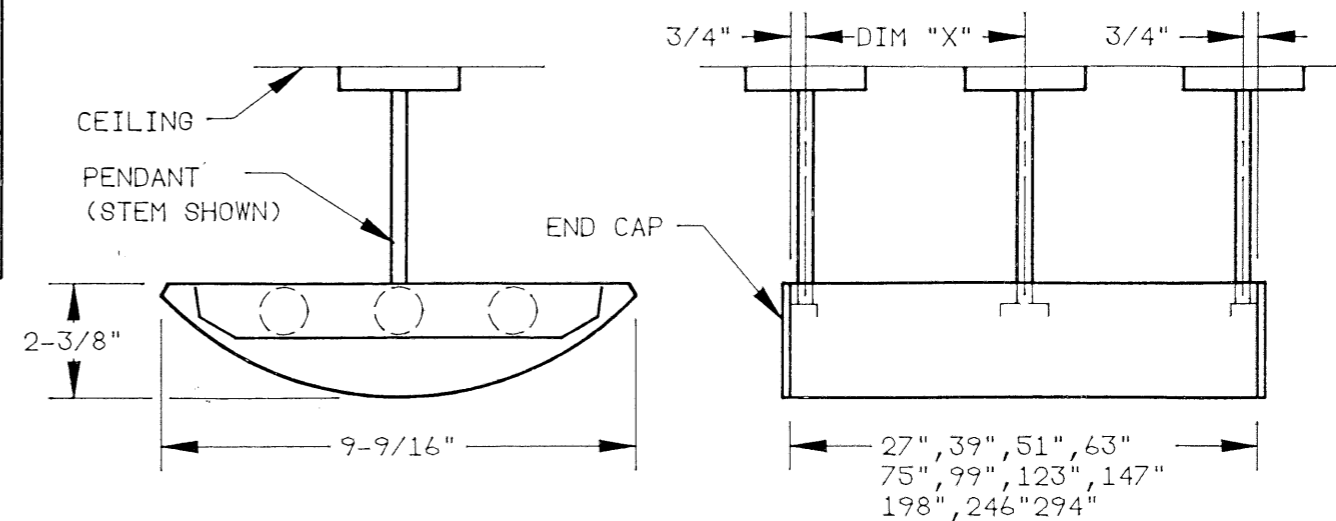
DO NOT MODIFY OR ALTER THIS PRODUCT IN ANY WAY, OR INSTALL IN ANY FASHION WHICH IS CONTRARY TO THE INSTRUCTIONS CONTAINED HEREIN. IF YOU HAVE ANY QUESTIONS REGARDING THIS PRODUCT OR THE INSTALLATION OF IT, PLEASE CALL LITECONTROL ENGINEERING AT 781-294-0100

General Notes: Read Instructions completely before starting.

- A. Reflector and lamp types available may vary within this fixture family but the general installation is the same for all P-I-5400 fixtures.
- B. Leaving foam wrapping on fixtures until mounting has been completed will help protect finish from damage.

**INSTRUCTIONS:**

1. Peel back foam wrapping from fixture and lift reflectors out by removing (2) sheet metal screws at one end and loosening the (2) screws at other end of reflector. See View "A".
2. Loosen one set of socket plate mounting screws at center pendant location for 198", 246" and 294" long fixtures only: See Dim "X" in Side View. Lift socket plate upward until it disengages from mounting screws and temporarily place socket plate in the fixture wireway. This will allow access to install flat strap. See View B on page 2.



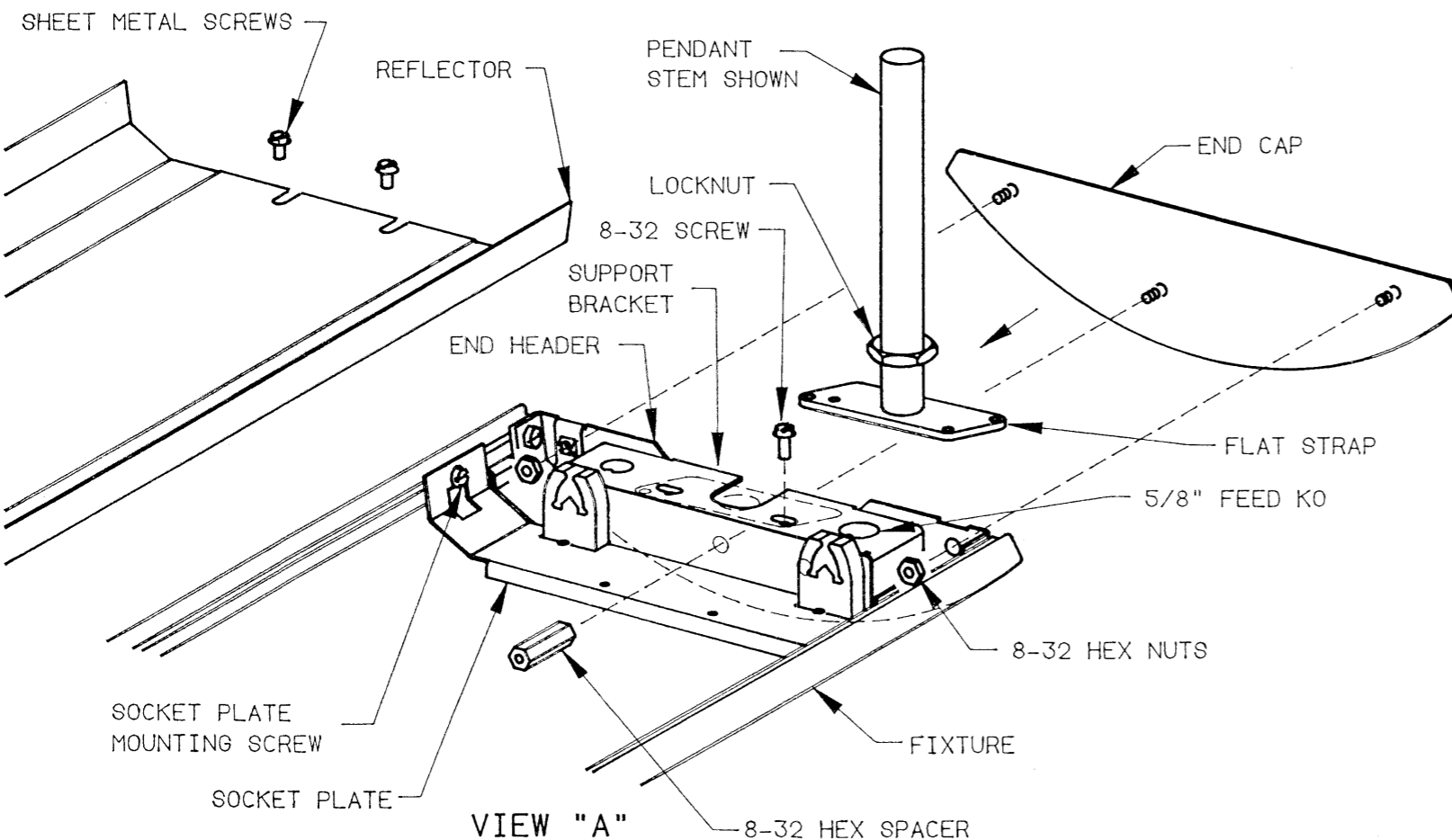
**CROSS SECTION**

(FOR 198" FIXT.) DIM. "X" = 98.25"  
 (FOR 246" FIXT.) DIM. "X" = 98.25"  
 (FOR 294" FIXT.) DIM "X" = 146.25"

**SIDE VIEW**

**3. MOUNTING INDIVIDUAL FIXTURES:**

- A) Locate pendants in ceiling, along a straight line as shown in Side View above. Refer to Pendant Instruction sheet shipped separately.
- B) Thread a locknut and a Flat Strap onto stem or aircraft cable stud and slide strap underneath support bracket (See View "A"). Secure strap with (1) #8-32 x 3/8" long machine screw. Repeat this step at other end of fixture.
- C) For 198", 246" and 294" length fixtures, an additional flat strap is required and mounted diagonally underneath the support brackets with (2) #8-32 screws: See View "B" on page 2. Thread a locknut onto stem or aircraft cable stud and thread pendant into this flat strap.
- D) Remove a 5/8" KO in support bracket for wire feed if aircraft cables are used to hang fixture. Feed may be run inside stems when they are used.
- E) Mount an End Cap (shipped separately) to each end of fixture by inserting end cap studs thru holes in end headers. Secure top studs with (2) 8-32 nuts and lower stud with 8-32 Hex Spacer. Make sure end caps are flush with ends of fixture.
- F) Lift fixture and mount pendants to ceiling. Level fixture up or down by threading stems or cable studs into Flat Straps. Level fixture horizontally by loosening the #8-32 screws and slide flat straps from side to side while lifting up end of fixture. Tighten locknuts and screws after fixture is level.
- G) GO TO STEP 6 on page 2.



**VIEW "A"**

**LITECONTROL**

188 HAWKS AVENUE - PO BOX 188 - HANSON MA 02341,

**INSTALLATION INSTRUCTIONS**

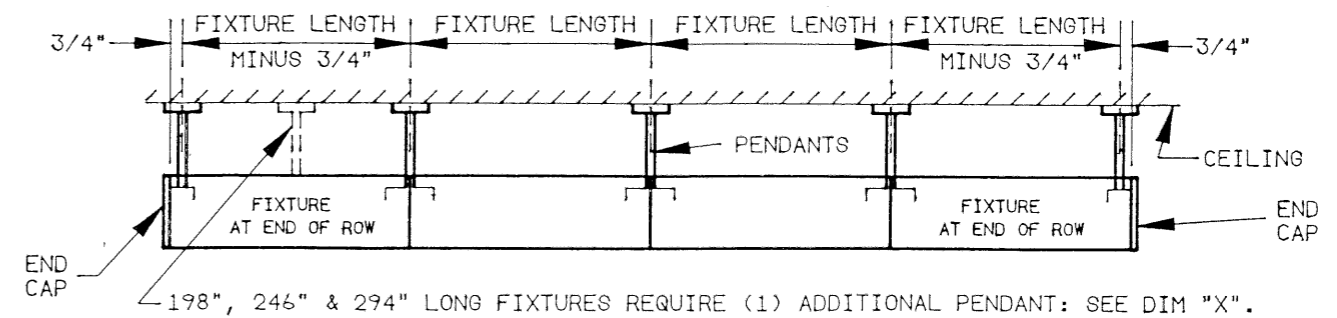
FIXTURE TYPE \_\_\_\_\_

**P-I-5400  
FIXTURE ASSEMBLY**

PART NO. 510331-2000

Pg. 2  
OF 2

DO NOT MODIFY OR ALTER THIS PRODUCT IN ANY WAY, OR INSTALL IN ANY FASHION WHICH IS CONTRARY TO THE INSTRUCTIONS CONTAINED HEREIN. IF YOU HAVE ANY QUESTIONS REGARDING THIS PRODUCT OR THE INSTALLATION OF IT, PLEASE CALL LITECONTROL ENGINEERING AT 781-294-0100



**SIDE VIEW-ROW MOUNTED FIXTURES**

INSTRUCTIONS cont:

4. MOUNTING ROWS OF FIXTURES:

- A) Locate pendants in ceiling, along a straight line as shown in Side View above. Refer to Pendant Instruction sheet shipped separately.
  - B) Starting with the fixture at one end of row, attach a Locknut, Flat Strap and a pendant underneath the Support Bracket per step 3B. Mount an End Cap to both end of row fixtures.
  - C) Remove a 5/8" KO in support bracket for wire feed if aircraft cables are being used to hang fixtures. Feed may be run inside stems when they are used.
  - D) If this fixture is 198", 246" or 294" long, attach the Flat strap diagonally underneath both support brackets at Dim. "X" location with (2) #8-32 x 3/8" long machine screws. See View "B"
  - E) At opposite end of this fixture, loosely mount a Flat Strap underneath the support bracket with (1) #8-32 x 3/8" long machine screw. (See View "C") Thread a Locknut onto pendant and thread pendant into flat strap. NOTE: Position Flat Strap so that it projects out from end of fixture.
  - F) Lift fixture up and mount pendants to ceiling.
  - G) At the far end of the 2nd fixture in row, mount a Flat Strap, locknut and pendant to its support bracket per step 4E above. Lift open end of this fixture onto the Flat strap of 1st fixture and attach pendant end to ceiling. Grasp pendant at row joint and rotate Flat Strap until diagonal mounting hole aligns underneath the Support Bracket slot of 2nd fixture. Secure with (1) #8-32 x 3/8" long machine screw.
  - H) Remove 1/4-20 screws from polybag kit shipped with fixture. Loosely bolt both fixtures together thru the holes in end headers into the speed clips: (1) 1/4-20 x 5" long screw is used in one of the lower holes and (2) 1/4-20 x 3/8" long machine screws are used in the upper set of holes.
  - J) Level fixtures up or down by threading stems or cable studs into flat straps. Level fixtures horizontally by sliding flat straps from side to side while lifting up end of fixture.
  - K) Repeat steps G and H for each additional fixture in row. After row is hung and leveled, tighten all row mounting bolts and flat strap screws.
5. Wire feed may be brought into abutting fixtures thru wireway opening in End Headers. Make wiring connections.
6. Raise and secure all pendant canopies. Replace socket plates and reflectors.
7. Clean exterior surfaces of fixture with a window cleaner and install lamps (by others).

