

INSTALLATION INSTRUCTIONS

FIXTURE TYPE _____

P-I-9500
FIXTURE ASSEMBLY

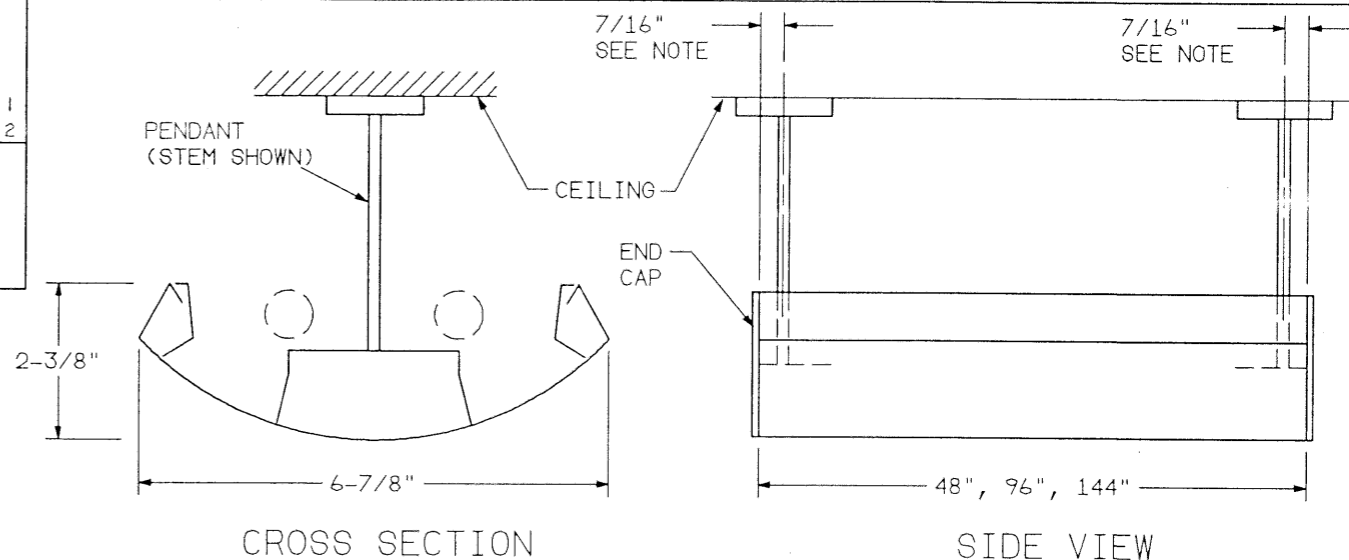
PART No. 510409-1000

Pg. 1
OF 2

DO NOT MODIFY OR ALTER THIS PRODUCT IN ANY WAY, OR INSTALL IN ANY FASHION WHICH IS CONTRARY TO THE INSTRUCTIONS CONTAINED HEREIN. IF YOU HAVE ANY QUESTIONS REGARDING THIS PRODUCT OR THE INSTALLATION OF IT, PLEASE CALL LITECONTROL ENGINEERING AT 781-294-0100.

General Notes: Read Instructions completely before starting.

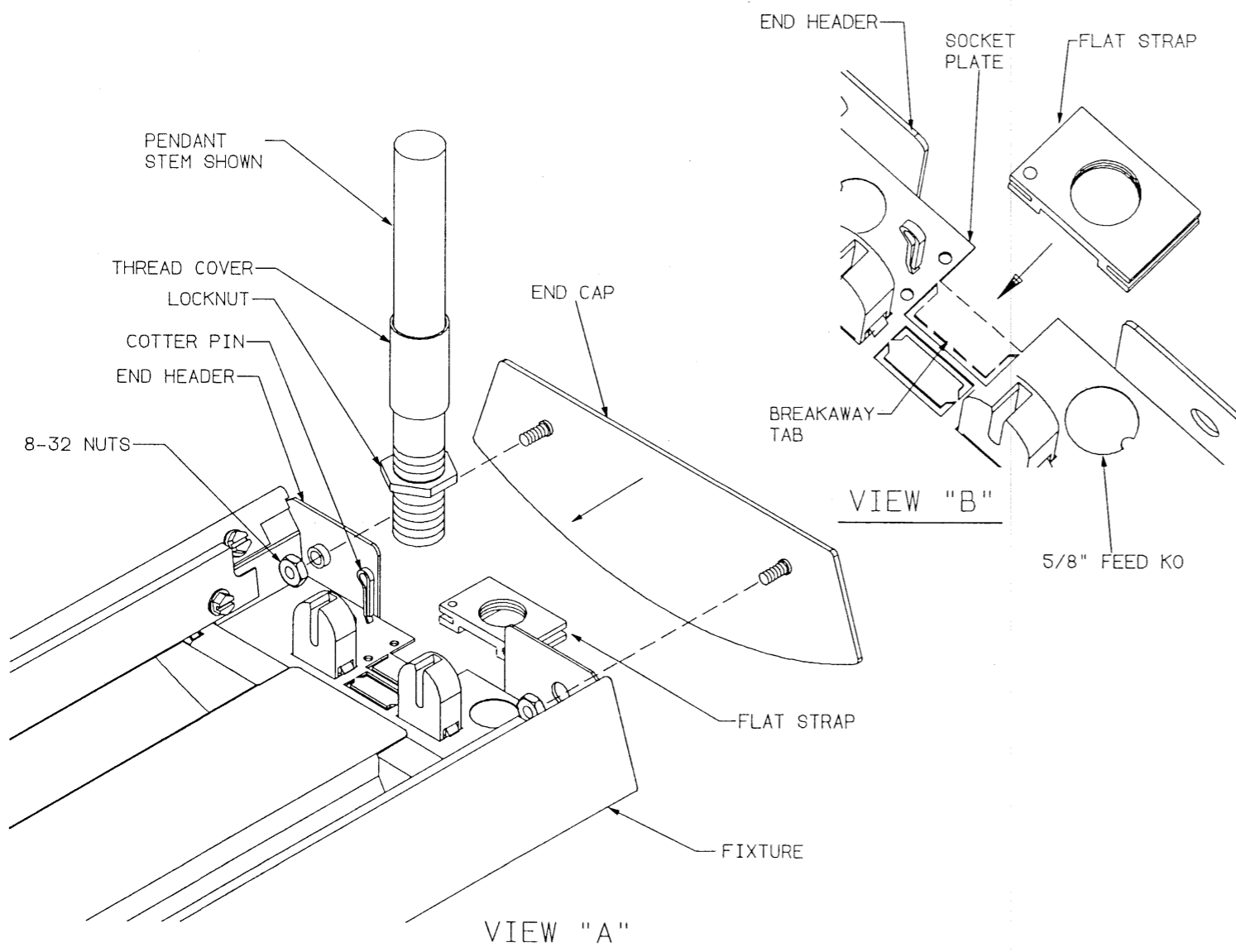
- Lamp quantity may vary within this fixture family but the general installation is the same for all 9500 fixtures.
- Leaving foam wrapping on fixtures until mounting has been completed will help protect finish from damage.
- Fixtures are factory supplied with branch circuit wiring. Refer to supplemental instruction sheet for making connections.



NOTE: For Stem locations, use dimensions shown above. For Aircraft cable locations, we recommend that hanging points be at 48", 96" or 144" increments. Although mounting point at fixture will be 7/16" in from both ends, this offset should not affect the function and appearance of installation.

INSTRUCTIONS:

- Peel back foam wrapping material from both ends of fixture.
 - MOUNTING INDIVIDUAL FIXTURES:
 - Locate pendants in ceiling, along a straight line as shown in Side View above. Refer to Pendant Instruction sheet shipped separately.
 - Carefully bend and remove breakaway tabs from each Socket plate at ends of fixture. See View "B". Slide grooves in Flat Strap onto ends of Socket plate at both ends of fixture as shown in Views "A" and "B". Insert cotter pin thru holes in each flat strap and Socket plate.
 - If aircraft cables are used to hang fixture, remove a 5/8" KO in socket plate at one end of fixture to bring in wire feed cord. Feed cord may be run inside stems when they are used.
 - Slide a Thread Cover onto stems and thread a locknut onto stem or aircraft cable stud. Thread pendants into Flat Strap.
 - Lift fixture and mount pendants to ceiling. Level fixture up or down by threading stems or cable studs into Flat Straps. Tighten locknuts after fixture is level. For stems only, slide Thread Covers down and rest on locknuts.
 - Run electrical feed cord (shipped separately) thru stem or into 5/8" KO and out thru cutout in end header. Make connections with branch circuit wires and then push wiring back into fixture. At opposite end of fixture, cap unused wires and push wiring back into fixture.
 - Mount an End Cap (shipped separately) to each end of fixture by inserting studs thru holes in end header and securing with (2) 8-32 hex nuts. Make sure end caps are flush with ends of fixture before tightening nuts.
- GO TO STEP 8 on page 2.



LITECONTROL

100 HAWKS AVENUE - PO BOX 100 - HANSON MA 02341, (781-294-0100)

**INSTALLATION
INSTRUCTIONS**

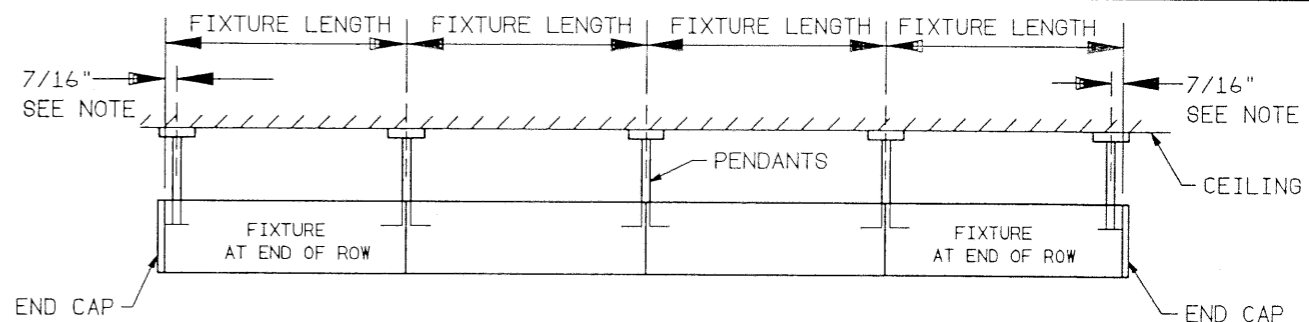
PART NO. 510409-1000

FIXTURE TYPE _____

P-I-9500
FIXTURE ASSEMBLY

PG. 2
OF 2

DO NOT MODIFY OR ALTER THIS PRODUCT IN ANY WAY, OR INSTALL IN ANY FASHION WHICH IS CONTRARY TO THE INSTRUCTIONS CONTAINED HEREIN.
IF YOU HAVE ANY QUESTIONS REGARDING THIS PRODUCT OR THE INSTALLATION OF IT, PLEASE CALL LITECONTROL ENGINEERING AT 781-294-0100.



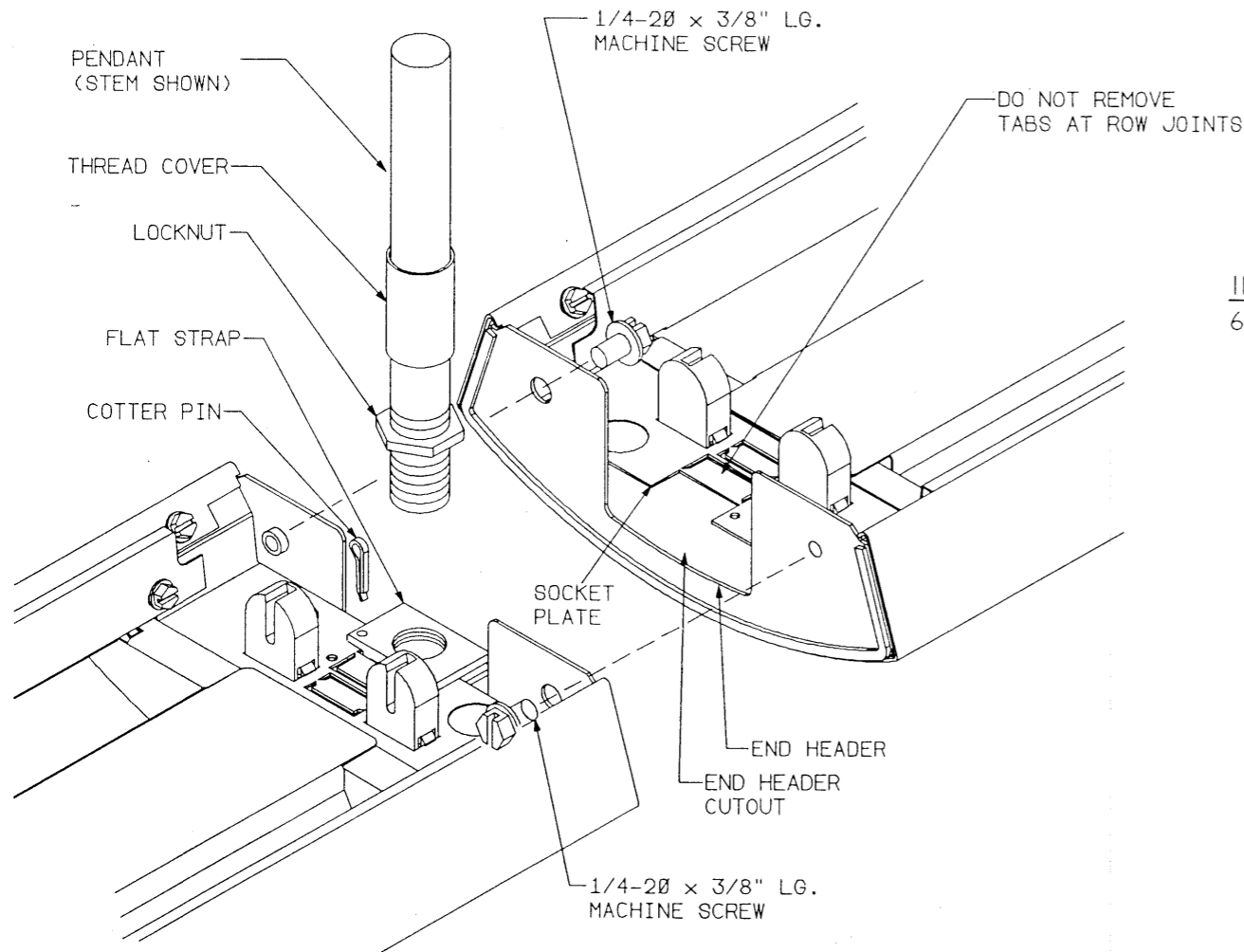
SIDE VIEW-ROW MOUNTED FIXTURES

NOTE: For Stem locations, use dimensions shown above.
For Aircraft cable locations, we recommend that hanging points be at 48", 96" or 144" increments to match fixture lengths in row. Although fixture mounting point at each end of row will be 7/16" in from ends, this offset should not affect the function and appearance of installation.

INSTRUCTIONS cont:

6. MOUNTING ROWS OF FIXTURES:

- A) Locate pendants in ceiling, along a straight line as shown in Side View above. Refer to Pendant Instruction sheet shipped separately.
 - B) Starting with the fixture at one end of row, Carefully bend and remove breakaway tab from socket plate at the location of the first or last pendant in row. See View "B" DO NOT REMOVE TABS AT ROW JOINT ENDS OF FIXTURES. Remove a 5/8" KO in socket plate per step 2C.
 - C) Slide a flat strap onto socket plate at first pendant location and secure with cotter pin. At opposite end of this fixture, slide another flat strap on so that half of strap extends out end. Secure this strap in place with cotter pin by aligning hole in strap with hole nearest row joint in socket plate.
 - D) Slide on a Thread cover (for stems only) and attach locknut onto (2) pendants, thread pendants into flat straps.
 - E) Lift fixture up and mount pendants to ceiling. Level fixture.
 - F) At the far end of the 2nd fixture in row, attach another flat strap with cotter pin, thread cover, locknut and pendant to socket plate. Lift this fixture up and mount pendant end to ceiling while sliding open end onto flat strap at row joint. Refer to View "C". At row joint, make wiring connections between fixtures and push wiring back into cutout opening in end header.
 - G) Remove 1/4-20 screws from polybag kit shipped with fixture. Loosely bolt fixtures together thru the holes in end headers with (2) 1/4-20 x 3/8" long machine screws.
 - H) Level fixtures up or down by threading stems or cable studs into flat straps.
 - J) Repeat steps F thru H for each additional fixture in row. After row is hung, leveled and wired, tighten all 1/4-20 row mounting screws.
 - K) At feed end of row, make wiring connections per step 4 on page 1.
7. Mount one End Cap at each end of row per step 5 on page 1.
 8. Raise and secure all pendant canopies.
 9. Clean exterior surfaces of fixture with a window cleaner.
Install lamps (by others) by inserting pins into socket and then rotating lamp 90 degrees.



VIEW "C"-ROW JOINT ASSEMBLY