

INSTALLATION INSTRUCTIONS

PART NO. 510318-3000

FIXTURE TYPE _____

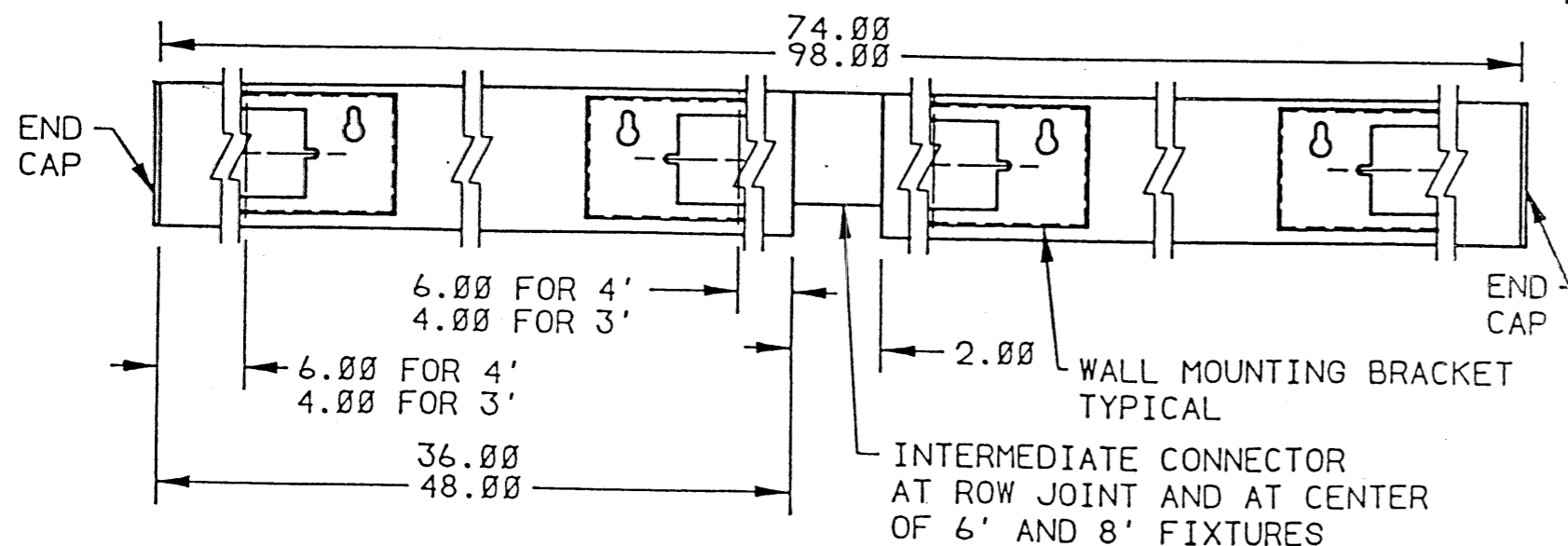
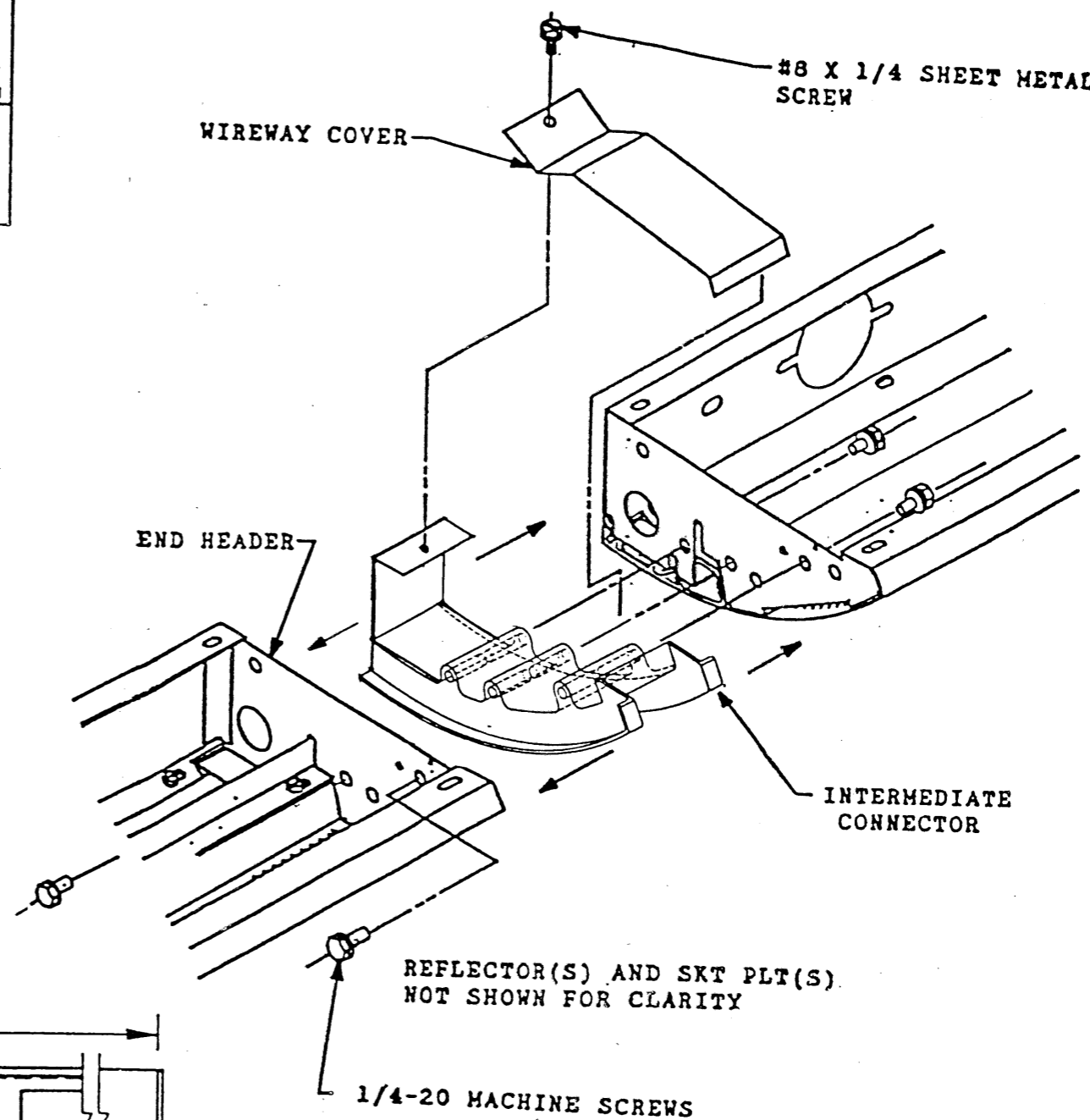
W-AI-5500
CLASSICA
JOINER CONNECTOR

Pg. 1
OF 1

DO NOT MODIFY OR ALTER THIS PRODUCT IN ANY WAY, OR INSTALL IN ANY FASHION WHICH IS CONTRARY TO THE INSTRUCTIONS CONTAINED HEREIN. IF YOU HAVE ANY QUESTIONS REGARDING THIS PRODUCT OR THE INSTALLATION OF IT, PLEASE CALL LITECONTROL ENGINEERING AT 781-294-0100

INSTRUCTIONS:

1. JOINER CONNECTOR IS ATTACHED TO ENDS OF FIXTURES USED IN ROWS PRIOR TO HANGING FIXTURE. WIREWAY COVER IS ATTACHED AT EACH FIXTURE ROW JOINT. ATTACH JOINER CONNECTOR BY ALIGNING THREADED HOLES WITH HOLES IN FIXTURE END HEADER AND SECURING WITH (4) 1/4-20 MACHINE SCREWS. ATTACH WIREWAY COVER TO INTERMEDIATE CONNECTOR USING (1) #8 X 1/4 LG SHEET METAL SCREW.
2. RADIAL EDGE OF JOINER CONNECTOR MUST BE FLUSH AND ALIGNED WITH RADIAL SHAPE OF FIXTURES AT ROW JOINT AFTER ASSEMBLY.



LITECONTROL

188 HAWKS AVENUE - PO BOX 188 - HANSON MA 02341,