

INSTALLATION INSTRUCTIONS

PART
NO. 510193-1000

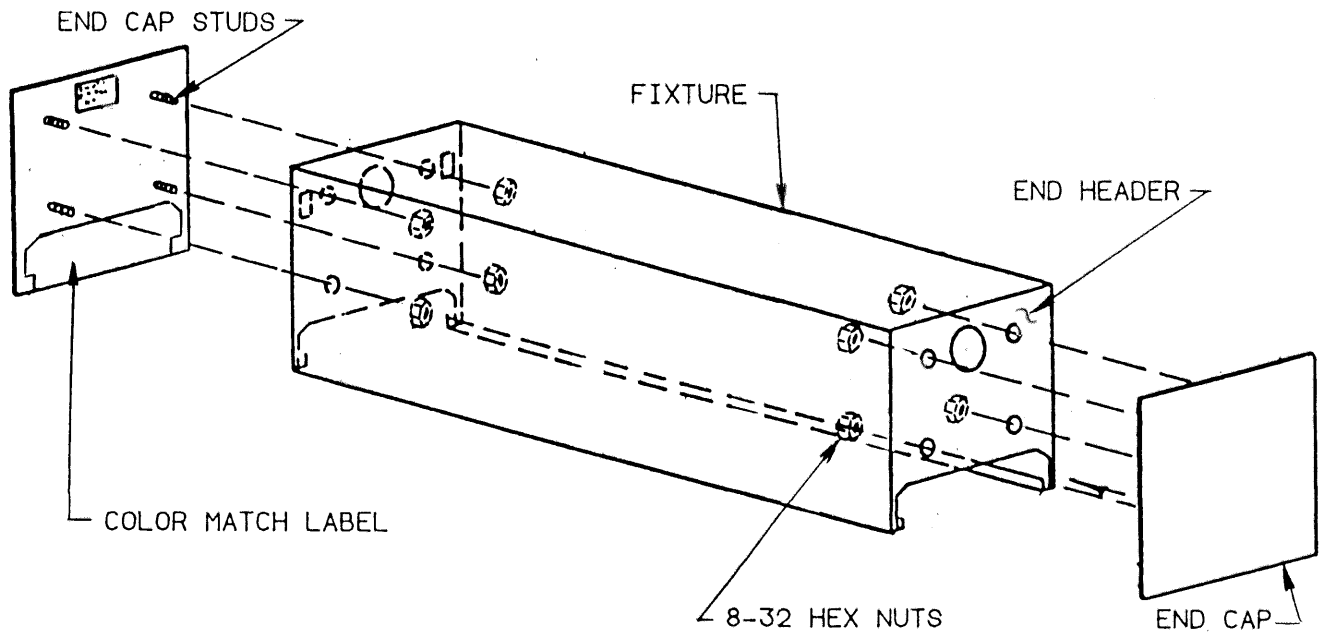
END CAP

P-D, P-S/D, S-D, W-D, W-ID-66N00

P-D, P-S/D, S-D-86N00

Pg. 1
OF 1

DO NOT MODIFY OR ALTER THIS PRODUCT IN ANY WAY, OR INSTALL IN ANY FASHION WHICH IS CONTRARY TO THE INSTRUCTIONS CONTAINED HEREIN.
IF YOU HAVE ANY QUESTIONS REGARDING THIS PRODUCT OR THE INSTALLATION OF IT, PLEASE CALL LITECONTROL ENGINEERING AT 617-294-0100.



GENERAL NOTE: REFLECTORS MUST BE REMOVED PRIOR TO INSTALLING END CAPS. REFER TO FIXTURE INSTRUCTION SHEET.

INSTRUCTIONS:

1. Attach end caps to both ends of an individual fixture or at each end of a row of fixtures by inserting end cap studs thru holes in end headers and securing with (4) 8-32 hex nuts. Make sure end caps are flush with fixture sides before tightening nuts.
2. End caps for fixtures with aluminum baffles (PBSS or PBSG) are shipped with adhesive backed color match labels.
After end caps are installed, peel off adhesive backing tape and place label on each end cap so that it sits flush and level with bottom of fixture.

LITECONTROL

100 HAWKS AVENUE - PO BOX 100 - HANSON MA 02341, (617-294-0100)