

**INSTALLATION
INSTRUCTIONS**

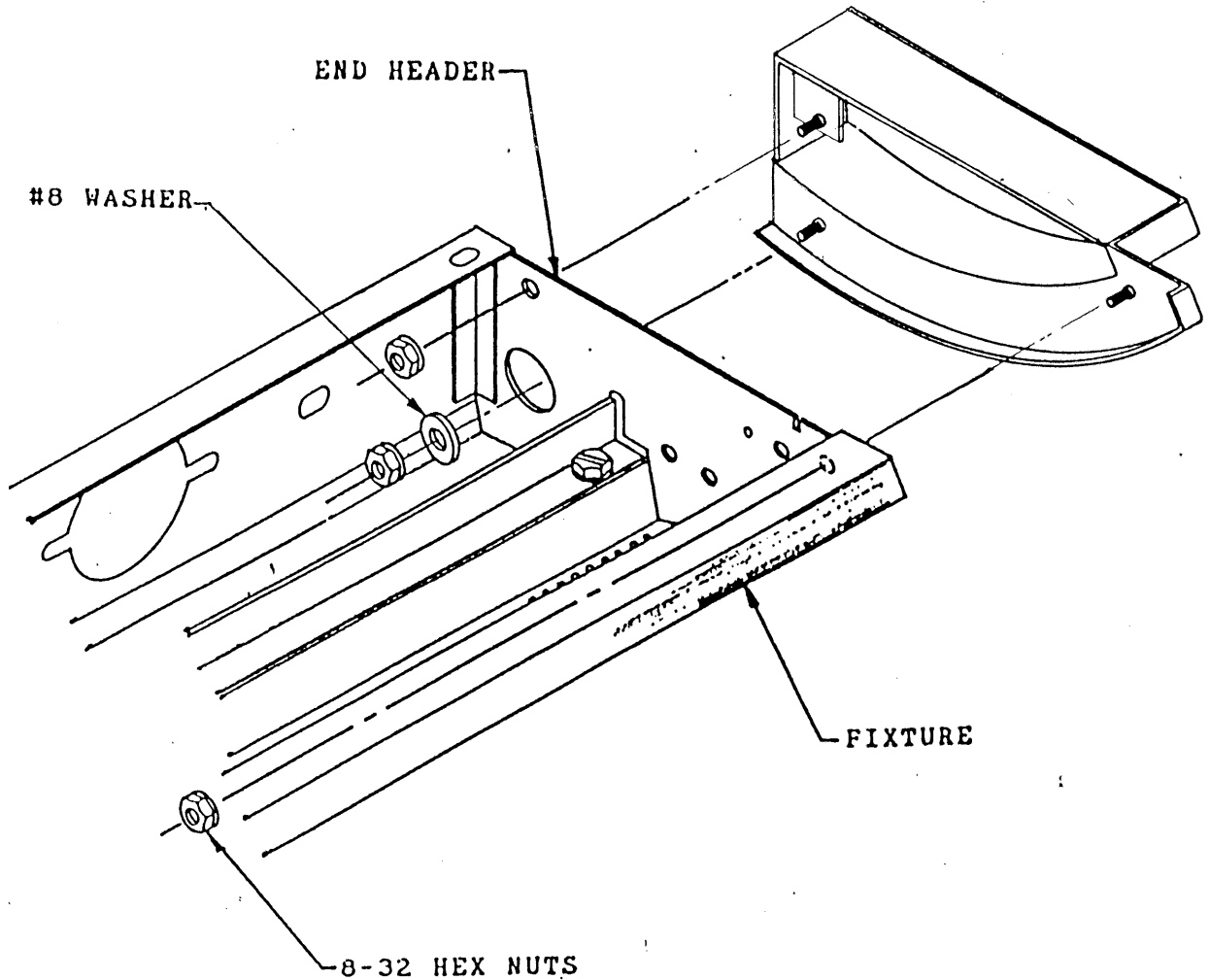
PART
NO. 510329-1000

FIXTURE TYPE _____

**W-AI-5500
SCULPTURED
END CAP**

Pg. 1
OF 1

DO NOT MODIFY OR ALTER THIS PRODUCT IN ANY WAY, OR INSTALL IN ANY FASHION WHICH IS CONTRARY TO THE INSTRUCTIONS CONTAINED HEREIN.
IF YOU HAVE ANY QUESTIONS REGARDING THIS PRODUCT OR THE INSTALLATION OF IT, PLEASE CALL LITECONTROL ENGINEERING AT 617-294-0100.



INSTRUCTIONS:

1. END CAPS ARE TO BE ATTACHED TO BOTH ENDS OF AN INDIVIDUAL FIXTURE OR AT EACH END OF A ROW OF FIXTURES. SECURE END CAP TO FIXTURE END HEADER WITH (3) 8-32 HEX NUTS AND #8 WASHER SUPPLIED FOR BOTTOM STUD LOCATION.
2. END CAPS MUST BE FLUSH AND ALIGNED WITH SHAPE OF FIXTURE AFTER ASSEMBLY.

LITECONTROL

100 HAWKS AVENUE - PO BOX 100 - HANSON MA 02341, (617-294-0100)