

INSTALLATION
INSTRUCTIONS

FIXTURE TYPE _____

P-ID-8200
FIXTURE

P/C 510457-0000

DATE: 9-1-04

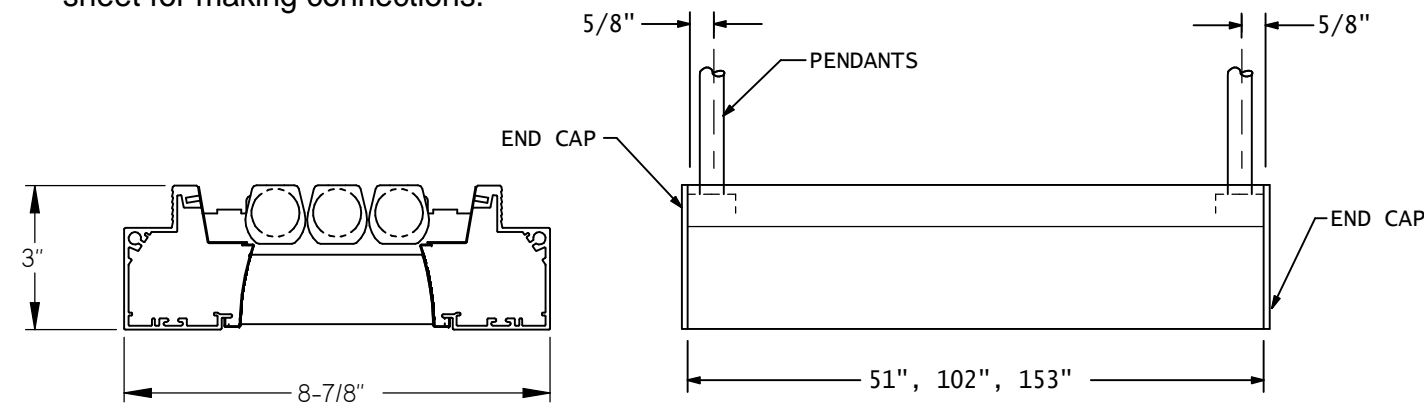
PG. 1 OF 2

DO NOT MODIFY OR ALTER THIS PRODUCT IN ANY WAY, OR INSTALL IN ANY FASHION WHICH IS CONTRARY TO THE INSTRUCTIONS CONTAINED HEREIN.

IF YOU HAVE ANY QUESTIONS REGARDING THIS PRODUCT OR THE INSTALLATION OF IT, PLEASE CALL LITECONTROL ENGINEERING AT 781-294-0100.

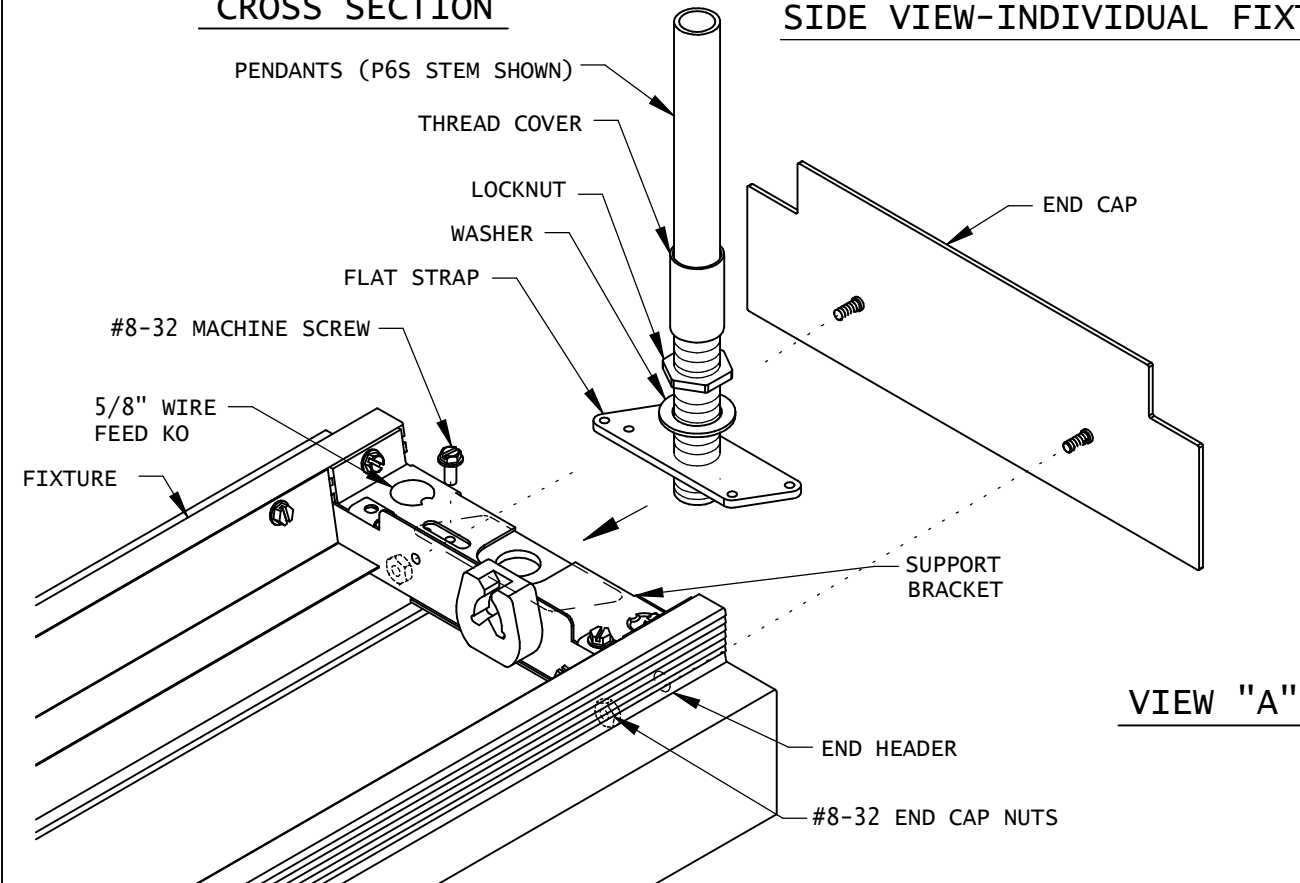
GENERAL NOTES: Read Instructions completely before starting.

- A) Leaving protective foam wrapping on fixtures until mounting has been completed will protect finish from damage.
- B) Fixtures are supplied with factory installed Branch Circuit wiring. Refer to supplemental instruction sheet for making connections.



CROSS SECTION

SIDE VIEW-INDIVIDUAL FIXTURES



VIEW "A"

INSTRUCTIONS:

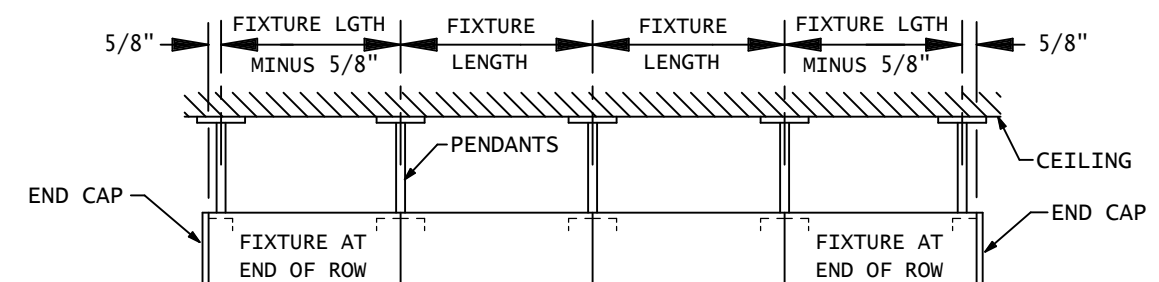
1. MOUNTING INDIVIDUAL FIXTURES: (P6S stems & Aircraft Cable pendants. are shipped separately)

- A) Locate pendants (stems or aircraft cables) along a straight line in ceiling per dimensions shown in Side View; (Refer to Pendant Instruction Sheet).
- B) Peel back foam wrapping from both ends of fixture. Remove a 5/8" KO in Support bracket for wire feed if aircraft cables are being used to hang fixtures. Feed may be run inside P6S stems if they are used.
- C) Slide a Thread Cover, Washer and thread a locknut and a Flat Strap as shown in View "A" onto stems or thread a Flat Strap onto cable stud when cables are used, and slide strap underneath Support Bracket. Loosely fasten flat strap under bracket with (1) #8-32 x 3/8" long machine screw. Repeat this step at opposite end of fixture. See View "A".
- D) Lift fixture up and mount pendants to ceiling. Bring wire feed into fixture and make connections to branch circuit wiring.
- E) Attach an End Cap (shipped separately) to both ends of fixture by inserting End Cap studs thru holes in End Headers. Secure with (2) 8-32 hex nuts making sure end caps are flush with bottom and sides of fixture.
- F) Level fixture up or down by threading stems or cable studs into Flat Straps. Level fixture horizontally by sliding flat straps from side to side. Tighten all locknuts and #8-32 machine screws after fixtures are level.

Go TO STEP 5 ON PAGE 2.

2. MOUNTING ROWS OF FIXTURES:

- A) Locate pendants (stems or aircraft cables) along a straight line in ceiling as shown in Side View below. Refer to pendant instruction sheet. Peel back foam wrapping from both ends of all fixtures in row.
- B) Starting with a fixture at one end of row, attach a Flat Strap, Thread Cover, Locknut, Washer and Pendant under Support Bracket per Step 1C above.



SIDE VIEW - PENDANT LOCATIONS FOR ROW MOUNTED FIXTURES

DO NOT MODIFY OR ALTER THIS PRODUCT IN ANY WAY, OR INSTALL IN ANY FASHION WHICH IS CONTRARY TO THE INSTRUCTIONS CONTAINED HEREIN. IF YOU HAVE ANY QUESTIONS REGARDING THIS PRODUCT OR THE INSTALLATION OF IT, PLEASE CALL LITECONTROL ENGINEERING AT 781-294-0100.

Instructions con't:

- 2C) Remove a 5/8" KO in support bracket for wire feed if aircraft cables are being used to hang fixtures. Feed may be run inside stems when they are used.
 - D) At opposite end of this fixture, loosely mount a Flat Strap underneath the Support bracket with (1) #8-32 x 3/8" long machine screw as shown in View "B".
Slide a Thread Cover, washer and locknut onto pendant and thread pendant into Flat Strap. Position Flat Strap so that it projects half way out the end of fixture.
 - E) Insert (2) dowel pins (found in polybag) into ends of housing so that half of pin extends out end of fixture. See View "C".
 - F) Lift fixture up and mount pendants to ceiling.
 - G) Attach a Flat Strap, Thread Cover, washer, locknut, dowel pins and pendant to one end of the 2nd fixture in this row per step D & E.
 - H) Slide the open end of this fixture into dowel pins and onto Flat strap of the first fixture and mount pendant end to ceiling. Grasp pendant and rotate Flat Strap until diagonal mounting holes align under Support Bracket slot of 2nd fixture. Secure with (1) #8-32 machine screw.
 - J) Loosely bolt both fixtures together at row joint with (2) 1/4-20 Machine Screws found in polybag.
Level fixtures up or down by threading stems or cable studs into Flat Straps:
Level fixtures horizontally by sliding Flat straps from side to side.
 - K) Repeat steps G, H and J for each additional fixture in row.
Level row and align seams at each joint before tightening all screws.
3. At each row joint, make wiring connections between fixtures and push wiring back into fixture wireway.
 4. Mount an End Cap at each end of row per step 1E.
 5. Remove all foam wrapping material from fixtures.
 6. **BAFFLE INSTALLATION:** (Baffles are shipped separately, refer to instruction sheet 510416 for installation).
 - A) Baffles are shipped in a protective plastic bag to keep them free from dirt during installation of fixtures and should be left on until installation.
 - B) Baffle is attached to (2) safety tethers and then swung up into fixture opening until spring clips on baffle rails snap into bottom of fixture.
 7. Raise and secure all pendant canopies.
 8. Install lamps (by others) and clean exterior surfaces of fixture(s) with a general window cleaner.

