

INSTALLATION INSTRUCTIONS

FIXTURE TYPE _____

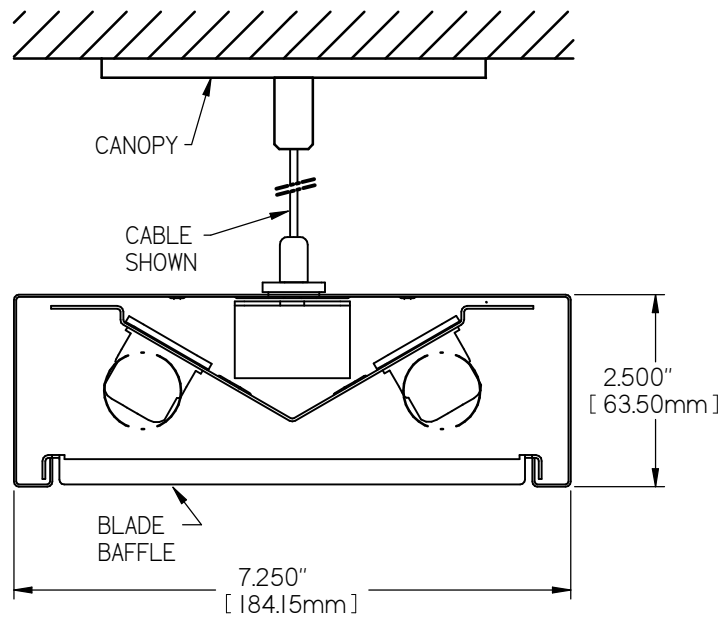
P-S/D-7200 FIXTURE

P/C **510489-2000**

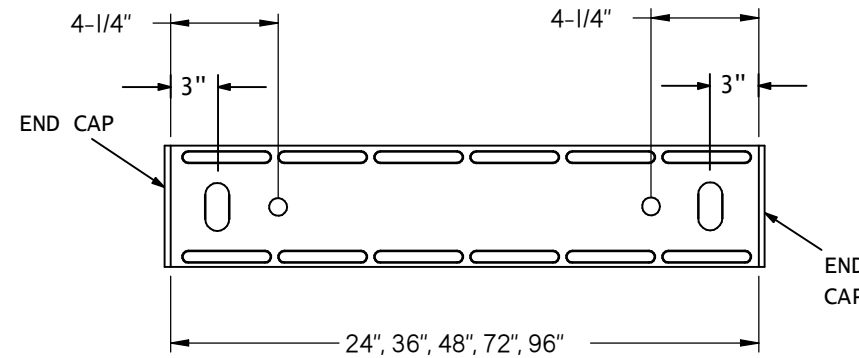
DATE: 9-27-06

PG. 1 OF 2

DO NOT MODIFY OR ALTER THIS PRODUCT IN ANY WAY, OR INSTALL IN ANY FASHION WHICH IS CONTRARY TO THE INSTRUCTIONS CONTAINED HEREIN. IF YOU HAVE ANY QUESTIONS REGARDING THIS PRODUCT OR THE INSTALLATION OF IT, PLEASE CALL LITECONTROL ENGINEERING AT 781-294-0100.

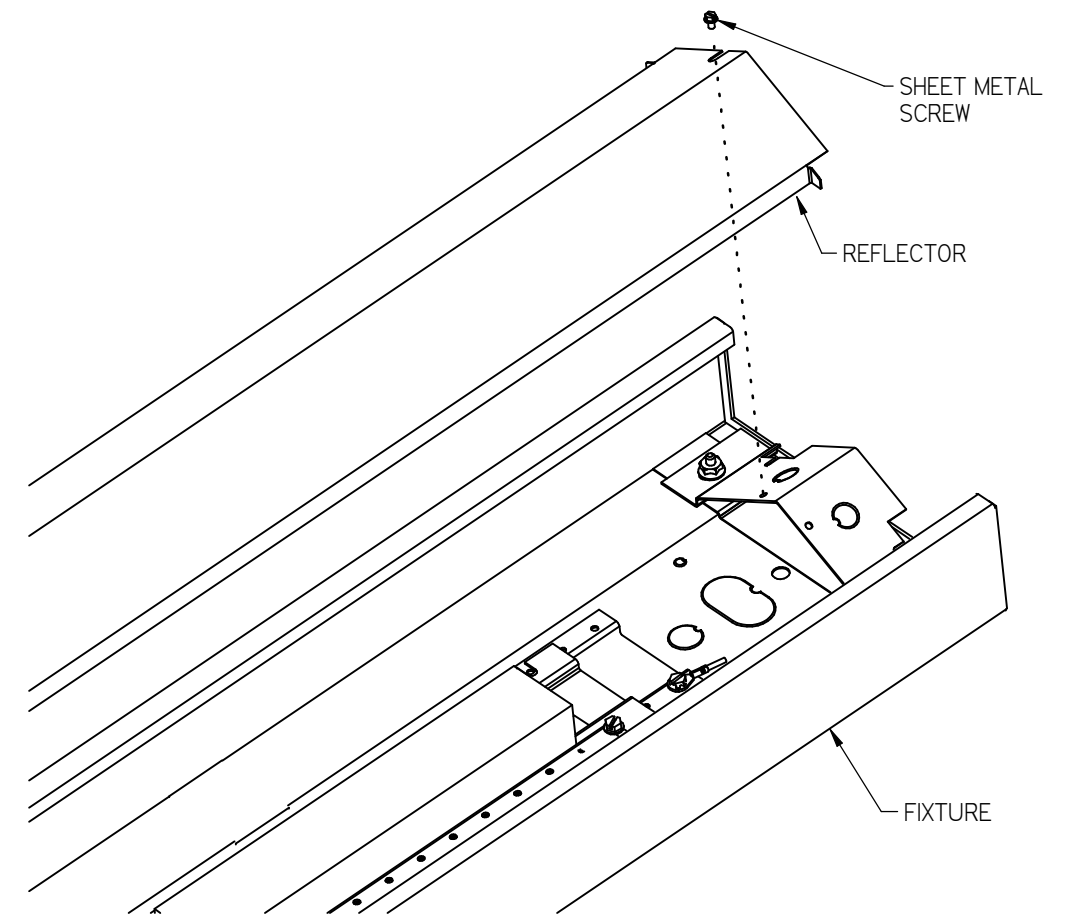


**P-S/D-7200
PENDANT MOUNTED**

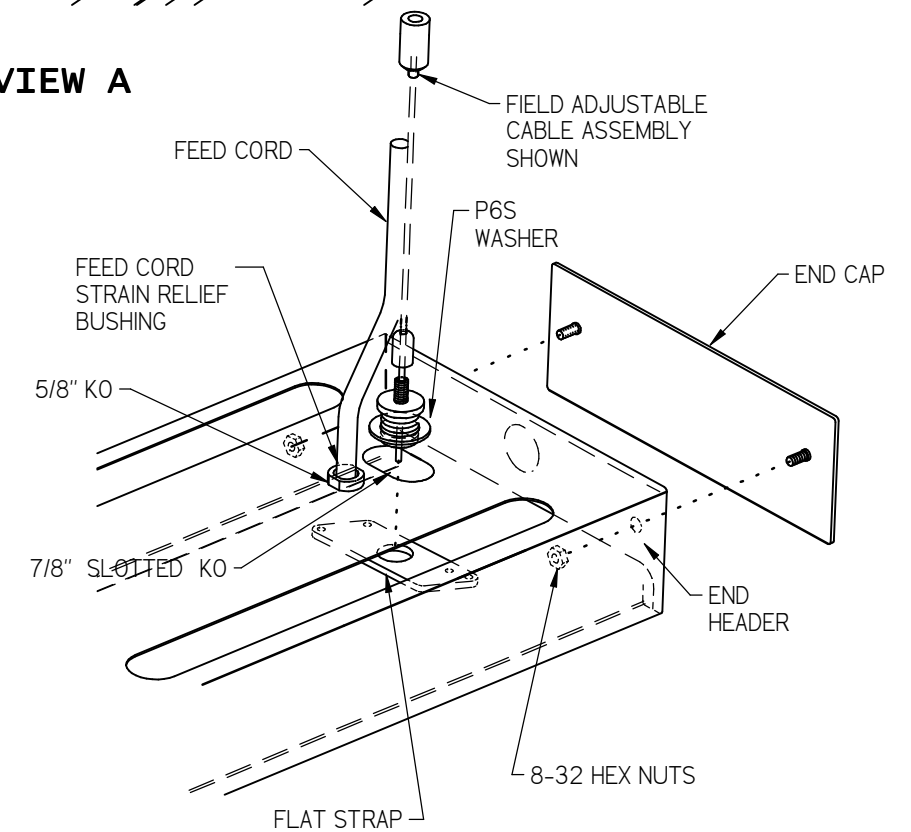


FOR STEM OR CABLE MOUNTING
 ○ = 5/8" FEED CORD KO'S
 ◯ = 7/8" SLOTTED KO'S FOR CABLE OR STEMS

PLAN VIEW



VIEW A



VIEW B

GENERAL NOTES: (READ SHEETS COMPLETELY BEFORE STARTING)

1. Leave protective wrapping material on fixture until fixtures are mounted: This will protect finish from damage.
2. Fixtures are supplied with factory installed branch circuit wiring. Refer to supplemental instruction sheet for making connections.
3. Approximate weight of fixture is 3 lbs per foot of length.

INSTRUCTIONS:

1. Remove Reflector(s) from fixture by removing (2) sheet metal screws and lifting reflector out. See View "A".
2. **MOUNTING INDIVIDUAL FIXTURES:** (2) pendants are required for mounting each fixture.
 - A) Remove correct knockouts in top of housing as shown in Plan View above. Stem mounting does not require the removal of the 5/8" KO's. Electrical feed may be brought thru the stems. Refer to Views "B" or "C".
 - B) Mount End Caps (shipped separately) to both ends of fixture with (2) 8-32 nuts as shown. Refer to View "B". Before tightening nuts, position End Caps so they are flush with sides of fixture.
 - C) **For CABLE OR STEM MOUNTING:** Refer to instruction sheet shipped with Cables and Stems for attachment at ceiling. Mount Cable or Stems thru 7/8" slotted ko's and secure with Flat Strap. Raise fixture up to ceiling and attach to Canopy hardware. Attach Strain Relief to Feed Cord and insert bushing into 5/8" ko. Level Fixture by adjusting Stem locknuts or Cable grippers side to side.
 - D) Make electrical connections in fixture wireway.

GO TO STEP 5 ON PAGE 2

**INSTALLATION
INSTRUCTIONS**

**P-S/D-7200
FIXTURE**

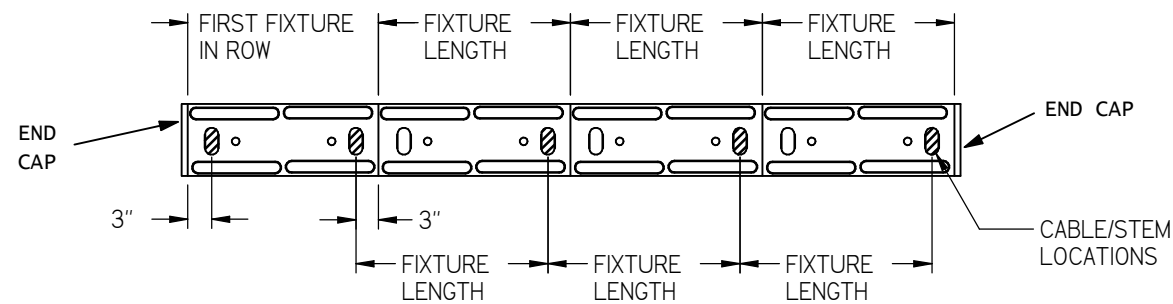
FIXTURE TYPE _____

P/C **510489-2000**

DATE: 9-27-06

PG. 2 OF 2

DO NOT MODIFY OR ALTER THIS PRODUCT IN ANY WAY, OR INSTALL IN ANY FASHION WHICH IS CONTRARY TO THE INSTRUCTIONS CONTAINED HEREIN. IF YOU HAVE ANY QUESTIONS REGARDING THIS PRODUCT OR THE INSTALLATION OF IT, PLEASE CALL LITECONTROL ENGINEERING AT 781-294-0100.



PLAN VIEW FOR ROW MOUNTED FIXTURES

3. MOUNTING ROWS OF FIXTURES:

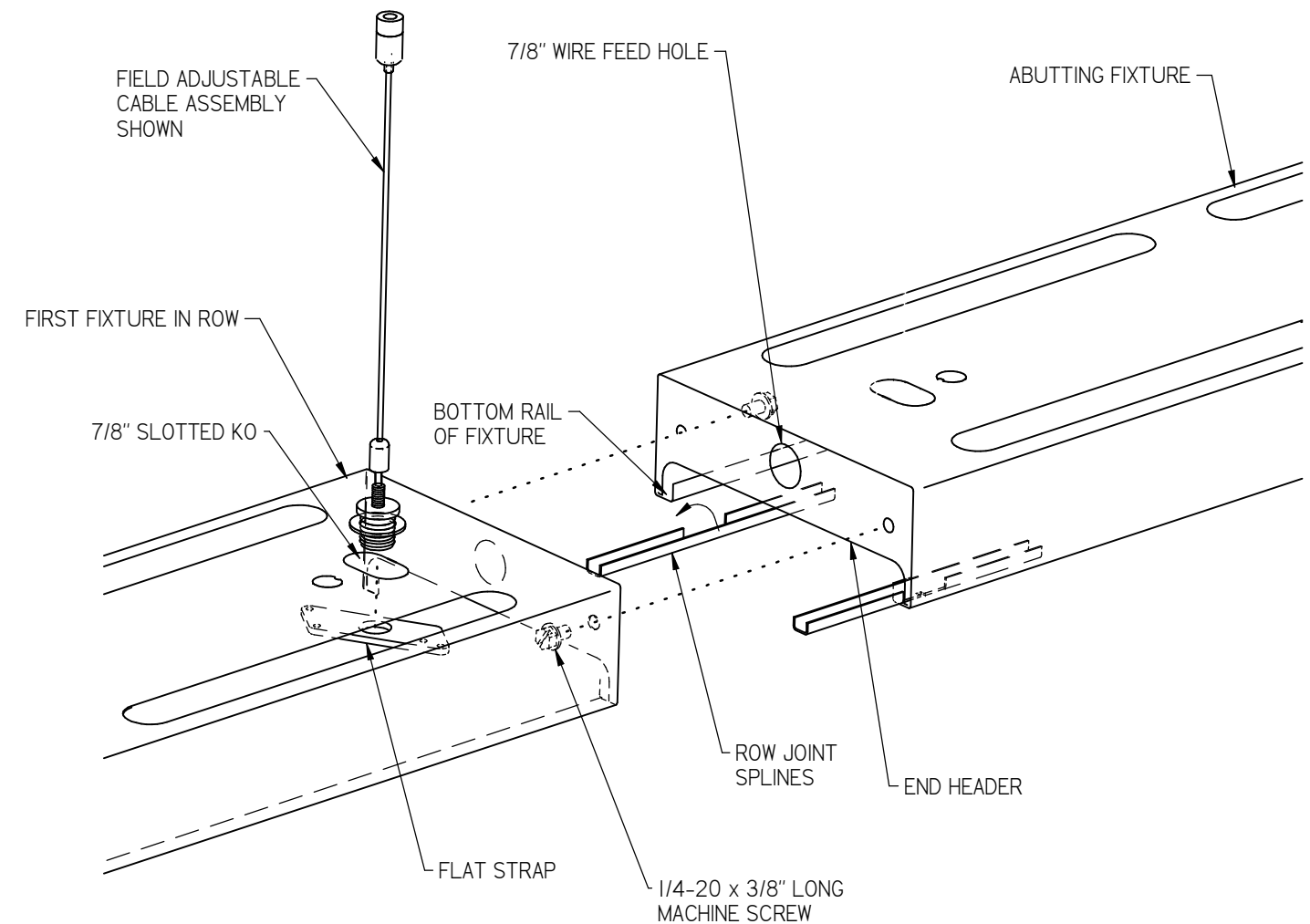
NOTE: Fixtures are installed connected to each other at row joint per steps below.

- A) Refer to Plan View above and on page 1 for locations of ko's that require removal for each fixture. Non-feed Cable/Stem mounted fixtures do not require removal of 5/8" KO's.
- B) Starting with the first fixture in row, attach an End Cap to one end of fixture per step 2B.
- C) Lift and install first fixture to ceiling per step 2C.
- D) Remove the appropriate 7/8" slotted KO in the top of the next fixture in the row as shown above and attach (1) Cable or Stem. Lift fixture up and mount to canopy hardware or anchor stud: See View "C". Loosely bolt this fixture to the first fixture at row joint with (2) 1/4-20 x 3/8" long machine screws. Branch circuit wires can be brought thru 7/8" holes in end headers at each row joint.
- E) Press a Spline (found in polybag) into each bottom rail at row joint for alignment.
- F) Level each fixture and align seams at row joint before tightening all screws.
- G) Repeat steps 3D, 3E, & 3F for each additional fixture in row. Install another End Cap onto the last fixture in the row before installing to ceiling.

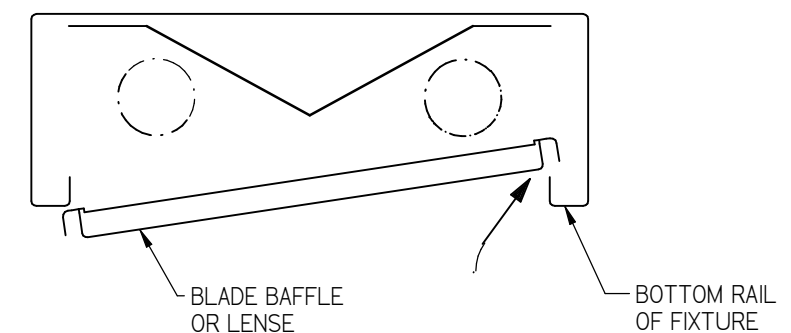
4. Make all wiring connections in fixture wireways.
5. Replace all Reflector(s) and remove all wrapping material.
6. Clean fixture exteriors with a general window cleaner and install lamps (by others). Install T5 or T5HO lamps by inserting lamp pins into sockets and rotating lamp 90 degrees to lock in place. Install T8 lamps by inserting lamp pins straight into sockets until seated.

7. DIFFUSER INSTALLATION: Use caution when installing diffusers to prevent lamp damage.

LENSES and BLADE BAFFLES are shifted into fixture opening and rest on top of bottom rails. Lenses are installed with the smooth side up.



**VIEW C
ROW JOINT ASSEMBLY**



DIFFUSER INSTALLATION