

**INSTALLATION
INSTRUCTIONS**

PART
NO. 510342-2000

FIXTURE TYPE _____

WALL BRACKET
W-AI-5600
W-AI-9600

PG. 1
OF 2

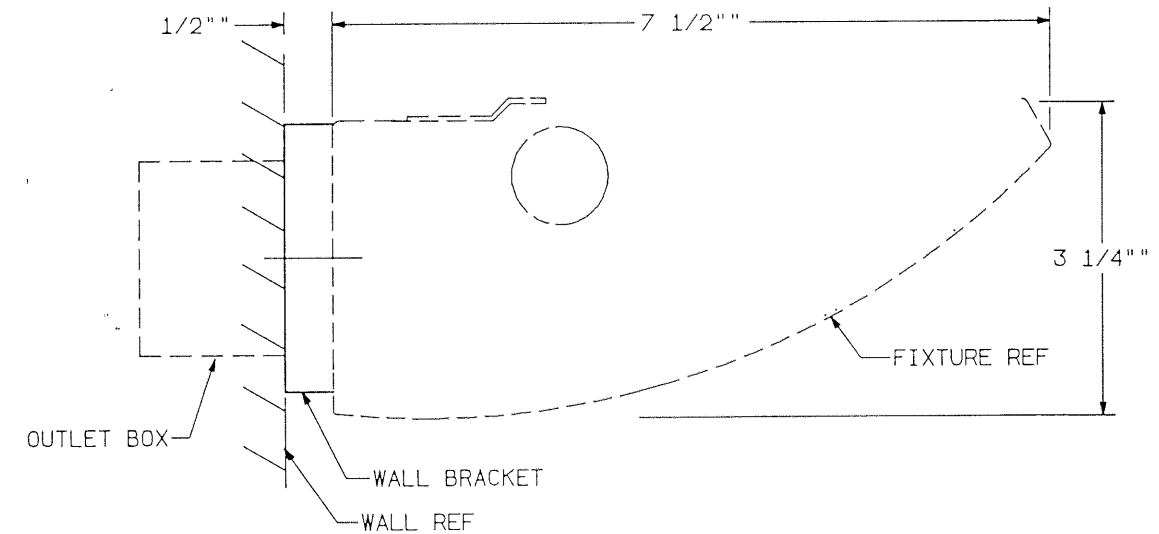
DO NOT MODIFY OR ALTER THIS PRODUCT IN ANY WAY, OR INSTALL IN ANY FASHION WHICH IS CONTRARY TO THE INSTRUCTIONS CONTAINED HEREIN. IF YOU HAVE ANY QUESTIONS REGARDING THIS PRODUCT OR THE INSTALLATION OF IT, PLEASE CALL LITECONTROL ENGINEERING AT 781-294-0100.

NOTES:

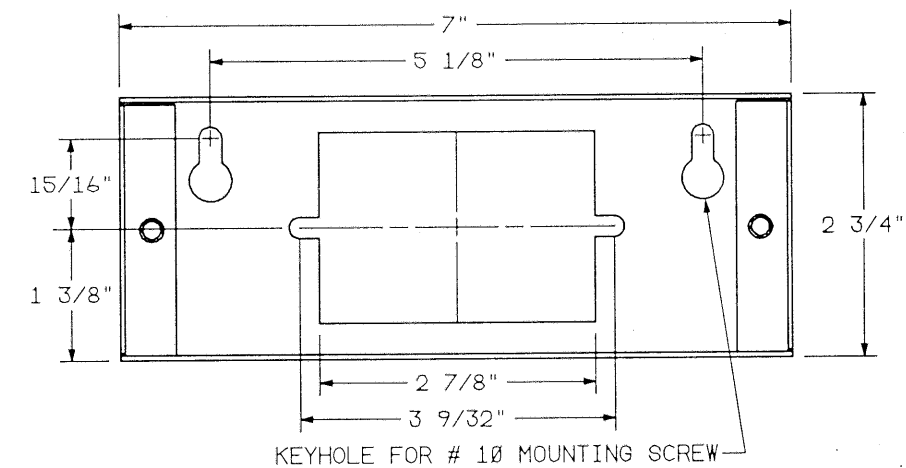
REFER TO FIXTURE INSTALLATION INSTRUCTIONS FOR LOCATIONS OF WALL BRACKETS.

INSTRUCTIONS:

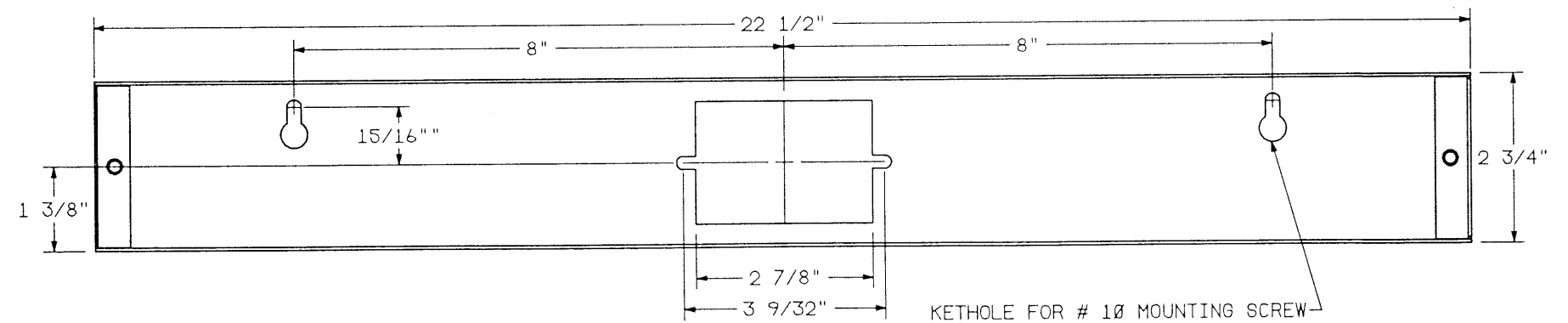
1. MARK A STRAIGHT LINE ON MOUNTING WALL AT CORRECT HEIGHT. CAREFULLY PRE-POSITION BRACKETS ON WALL AT CORRECT DISTANCES FROM EACH OTHER AND MARK LOCATIONS OF MOUNTING HOLES.
2. WHEN ATTACHING WALL BRACKET TO AN OUTLET BOX USE EITHER A 2" X 4" HANDY BOX OR A 4" OUTLET BOX WITH A PLASTER RING MOUNTED HORIZONTALLY. NOTE: OUTLET BOX MUST BE ADEQUATELY ATTACHED TO STRUCTURE FOR SUPPORTING FIXTURE WEIGHT.
3. MOUNT THE FIRST AND LAST WALL BRACKET IN A ROW OF FIXTURES THRU #10 KEYHOLES. USE CORRECT ANCHORING TO INSURE THAT FIXTURE WILL NOT PULL AWAY FROM WALL WHEN ATTACHED. RUN A STRING BETWEEN THESE TWO BRACKETS AND MOUNT ALL OTHER BRACKETS BETWEEN THEM MAKING SURE THAT THEY ARE "FLUSH" WITH STRING. IF REQUIRED USE SHIM(S) (SUPPLIED BY CONTRACTOR) BETWEEN WALL SURFACE AND BACK OF BRACKETS. SEE VIEWS ON PAGE 2.
4. MOUNT FIXTURE TO WALL BRACKETS WITH FENDER WASHERS AND FLANGE NUTS SHIPPED WITH BRACKETS.



END VIEW



WALL BRACKET FOR NOMINAL
3', 4', 6', 8', & 12' LENGTH FIXTURES



WALL BRACKET FOR 2' LENGTH FIXTURES

LITECONTROL

100 HAWKS AVENUE - PO BOX 100 - HANSON MA 02341, (781-294-0100)

INSTALLATION INSTRUCTIONS

PART NO. 510342-2000

FIXTURE TYPE _____

WALL BRACKET
W-AI-5600
W-AI-9600

PG. 2
OF 2

DO NOT MODIFY OR ALTER THIS PRODUCT IN ANY WAY, OR INSTALL IN ANY FASHION WHICH IS CONTRARY TO THE INSTRUCTIONS CONTAINED HEREIN.
IF YOU HAVE ANY QUESTIONS REGARDING THIS PRODUCT OR THE INSTALLATION OF IT, PLEASE CALL LITECONTROL ENGINEERING AT 781-294-0100.

NOTE: FIXTURE REFLECTOR'S AND INTERNAL COMPONENTS ARE NOT SHOWN FOR CLARITY PURPOSES.

