

**INSTALLATION
INSTRUCTIONS**

PART
NO. **510399-1000**

FIXTURE TYPE _____

**CORNER WIRING KIT
WKC/WP
CC-AI-2500/3000**

PG. 1
OF 1

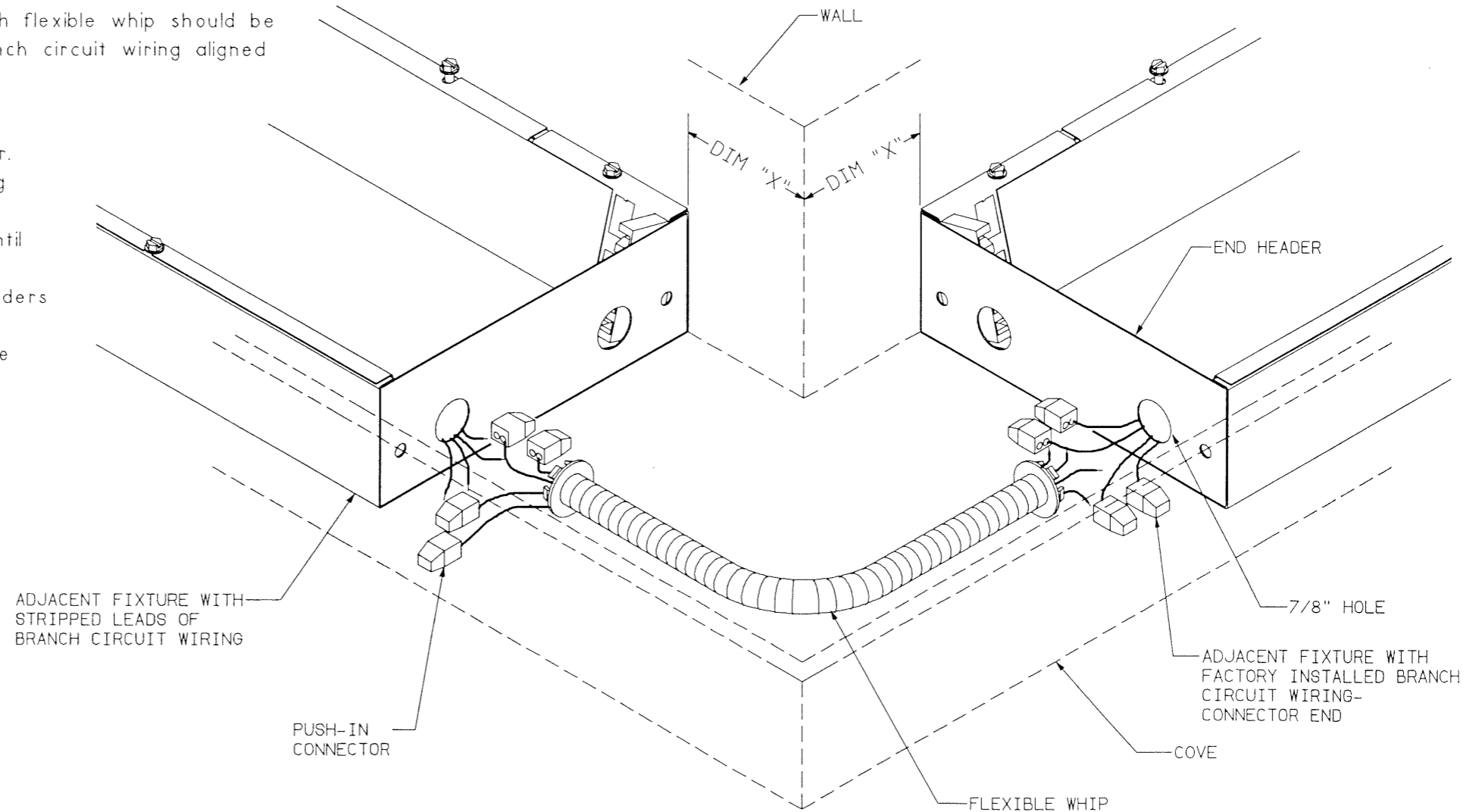
DO NOT MODIFY OR ALTER THIS PRODUCT IN ANY WAY, OR INSTALL IN ANY FASHION WHICH IS CONTRARY TO THE INSTRUCTIONS CONTAINED HEREIN.
IF YOU HAVE ANY QUESTIONS REGARDING THIS PRODUCT OR THE INSTALLATION OF IT, PLEASE CALL LITECONTROL ENGINEERING AT 781-294-0100.

GENERAL NOTES:

- A) This instruction sheet is used with installation instructions for the CC-AI-2500 (#510379) and CC-AI-3000 (#510392) fixtures.
- B) The maximum distance that fixtures can be from corner (Dim "X") is 15" for inside corners and 6" for outside corners measured along wall as shown.
- C) Flexible whips are 21" long with wire leads extending 6" out from both ends. Whips are supplied with push in connectors attached to leads at one end and stripped wire leads at opposite end. Adjacent Fixtures that are being connected with flexible whip should be positioned as shown with factory installed branch circuit wiring aligned to mate with wire leads on whip.

INSTRUCTIONS:

- 1. Position adjacent fixtures against wall near corner.
- 2. Make wiring connections from branch circuit wiring to flexible whip by inserting stripped wire leads into their respective color coded connectors until seated. Cap all unused leads. Push connectors back into 7/8" holes in end headers and snap ends of whip into 7/8" holes.
- 3. Use tie wraps to keep whip from flexing up if the conduit needs to be curled up within corner.



OUTSIDE CORNER SHOWN

LITECONTROL

100 HAWKS AVENUE - PO BOX 100 - HANSON MA 02341, (781-294-0100)