

INSTALLATION INSTRUCTIONS

P/C 510160-3000

Fixture Type

Wall/Slot 85N

Corner Kits (IC, OC, AIC, AOC)

Do not modify or alter this product in any way, or install in any fashion which is contrary to the instructions contained herein. If you have any questions regarding this product or the installation of it, please call Litecontrol Engineering at 781-294-0100.

NOTE: Fixture shields abutting corners should not be installed.

Instructions:

1. Measure ceiling opening from end fixture to corner of wall per Dimensions "A", "B", "C", or "D".
- 2.a. Cut pieces of gasket strip to match Dim's "A, B, C or D". Peel off adhesive backings and apply to support rails.
- b. Snap plug buttons into 7/8" hole of both end headers.

NOTE: Do not route flex feed thru end headers or it may interfere with installation of filler plates.

3.a. Trim side legs of U-angle frames to following lengths:

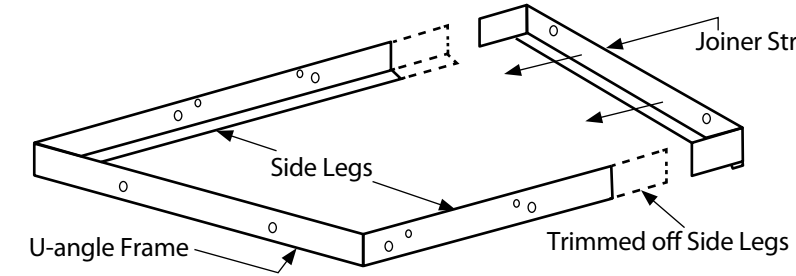
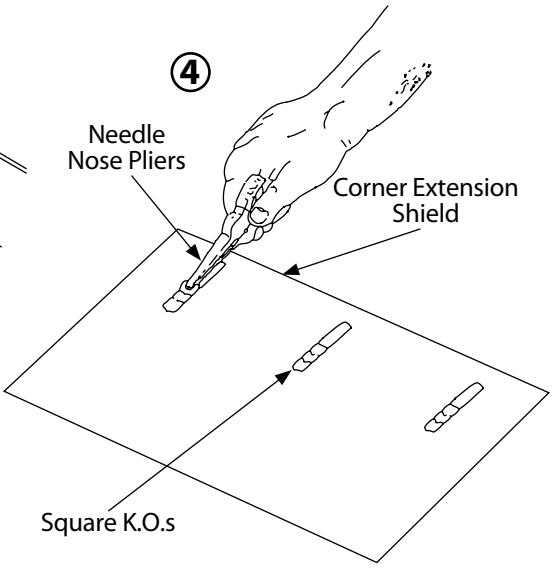
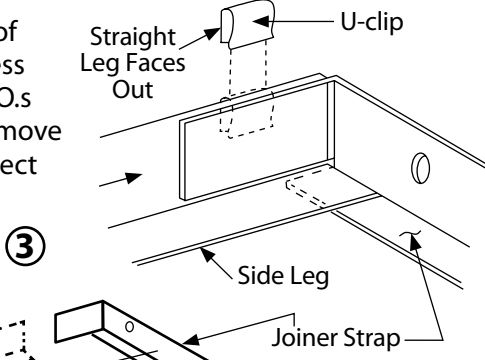
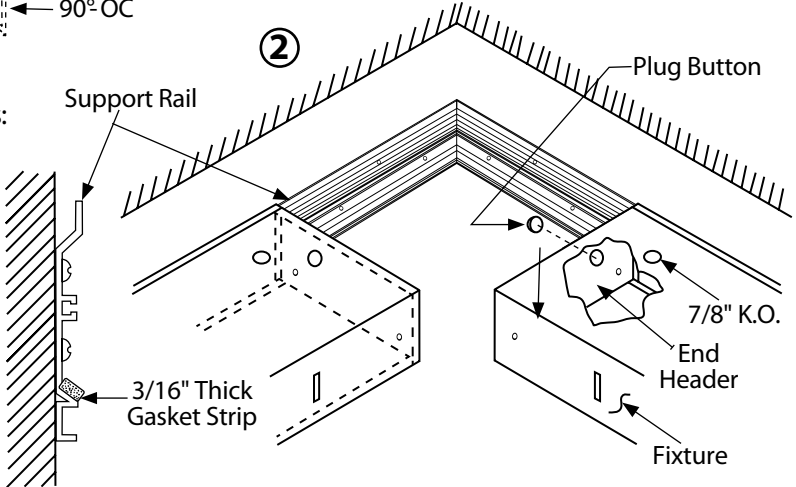
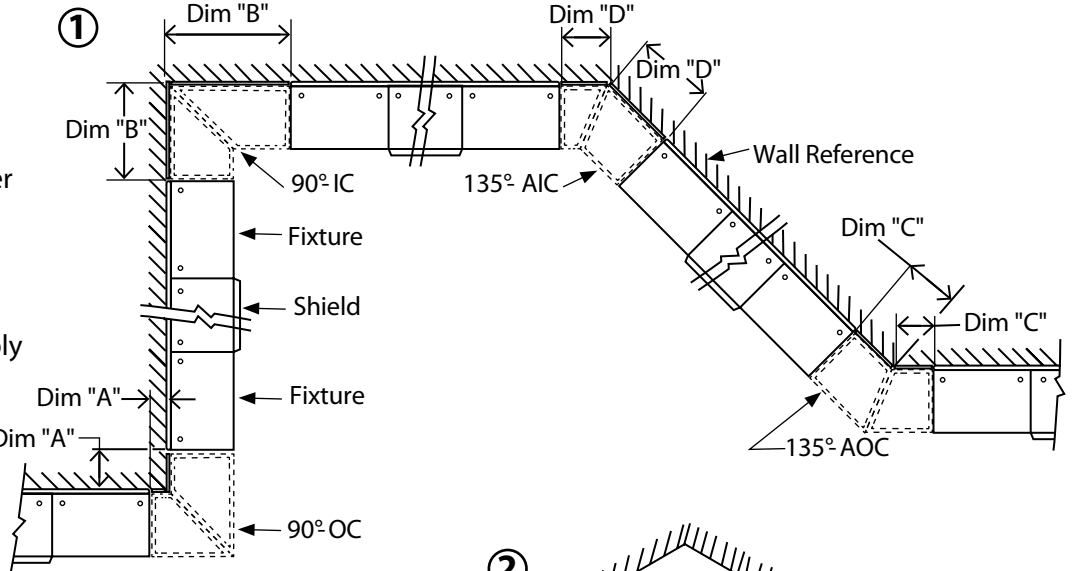
- For 90°-OC: Dim "A" plus 9/16"
- For 90°-IC: Dim "B" minus 11/16"
- For 135°-AOC: Dim "C" plus 3/16"
- For 135°-AIC: Dim "D" minus 5/16"

NOTE: The amount of trimmed off side leg is equal on both sides of frame and also the amount that will need to be trimmed off of the filler plates.

- b. Slide joiner straps inside U-angle frames and press U-clips over both pieces until seated (typical both side legs).

4. If the dimension from the top of fixture to bottom of shield is less than 10 1/2" remove square K.O.s in slots of extension shield. Remove only the K.O.s required for correct height adjustment. Each K.O. removed allows for 1/4" deduction in height.

Plan View of Inside Corners (IC) and Outside Corners (OC)



INSTALLATION INSTRUCTIONS

P/C 510160-3000

Fixture Type

Wall/Slot 85N

Corner Kits (IC, OC, AIC, AOC)

Do not modify or alter this product in any way, or install in any fashion which is contrary to the instructions contained herein. If you have any questions regarding this product or the installation of it, please call Litecontrol Engineering at 781-294-0100.

5.a. Attach U-angle assemblies to fixture end headers with (2) #8 x 3/8" long screws and nuts.

b. Attach both U-angle assemblies to each other with (2) plastic dart fasteners.

c. Insert dart fasteners into bottom row of holes on wall side of U-angle frames.

6. Insert corner extension shields into end of row fixture shields.

7.a. Lift fixture shields in behind end of row fixtures so that shield mounting screws protrude into housing slots. Secure with washers and wing nuts provided with fixture shields.

b. Slide extension shields until they butt against each other. Secure to U-angles with dart fasteners.

c. Trim from filler plates the same amount trimmed off side legs of U-angle frame.

d. Lift and shift filler plates into openings and rest on bottom flanges of U-angles.

For "R" and "F" Position Diffusers

1. Mitre-cut lengths of wall angle to match lengths of exposed extension shields. (Wall angle is shipped separately in 96" lengths.)

2. Cut strips of 1/32" thick adhesive-backed tape to match wall angles. Peel off backing on one side of tape and apply to hole side of angles.

3. Peel off opposite backing on tape and apply wall angles to extension shields at same height as fixture shield angles. (Be sure to apply pressure along the entire length of angles to ensure adhesive contact.)

