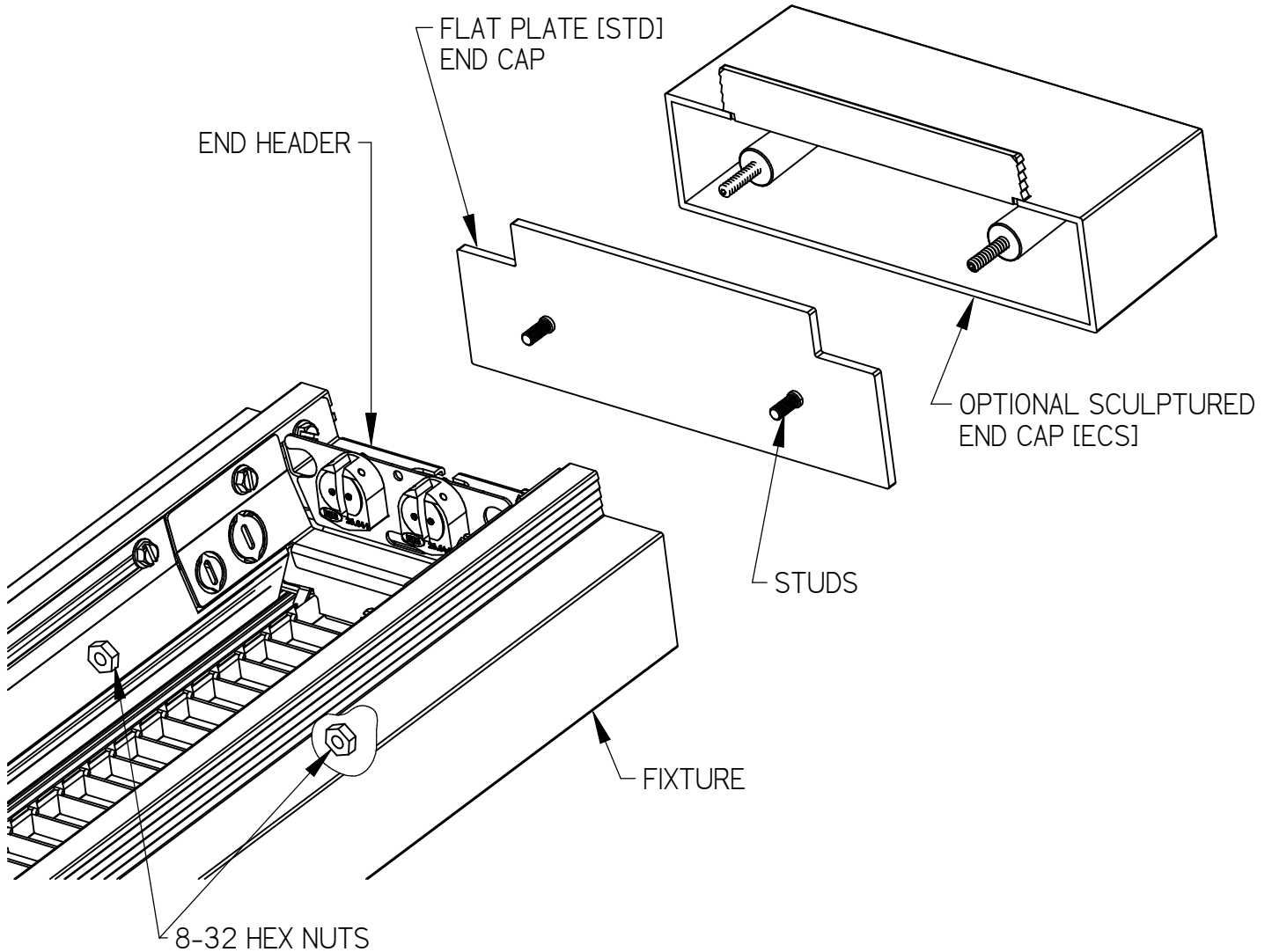


DO NOT MODIFY OR ALTER THIS PRODUCT IN ANY WAY, OR INSTALL IN ANY FASHION WHICH IS CONTRARY TO THE INSTRUCTIONS CONTAINED HEREIN. IF YOU HAVE ANY QUESTIONS REGARDING THIS PRODUCT OR THE INSTALLATION OF IT, PLEASE CALL LITECONTROL ENGINEERING AT 781-294-0100.



INSTRUCTIONS:

1. FLAT PLATE END CAPS OR OPTIONAL SCULPTURED END CAPS ARE INSTALLED IN THE SAME MANNER.
2. ATTACH END CAPS TO BOTH ENDS OF AN INDIVIDUAL FIXTURE OR AT EACH END OF A ROW OF FIXTURES BY INSERTING STUDS THRU HOLES IN END HEADER. SECURE END CAP WITH (2) 8-32 HEX NUTS.
3. END CAPS MUST BE FLUSH WITH BOTTOM AND SIDES OF FIXTURE AFTER ASSEMBLY.