

INSTALLATION INSTRUCTIONS

PART NO. 510302-4000

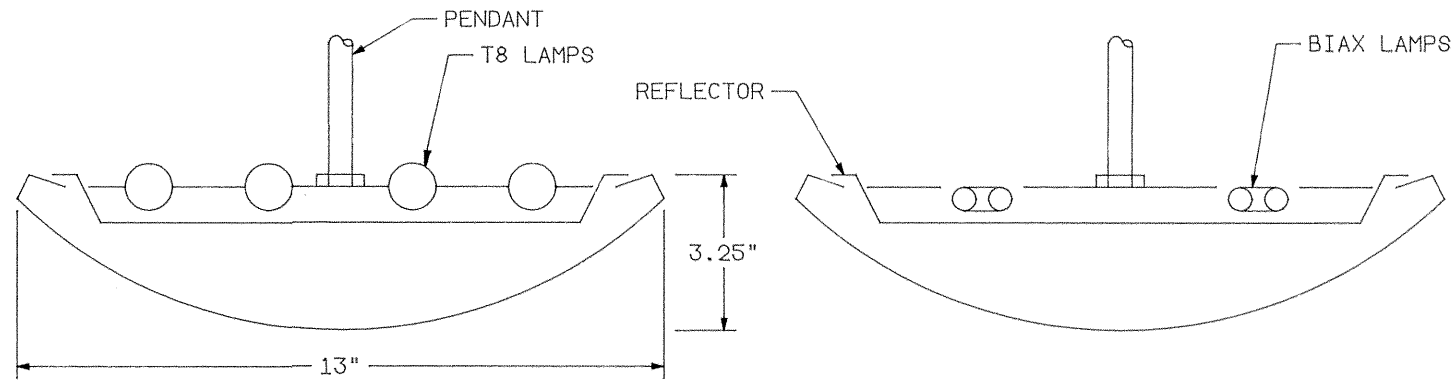
FIXTURE TYPE _____

P-I-5500 CLASSICA

PATENT NO. 363,805

PG. 1 OF 2

DO NOT MODIFY OR ALTER THIS PRODUCT IN ANY WAY, OR INSTALL IN ANY FASHION WHICH IS CONTRARY TO THE INSTRUCTIONS CONTAINED HEREIN. IF YOU HAVE ANY QUESTIONS REGARDING THIS PRODUCT OR THE INSTALLATION OF IT, PLEASE CALL LITECONTROL ENGINEERING AT 781-294-0100.



GENERAL NOTES:

Leaving protective wrapping material on fixtures until they are mounted will help protect finish from damage.

INSTRUCTIONS:

1. Peel back foam wrap from top of fixture and take out Reflectors by removing (4) sheet metal screws.
2. Slide Socket Plates to one side by removing (2) sheet metal screws. This will allow easy access for End Cap attachment and Row mounting fixtures.
3. MOUNTING INDIVIDUAL FIXTURES:

- A) Locate pendants (Stems or Aircraft Cables) along a straight line in ceiling per dimensions shown in Elevation View above.
- B) Remove a 5/8" KO in Support Bracket for wire feed if Aircraft cables are used to hang fixture, or feed may be run inside Stems when they are used; SEE FIGURE "A".
- C) Thread a locknut and a Flat Strap onto Stem or Cable Stud and slide Strap underneath Support Bracket. Fasten Strap to Bracket with (1) #8-32 x 3/8" long Machine Screw. Repeat this step at opposite end of fixture.
- D) Lift fixture up and mount pendants to ceiling. Bring wire feed into fixture wireway and make connections.
- E) Attach an End Cap (shipped separately) to both ends of fixture by inserting studs thru holes in End Header and securing with (4) 8-32 hex nuts. Make sure inside edge of cap is flush with bottom of edge of fixture.
- F) Level fixture up or down by threading Stems or Cable Studs into Flat Straps. Level fixture horizontally by sliding Flat Straps from side to side. Tighten all locknuts and machine screws after fixtures are level.

GO TO STEP 7 ON PAGE 2.

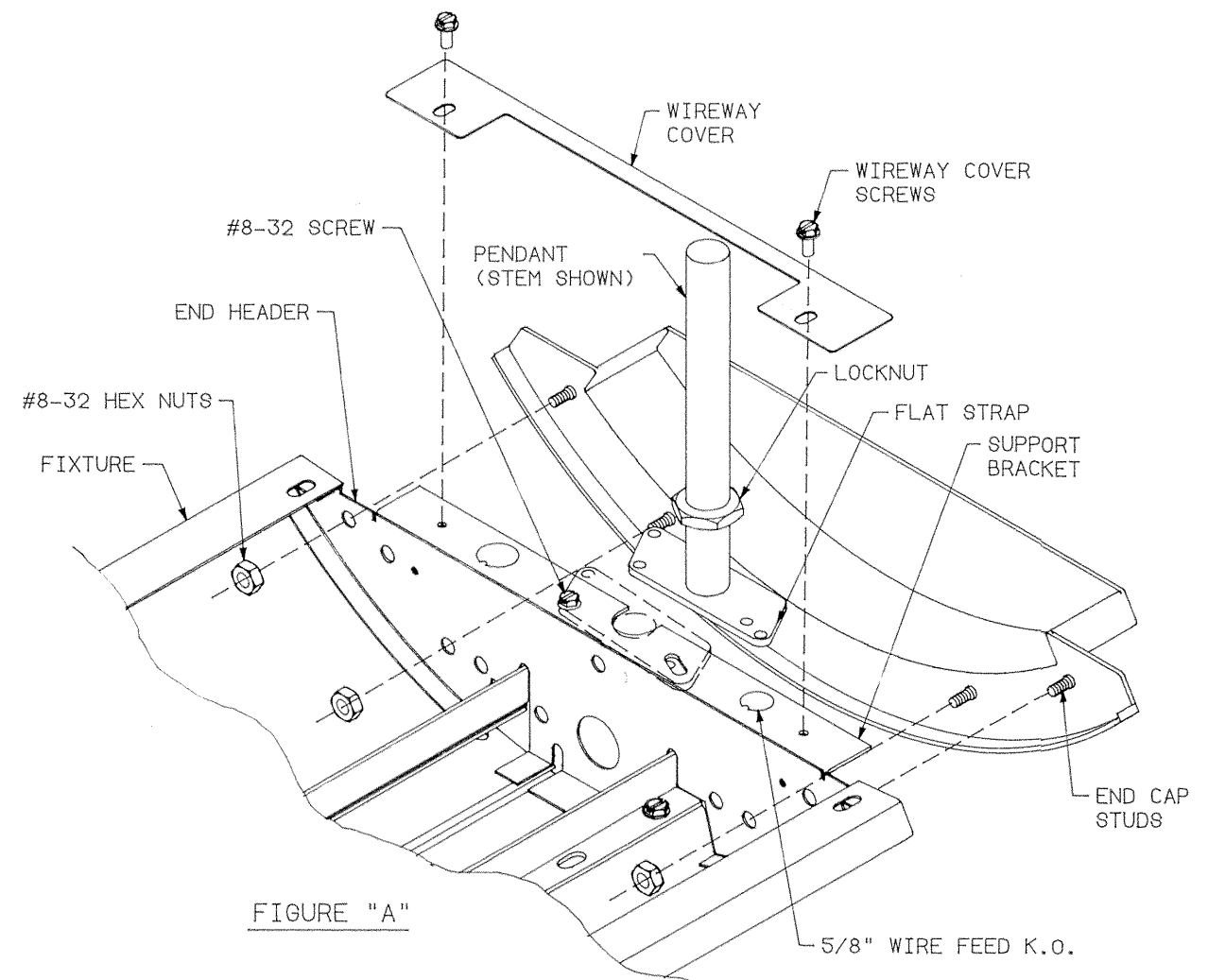
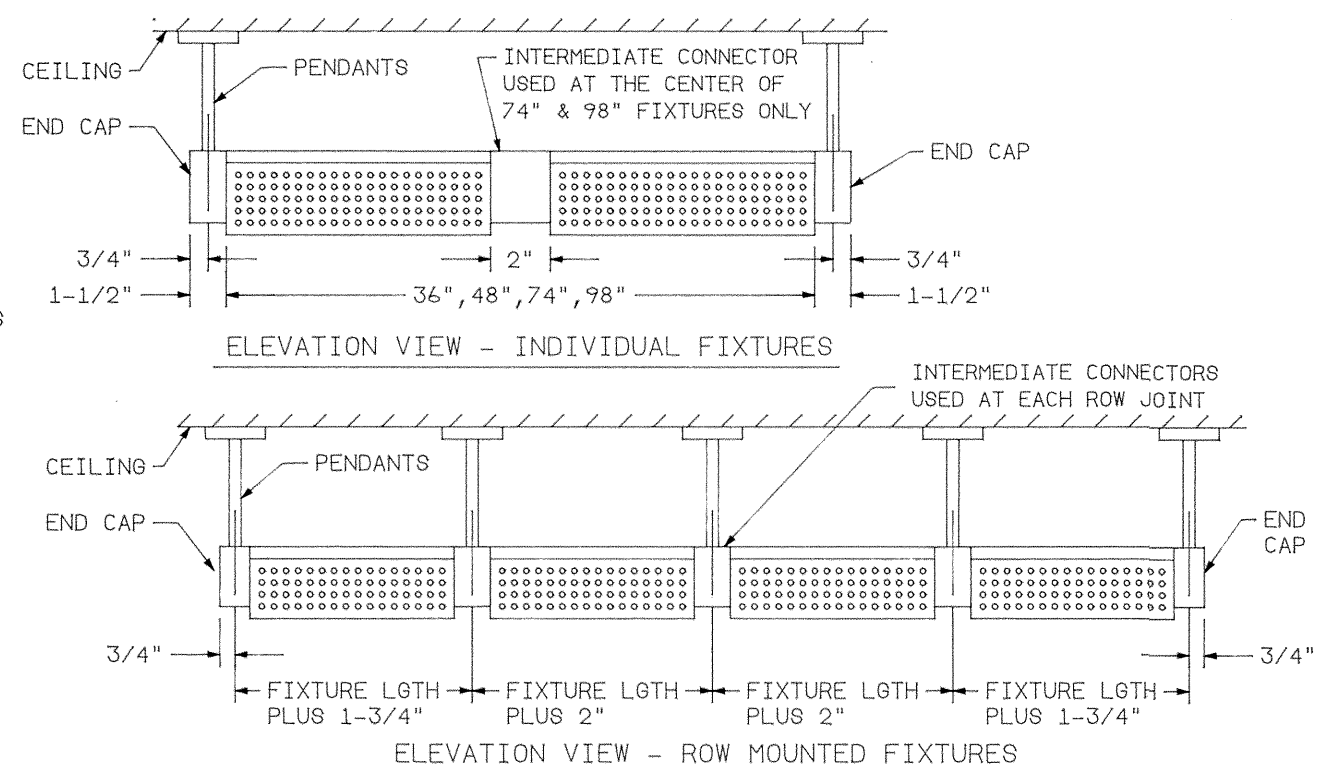


FIGURE "A"

LITECONTROL

100 HAWKS AVENUE - PO BOX 100 - HANSON MA 02341, (781-294-0100)

**INSTALLATION
INSTRUCTIONS**

FIXTURE TYPE _____

**P-I-5500
CLASSICA**

PATENT NO. 363,805

PART NO. 510302-4000

PG. 2
OF 2

DO NOT MODIFY OR ALTER THIS PRODUCT IN ANY WAY, OR INSTALL IN ANY FASHION WHICH IS CONTRARY TO THE INSTRUCTIONS CONTAINED HEREIN.
IF YOU HAVE ANY QUESTIONS REGARDING THIS PRODUCT OR THE INSTALLATION OF IT, PLEASE CALL LITECONTROL ENGINEERING AT 781-294-0100.

INSTRUCTIONS (con't):

4. ROW MOUNTING FIXTURES:

- A) Locate pendants (Stems or Aircraft Cables) along a straight line in ceiling per dimensions shown in Elevation View on page 1. Refer to Pendant Instructions shipped separately.
 - B) Starting with a fixture at end of row, attach a Flat Strap, Locknut and Pendant underneath Support Bracket per Step 3C. Mount an End Cap to both end of row fixtures per step 3E.
 - C) Remove a 5/8" KO in Support Bracket for wire feed if Aircraft cables are used to hang fixture, or feed may be run inside Stems when they are used;
 - D) At opposite end of this fixture, loosely mount a Flat Strap underneath the Support Bracket with (1) #8-32 x 3/8" long Machine Screw. See Fig. B. Position Flat Strap so that it projects out from end of fixture.
 - E) Mount an Intermediate Connector (shipped separately) to fixture End Header per instruction sheet 510304 using (4) 1/4-20 hex nuts. Thread a locknut onto Stem or Cable Stud and thread pendant into Flat strap.
 - F) Lift fixture up and mount pendants to ceiling.
 - G) Attach a Flat Strap, Intermediate Connector, Pendant and Locknut to one end of the next fixture in row per steps D & E.
 - H) Lift the open end of this fixture onto the Flat Strap and Connector of the 1st fixture and attach pendant end to ceiling. Grasp Pendant at the row joint and rotate Flat Strap until diagonal mounting hole aligns underneath Support Bracket slot of 2nd fixture. Secure Flat Strap to Bracket with (1) #8-32 x 3/8" long machine screw. Secure Intermediate Connector to End Header of 2nd fixture with (4) 1/4-20 hex nuts.
 - J) Level fixture up or down by threading Stems or Cable Studs into Flat Straps. Level fixture horizontally by sliding Flat Straps from side to side. Tighten all locknuts and machine screws after fixtures are level.
 - K) Repeat Steps G, H and J for each additional fixture in Row.
5. Wire feed may be brought into adjacent fixtures thru the 7/8" holes in end headers.
 6. Attach Wireway covers to Support Brackets with Sheet Metal Screws.
 7. Replace Socket Plates and Reflector's.
Clean fixture exterior surfaces with a general window cleaner.
 8. Install lamps (supplied by others). Note Biax lamps are installed by inserting lamp pins into socket while rotating lamp downward into lamp clip; See Fig. C.

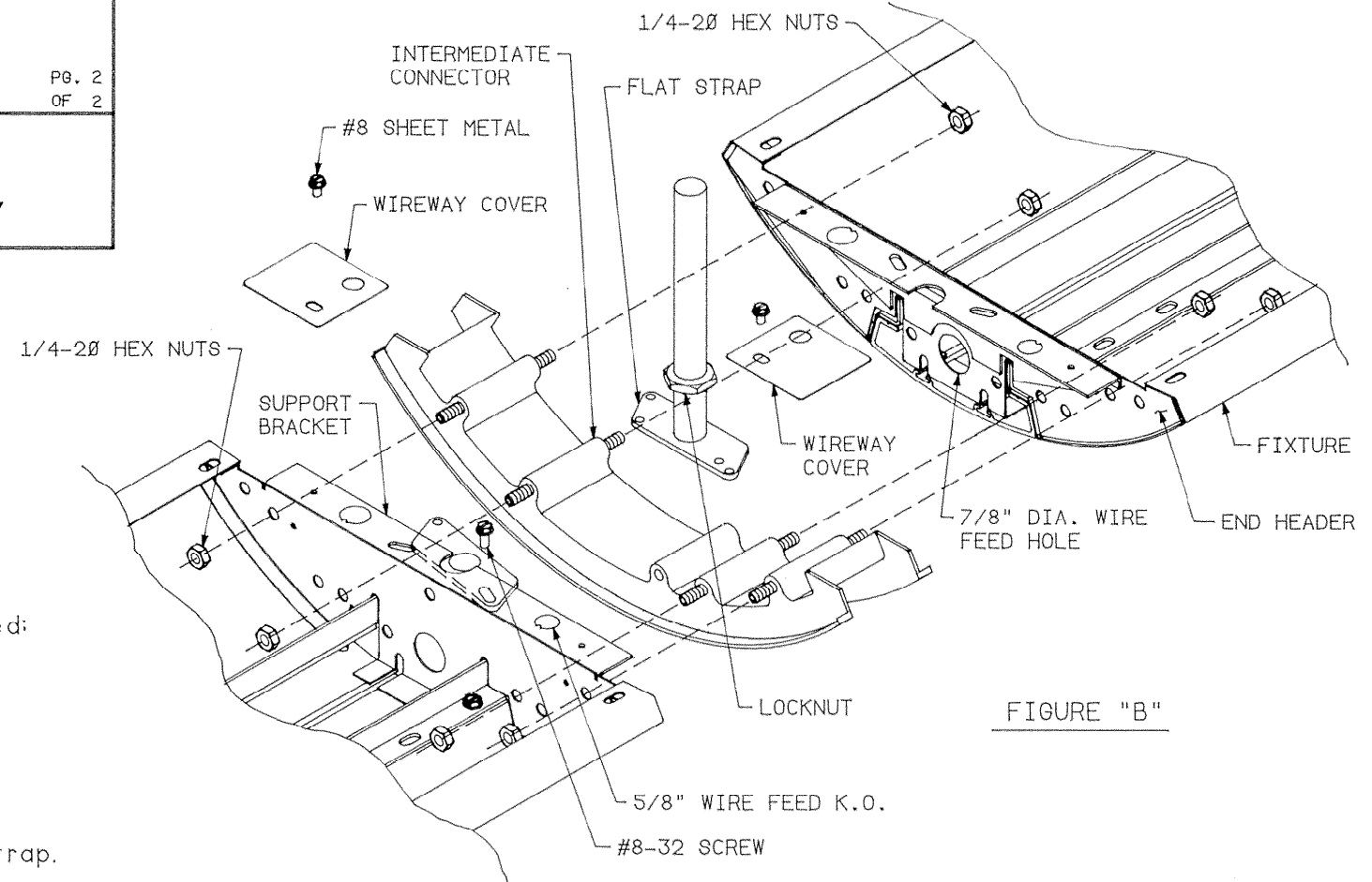


FIGURE "B"

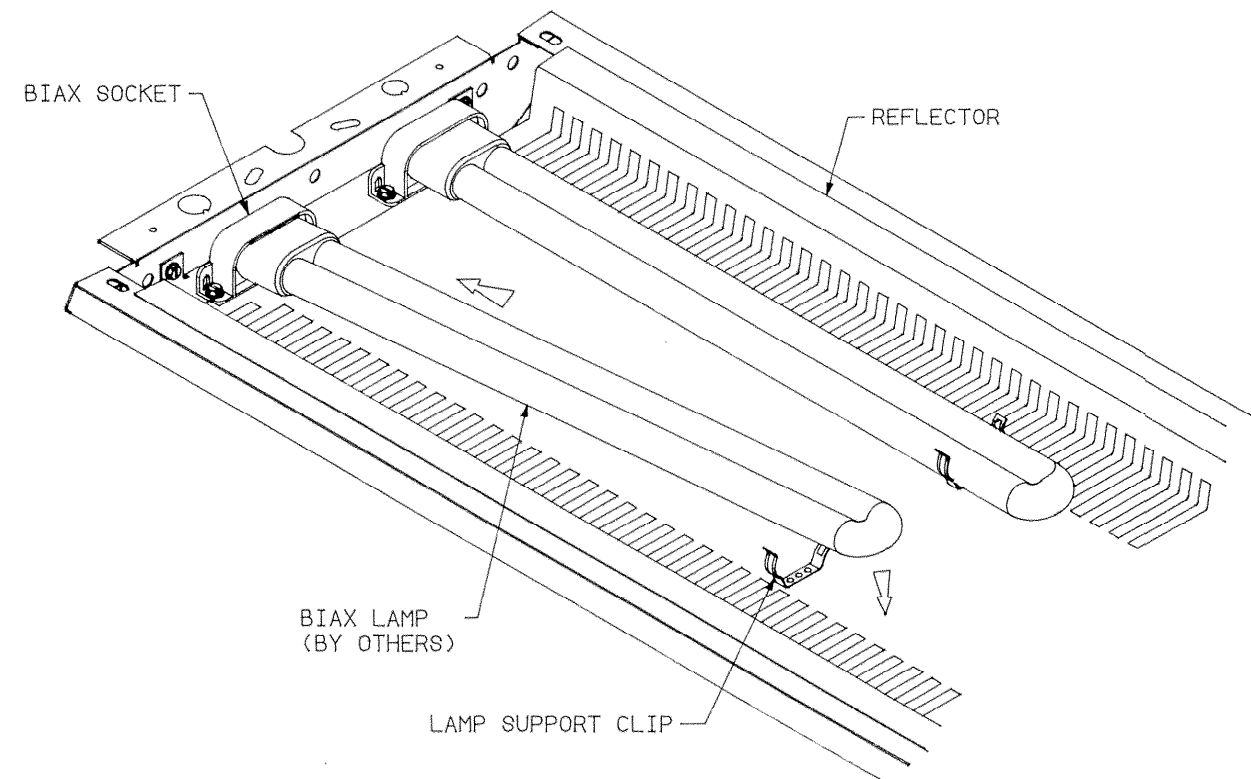


FIGURE "C"

LITECONTROL

100 HAWKS AVENUE - PO BOX 100 - HANSON MA 02341, (781-294-0100)